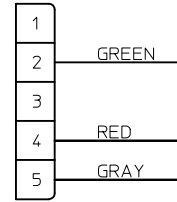
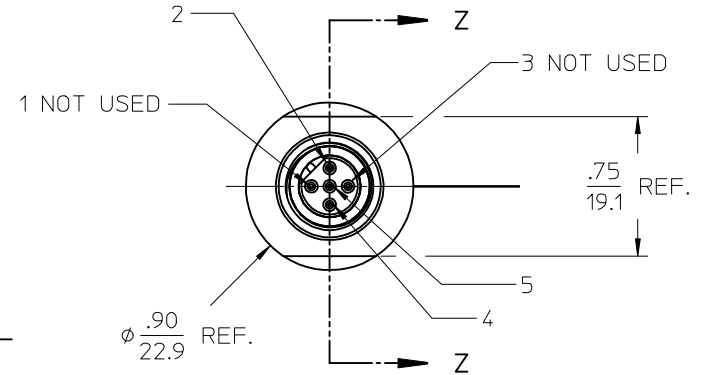
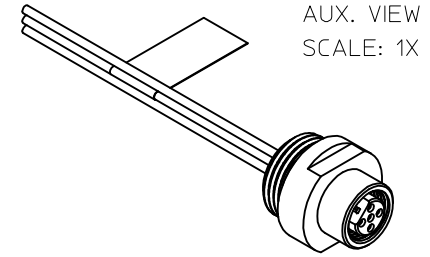
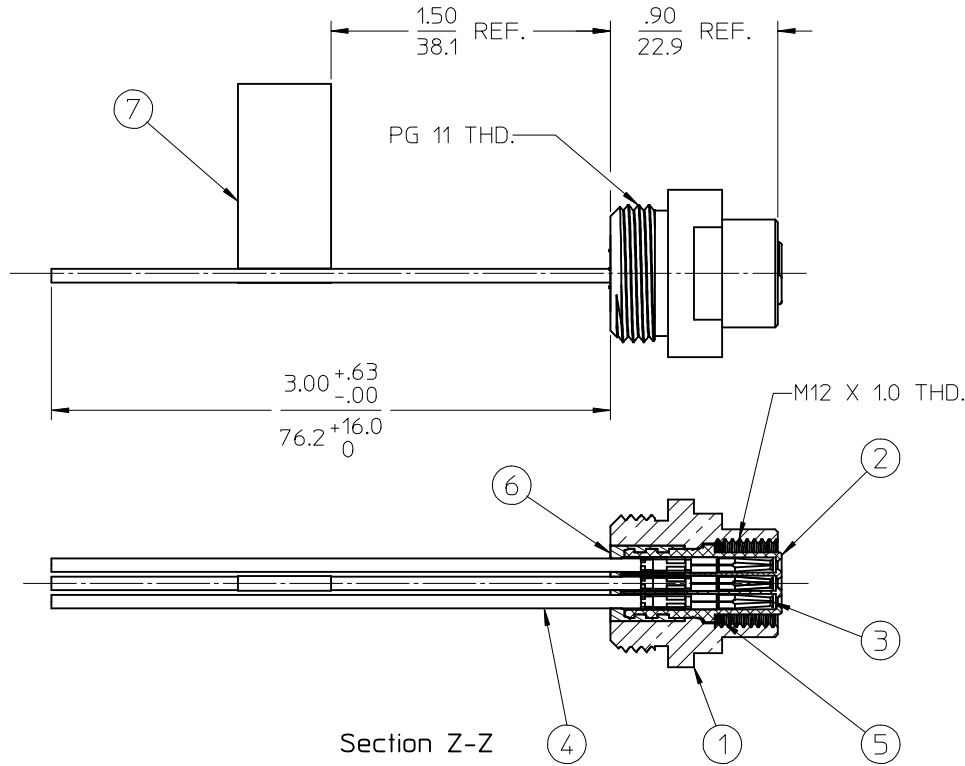


10	9
MATERIAL NO.	ENGINEERING NO.
1200990024	81689-030



WIRING DIAGRAM

- NOTES:
1. MATERIAL: SEE TABLE
 2. FINISHES: SEE TABLE
 3. MATES WITH: MIC, PROFIBUS MALE CABLE
 4. ELECTRICAL SPECIFICATIONS:
VOLTAGE RATING: 250V AC/DC
CURRENT RATING: 4.0 AMPS
 5. ASSEMBLY IS RoHS COMPLIANT

7	1	LABEL	PLASTIC FILM	BLACK/YELLOW
6	1	POTTING	EPOXY	
5	1	O-RING	NITRILE	RED
4	3	WIRE, 22 AWG	PVC INSULATED	SEE WIRE DIAGRAM
3	5	CONTACT SOCKET	Cu ALLOY	GOLD PLATED
2	1	INSERT, 5 POLE	NYLON	BLACK
1	1	RECEPTACLE SHELL	BRASS	NICKEL PLATED
ITEM	QTY.	DESCRIPTION	MATERIAL	FINISH

RELEASED
 EC NO: WNA2010-0145
 DR: W. STONE 2009/08/28
 CHK: B. WOODMAN 2009/08/28
 APPR: J. MURPHY 2009/08/31

QUALITY SYMBOLS
 ▽=0
 ▽=0

GENERAL TOLERANCES (UNLESS SPECIFIED)	
	mm INCH
4 PLACES	± .01 ± .0004
3 PLACES	± .02 ± .0008
2 PLACES	± .03 ± .0012
1 PLACE	± .05 ± .0020
ANGULAR ± 1/2°	
DRAFT WHERE APPLICABLE MUST REMAIN WITHIN DIMENSIONS	

DIMENSION STYLE	
IN/MM	
DRAWN BY	DATE
R. STONE	2009/08/28
CHECKED BY	DATE
B. WOODMAN	2009/08/31
APPROVED BY	DATE
J. MURPHY	2009/08/28
MATERIAL NO.	
SEE CHART	

SCALE	DESIGN UNITS	THIRD ANGLE PROJECTION
1.5:1	INCH	☉
TITLE		
MICRO-CHANGE RECEPTACLE FEMALE, 5 POLE, 3 WIRE PROFIBUS		
MOLEX INCORPORATED		
MATERIAL NO.	DOCUMENT NO.	SHEET NO.
SEE CHART	SD-120099-004	1 OF 1
THIS DRAWING CONTAINS INFORMATION THAT IS PROPRIETARY TO MOLEX INCORPORATED AND SHOULD NOT BE USED WITHOUT WRITTEN PERMISSION		