

Customer Information Sheet

DRAWING No.: M80-5C1XXXXB1 SHEET 2 OF 2

IF IN DOUBT - ASK

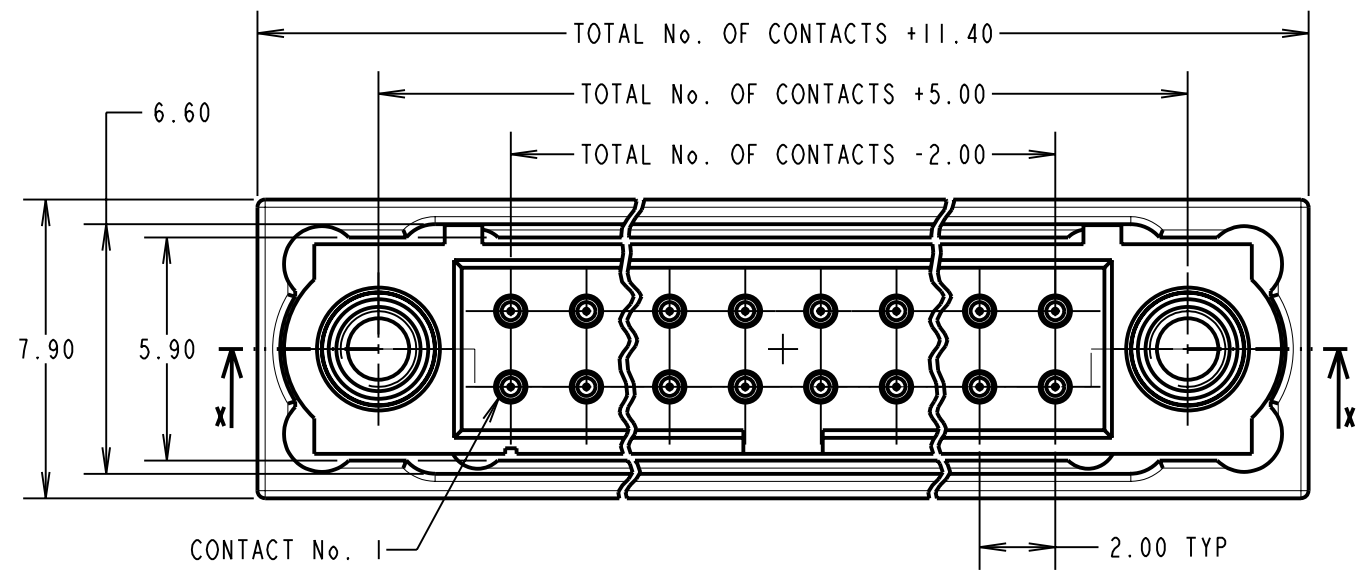
©

NOT TO SCALE

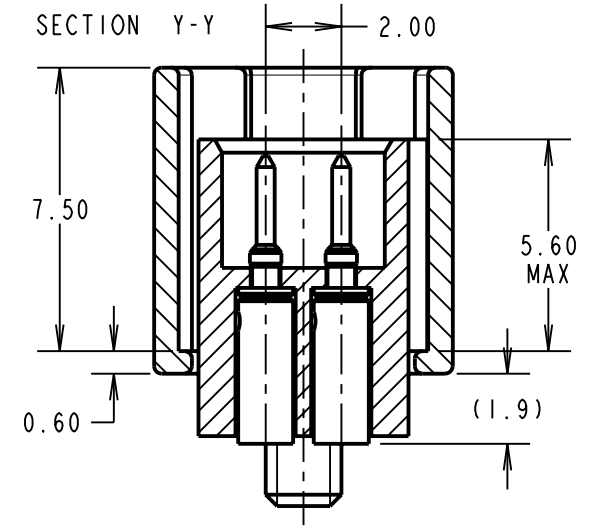
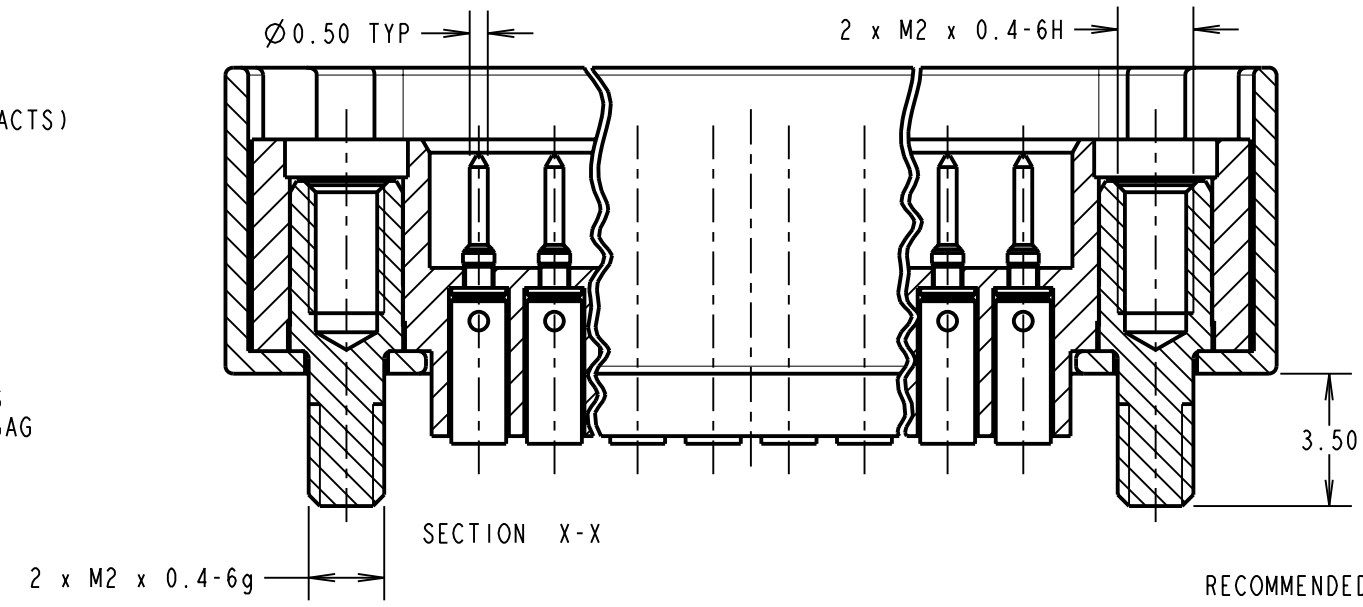
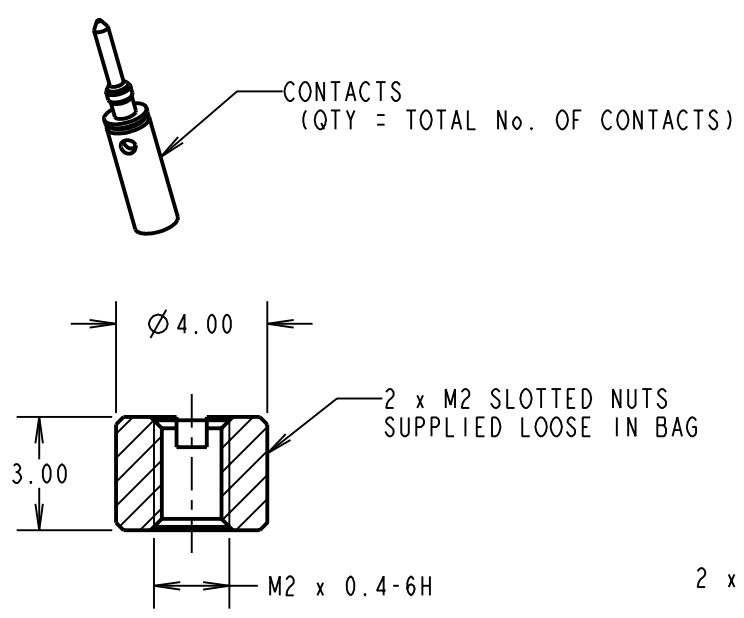
THIRD ANGLE PROJECTION

ALL DIMENSIONS IN mm

SPECIFICATIONS:
MATERIAL:
 Moulding = GLASS-FILLED PPS, UL94V-0, BLACK
 CONTACT = BRASS
 PANEL MOUNT & NUT = STAINLESS STEEL
 BACKSHELL = ALUMINIUM ALLOY
FINISH:
 CONTACT = 0.75µ GOLD ALL OVER
 BACKSHELL = NICKEL
ELECTRICAL:
 RF ATTENUATION = 10 kHz TO 400MHz @ >30 dBs
 IN GENERAL ACCORDANCE WITH MIL STD 1377 (1971)
 CURRENT RATING AT 25°C = 3.0A MAX
 CURRENT RATING AT 85°C = 2.2A MAX
 WORKING VOLTAGE = 120V AC/DC
 VOLTAGE PROOF = 360V AC/DC
 CONTACT RESISTANCE = 25 mΩ MAX
 INSULATION RESISTANCE = 100 MΩ MIN
MECHANICAL:
 DURABILITY = 500 OPERATIONS
ENVIRONMENTAL:
 TEMPERATURE RANGE = -55°C TO +121°C
PACKING:
 SEE NOTES
 FOR COMPLETE SPECIFICATION, SEE COMPONENT SPECIFICATION C005XX (LATEST ISSUE) AND C042XX (LATEST ISSUE)



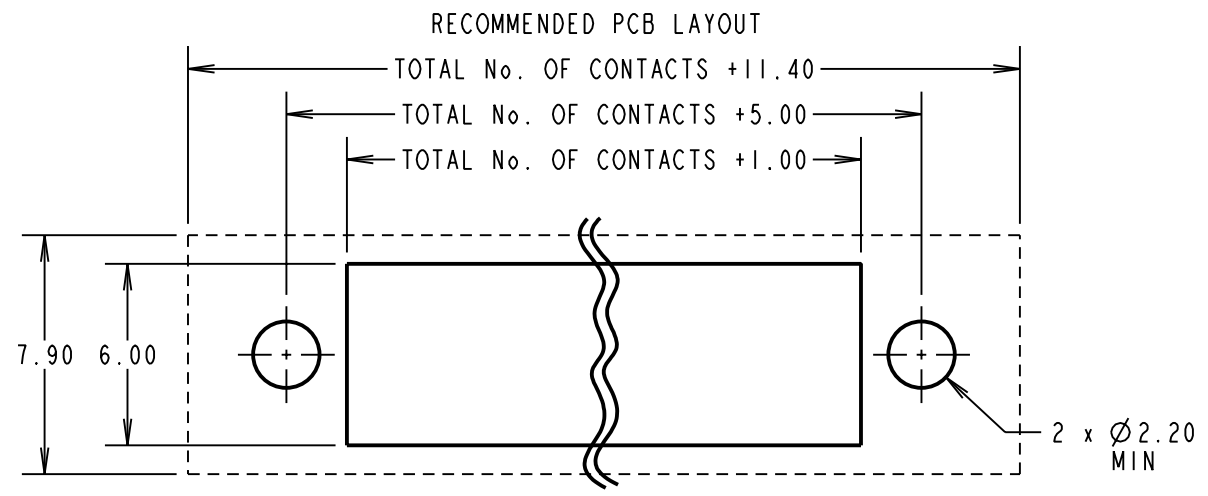
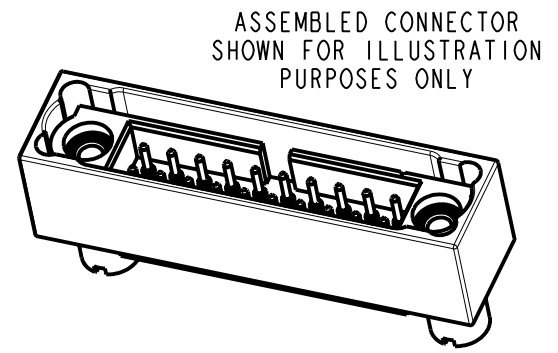
- NOTES:**
- SUPPLIED AS A KIT OF PARTS, CONNECTORS SHOWN ASSEMBLED FOR INFORMATION PURPOSES ONLY.
 - CONNECTORS WITH JACKSCREWS ASSEMBLED, SLOTTED NUTS AND CONTACTS WILL BE SUPPLIED LOOSE IN A BAG, BACKSHELLS WILL BE INDIVIDUALLY BAGGED. KITS WILL BE BULK PACKED INTO BOXES
 - FOR EXTRA CONTACTS, USE PART No: M80-1950005 FOR M80-5C1XX05B1
 - FOR M80-5C1XX05B1 RECOMMENDED WIRE TYPE = BS 3G 210 TYPE A, PTFE INSULATED 24-28 AWG. MAX INSULATION DIAMETER = Ø1.10mm, STRIP WIRE BY 2.00mm.
 - RECOMMENDED HAND CRIMP TOOL FOR ALL CONTACTS = M22520/2-01 WITH POSITIONER Z80-193
 - CONTACT INSERTION AND EXTRACTION TOOL = Z80-280.
 - INSTRUCTION SHEETS ARE AVAILABLE.



ORDER CODE: **M80-5C1XXXXB1**

TOTAL No. OF CONTACTS
06, 10, 14, 20, 26

FINISH CODE
05 - ALL OVER GOLD



EXAMPLE ORDER CODE: CONNECTOR WITH 20 SMALL BORE CONTACTS, ALL OVER GOLD CONTACT.

M80-5C12005B1

SB	4	14.03.11	11172
NAME	ISS.	DATE	C/NOTE
APPROVED: S.BENNETT			
CHECKED: S.FLOWER			
DRAWN: S.FLOWER			
CUSTOMER REF.:			
ASSEMBLY DRG:			

HARWIN			THIS DRAWING AND ANY INFORMATION OR DESCRIPTIVE MATTER SET OUT HEREON ARE CONFIDENTIAL AND COPYRIGHT PROPERTY OF THE HARWIN GROUP AND MUST NOT BE DISCLOSED, LOANED, COPIED OR USED FOR MANUFACTURING, TENDERING OR FOR ANY OTHER PURPOSE WITHOUT THEIR WRITTEN PERMISSION.	TOLERANCES X. = ±1mm X.X = ±0.25mm X.XX = ±0.10mm X.XXX = ±0.01mm ANGLES = ±5° UNLESS STATED	MATERIAL: SEE ABOVE FINISH: SEE ABOVE S/AREA: mm ²	TITLE: DATAMATE J-TEK DIL MALE CRIMP (SMALL BORE) ASSY WITH METAL BACKSHELL DRAWING NUMBER: M80-5C1XXXXB1	SHT 2 OF 2
HARWIN USA TEL: 603 893 5376 FAX: 603 893 5396 mis@harwin.com	HARWIN Europe (UK) TEL: 023 9231 4545 FAX: 023 9231 4590 mis@harwin.co.uk	HARWIN Asia TEL: +65 6 779 4909 FAX: +65 6 779 3868 mis@harwin.com.sg					