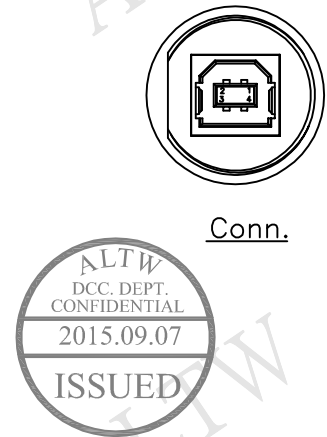
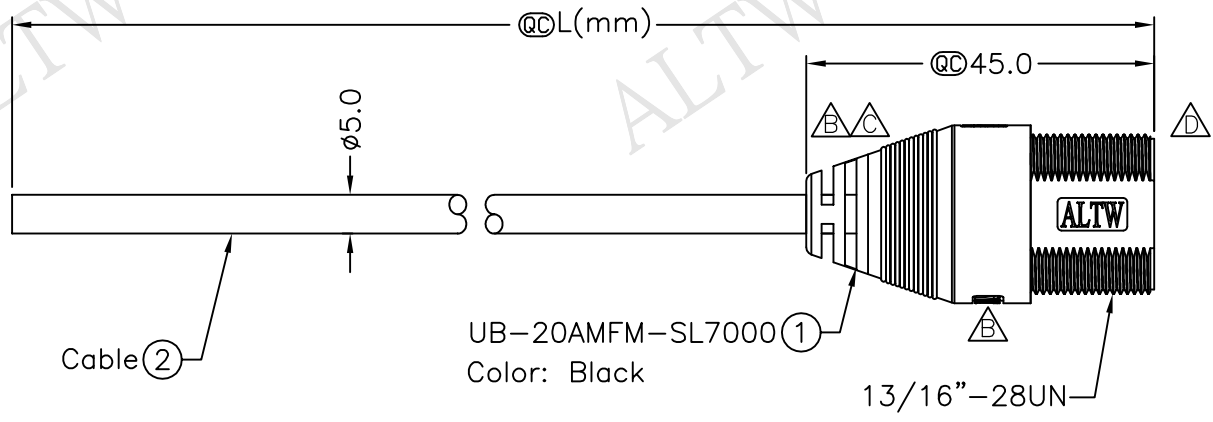


REV.	ECN NO.	DATE	SIGN	DESCRIPTION
B	LEN-780180	2007/08/17	Rommel A. Vergara	Change SR (Strain Relief) and interchange position of logo
C	LEN-950162~5	2009/03/23	Li Xiu Zhi	Change SR View
D	LEN1590117~20	2015/07/29	Ann	Change Logo



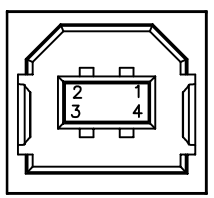
UB-20AMFM-SL7000
Color: Black

UB-20AMFM-SL7AXX

XX :01~05Meters
01 :01Meter
02 :02Meters
 ...
05 :05Meters

Cable Length(L):01~05Meters

- Notes:
- * @ Important Dimensions.
 - * Waterproof Rate: IP67
 - * Housing: ABS 94V-0, Black
 - * Jack: USB B Type
 - * Cable: USB2.0 28#*1P+24#*2C+AI/My+D+B PVC Jacket, UV Resist OD=5.0, Black
 - * Cable Length Tolerance:01M:40mm
 02M~05M:±60mm
 06M~10M:±100mm
 11M~30M:±200mm
 31M~99M:±500mm



Pin Assignments
Front View

Drain	地線	Shield
Black	黑	4
Green	綠	3
White	白	2
Red	紅	1
Wire Color		Conn.

Pin Out

Amphenol LTW
安費諾亮泰企業股份有限公司

UNIT:mm	TITLE: USB	ITEM NO	DRAWN BY: Ann	DATE: 2015/07/29
TOLERANCE: ±0.5 mm	CABLE SCREW 20B M CONN F PIN	DWG NO: UB-20AMFM-SL7AXX	CHECKED BY: Nick	DATE: 2015/07/29
	SCALE: Free SHEET: 1 OF 1	CUSTOMER: ALTW	APPROVED BY: Lion	DATE: 2015/07/29
	REV: D SIZE: A4 @: Inspection Item			

THIS DOCUMENT IS SUBJECT TO CHANGE WITHOUT NOTICE. IT IS CONFIDENTIAL AND A PROPERTY OF Amphenol LTW. DISCLOSURE TO THIRD PARTY HAS TO BE AUTHORIZED BY Amphenol LTW.