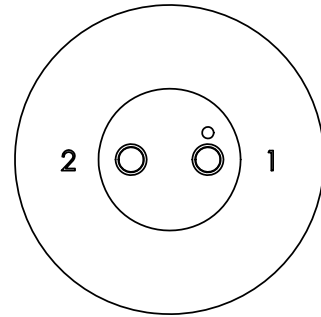
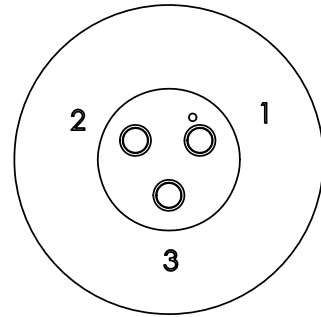


ASSY P/N	NO. OF CONTACTS
7282-2SG-300	2-#20
7282-3SG-300	3-#20
7282-4SG-300	4-#20
7282-5SG-300	5-#20
7282-6SG-300	6-#20

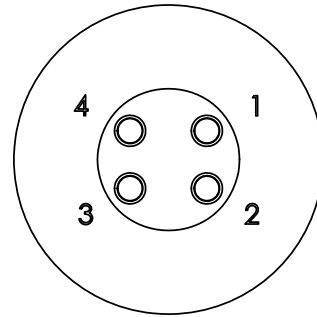
- NOTES:**
 1. ALL PARTS TO BE BULK PACKED.
 2. CONTACTS ASSEMBLED INTO CONNECTOR.
 3. SEE DRAWING HPMISTD FOR HOLE PATTERN.
 4. ALL DIMENSIONS ARE REFERENCE ONLY EXCEPT WHEN NOTED WITH TOLERANCE



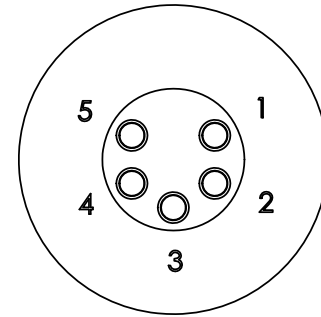
WIRING VIEW
7282-2SG-300



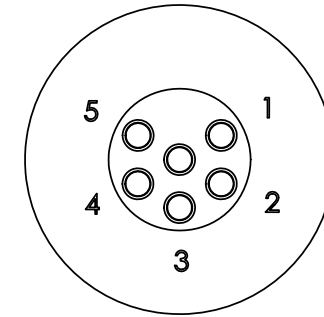
WIRING VIEW
7282-3SG-300



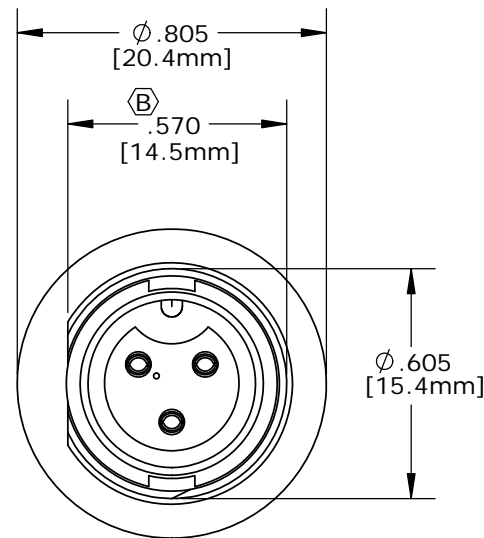
WIRING VIEW
7282-4SG-300



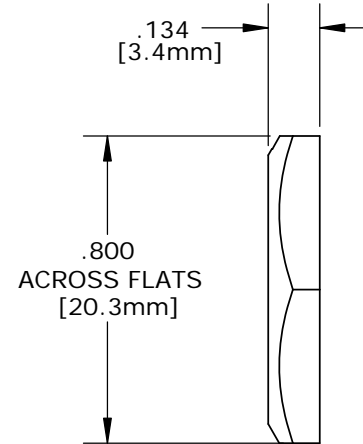
WIRING VIEW
7282-5SG-300



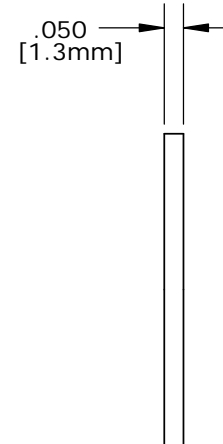
WIRING VIEW
7282-6SG-300



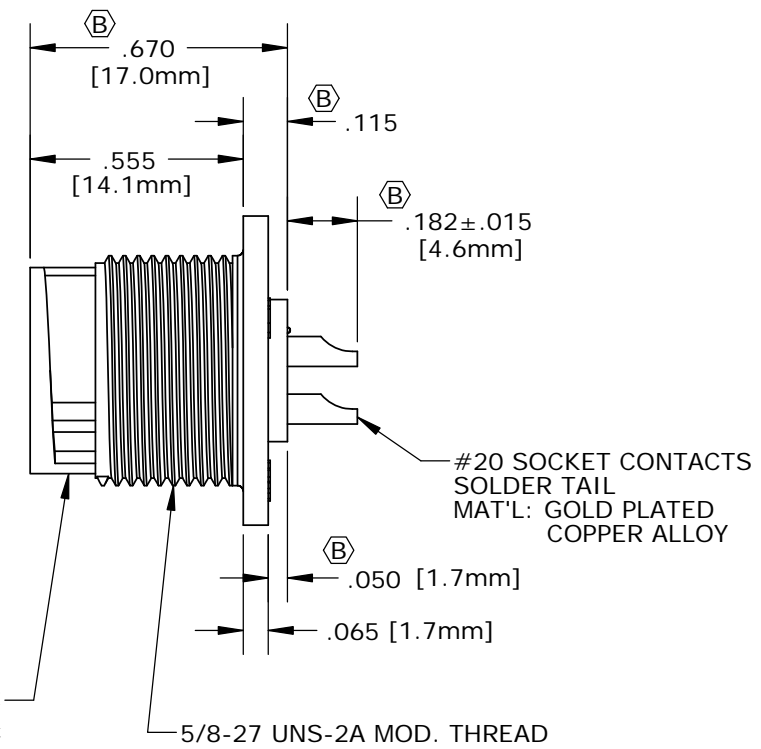
FACE VIEW
7282-3SG-300 SHOWN



HEX NUT
MAT'L: NYLON, BLACK



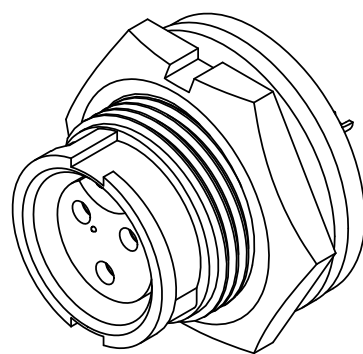
GASKET
MAT'L: RUBBER, BLACK



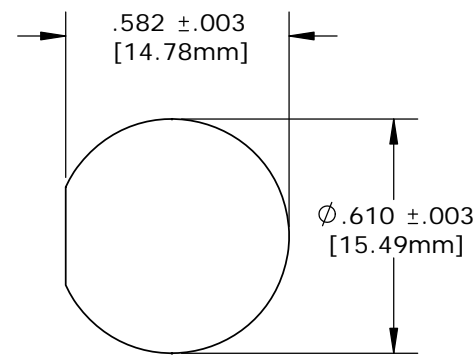
PANEL CONNECTOR
MAT'L: NYLON, BLACK
NO. OF POS. SEE CHART

#20 SOCKET CONTACTS
SOLDER TAIL
MAT'L: GOLD PLATED
COPPER ALLOY

5/8-27 UNS-2A MOD. THREAD



SHOWN ASSEMBLED KIT
FOR CUSTOMER REFERENCE ONLY
7282-3SG-300 SHOWN



**RECOMMENDED
PANEL CUT-OUT**

DIMENSIONS IN BRACKET [] ARE METRIC.

CUSTOMER APPROVAL

THIS DOCUMENT CONTAINS CONFIDENTIAL INFORMATION PROPRIETARY TO CONXALL CORPORATION. ANY REPRODUCTION, DISCLOSURE, OR USE OF THIS DOCUMENT / INFORMATION IS EXPRESSLY PROHIBITED UNLESS AUTHORIZED IN WRITING BY CONXALL CORPORATION.

APPROVED BY: _____

DATE: _____

RoHS COMPLIANT

B	AN	08-24-18	DIM. .670 WAS .665, .570 WAS .565, .182 WAS .187, ADDED DIM. .115 AND .050. PER ECR 8794.
A	AN	01-11-11	CREATED FAMILY DRAWING PER DOR 11-E149SL. SUPERSEDED 7282-3SG-300, 7282-5SG-300, 7282-6SG-300.
REV.	INIT.	DATE	DESCRIPTION
	AN	01-07-11	ALL INFORMATION ILLUSTRATED IS THE PROPERTY OF "CONXALL CORPORATION". UNAUTHORIZED DUPLICATION OR DISTRIBUTION OF THIS DOCUMENT IS PROHIBITED.
ALL UNITS ARE IN FEET, INCHES, FRACTION OF INCHES AND DECIMALS.			<p>601 E. WILDWOOD VILLA PARK, IL 60181</p>
SCALE	SIZE	SHEET	
NTS	B	1 OF 1	CUSTOMER: STANDARD PRODUCT
FILE:	DIRECTORY:	PART NUMBER:	REV
7282-XSG-300	SLW	7282-XSG-300	B