

## DESCRIPTION

The NB650A is fully-integrated, high-frequency, synchronous, rectified, step-down, switch-mode converters with dynamic-output-voltage control. It offers a very compact solution to achieve 6A of continuous output current over a wide input supply range, and has excellent load and line regulation. The NB650A operates at high efficiency over a wide output-current-load range.

Constant-On-Time control mode provides fast transient response and eases loop stabilization.

2-bit VID inputs support changing the output voltage on-the-fly.

Full protection features include short-circuit protection, over-current protection, over-voltage protection, under-voltage protection, and thermal shut down.

The NB650A requires a minimal number of readily-available standard external components, and is available in a space-saving 3mm×4mm QFN17 package.

## FEATURES

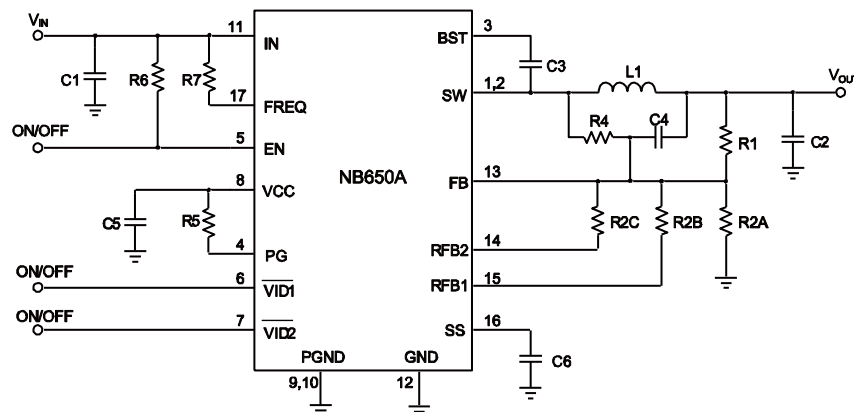
- Wide 4.5V-to-28V Operating Input Range
- 6A Output Current
- Internal 50mΩ High-Side, 18mΩ Low-Side Power MOSFETs
- Proprietary Switching Loss Reduction Technique
- 1% Reference Voltage
- Programmable Soft-Start Time
- 2-bit VID Input
- Soft Shutdown
- Frequency Programmable from 150kHz to 1MHz
- SCP, OCP, OVP, UVP, and Thermal Shutdown
- Optional OCP Protection: Latch-Off Mode
- Output Adjustable from 0.6V to 13V
- Available in QFN17 (3mm×4mm) Package

## APPLICATIONS

- Notebook Systems and I/O Power
- Networking Systems
- Digital Set Top Boxes
- Flat-Panel Televisions and Monitors
- Distributed Power Systems

All MPS parts are lead-free, halogen free, and adhere to the RoHS directive. For MPS green status, please visit MPS website under Quality Assurance. "MPS" and "The Future of Analog IC Technology" are Registered Trademarks of Monolithic Power Systems, Inc.

## TYPICAL APPLICATION (FOR NOTEBOOK)



### ORDERING INFORMATION

Part Number	Package	Top Marking
NB650AGL*	QFN17 (3mmx4mm)	See Below

\* For Tape & Reel, add suffix -Z (e.g. NB650AGL-Z).

### TOP MARKING

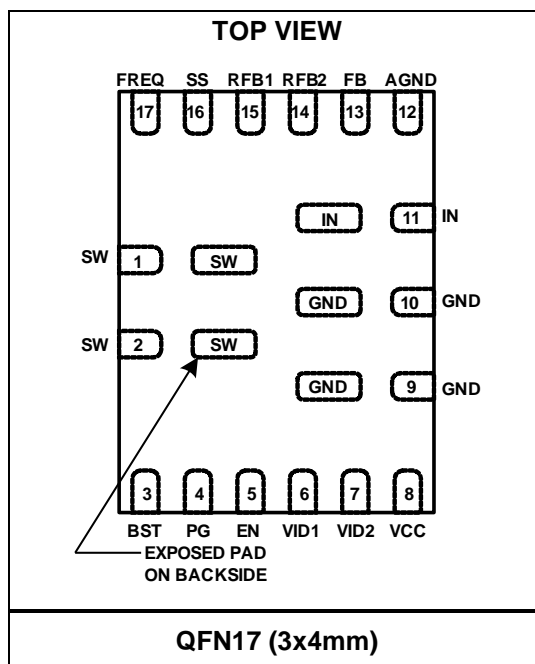
**NBYW**

**650A**

**LLL**

NB650A: part number  
 Y: year code  
 W: week code  
 LLL: lot number

### PACKAGE REFERENCE



**ABSOLUTE MAXIMUM RATINGS <sup>(1)</sup>**

Supply Voltage $V_{IN}$ .....	28V
$V_{SW}$ .....	-0.3V to $V_{IN} + 0.3V$
$V_{SW}$ .....	-3V to $V_{IN} + 3V$ for <30ns
$V_{BST}$ .....	$V_{SW} + 6V$
All Other Pins.....	-0.3V to +6V
Continuous Power Dissipation ( $T_A = +25^\circ C$ ) <sup>(2)</sup>	
QFN17 .....	2.4W
Junction Temperature.....	150°C
Lead Temperature .....	260°C
Storage Temperature.....	-65°C to +150°C

**Recommended Operating Conditions <sup>(3)</sup>**

Supply Voltage $V_{IN}$ .....	4.5V to 22.5V
Output Voltage $V_{OUT}$ .....	0.6V to 13V
Operating Junction Temp. ( $T_J$ ).....	-40°C to +125°C

<b>Thermal Resistance <sup>(4)</sup></b>	<b><math>\theta_{JA}</math></b>	<b><math>\theta_{JC}</math></b>
QFN17(3 x 4mm).....	52	11 ..°C/W

**Notes:**

- 1) Exceeding these ratings may damage the device.
- 2) The maximum allowable power dissipation is a function of the maximum junction temperature  $T_J(MAX)$ , the junction-to-ambient thermal resistance  $\theta_{JA}$ , and the ambient temperature  $T_A$ . The maximum allowable continuous power dissipation at any ambient temperature is calculated by  $P_D(MAX) = (T_J(MAX) - T_A) / \theta_{JA}$ . Exceeding the maximum allowable power dissipation will cause excessive die temperature, and the regulator will go into thermal shutdown. Internal thermal shutdown circuitry protects the device from permanent damage.
- 3) The device is not guaranteed to function outside of its operating conditions.
- 4) Measured on JESD51-7, 4-layer PCB.

## ELECTRICAL CHARACTERISTICS

$V_{IN} = 12V$ ,  $T_J = +25^{\circ}C$ , unless otherwise noted.

Parameters	Symbol	Condition	Min	Typ	Max	Units
Input Supply Current (Shutdown)	$I_{IN}$	$V_{EN} = 0V$		0		$\mu A$
Input Supply Current (Quiescent)	$I_{IN}$	$V_{EN} = 2V$ , $V_{FB} = 0.65V$		400		$\mu A$
Switch Leakage	$SW_{LKG}$	$V_{EN} = 0V$ , $V_{SW} = 0V$ or $12V$		0	1	$\mu A$
Current Limit	$I_{LIMIT}$	$t_{ON} > 200ns$	8	10		A
One-Shot On Time	$t_{ON}$	$R_{FREQ} = 200k\Omega$ , $V_{OUT} = 1.2V$		200		ns
Minimum Off Time	$t_{OFF}$	$R_{FREQ} = 200k\Omega$		100		ns
Fold-back Off Time <sup>(5)</sup>	$t_{FB}$	$ILIM = 1$		1.2		$\mu s$
OCP hold-off time <sup>(5)</sup>	$t_{OC}$	$ILIM = 1$		50		$\mu s$
Feedback Voltage	$V_{FB}$		594	600	606	mV
Feedback Current	$I_{FB}$	$V_{FB} = 600mV$		10	100	nA
Soft Start Charging Current	$I_{SS}$	$V_{SS} = 0V$		10		$\mu A$
Soft Stop Charging Current	$I_{SS}$	$V_{SS} = 0.6V$		10		$\mu A$
EN Input Low Voltage	$V_{IL_{EN}}$				0.4	V
EN Input High Voltage	$V_{IH_{EN}}$		2			V
EN Input Current	$I_{EN}$	$V_{EN} = 2V$		1.5		$\mu A$
		$V_{EN} = 0V$		0		
OVP Feedback Threshold	$V_{FB-OV}$			0.8		V
UVP Feedback Threshold <sup>(5)</sup>	$V_{FB-UV}$			0.4		V
VID Inputs Low Voltage	$V_{IL_{VID}}$				385	mV
VID Inputs High Voltage	$V_{IH_{VID}}$		635			mV
VID Inputs Current	$I_{VID}$			0		$\mu A$
Equivalent FB Slew Rate During VID On-The-Fly <sup>(5)</sup>	$SR_{FB}$			$\pm 20$		mV/ $\mu s$
VID Switch On Resistance <sup>(5)</sup>	$VID_{RDS-ON}$			100		$\Omega$
Power Good Rising Threshold	$PG_{V_{th-Hi}}$			0.9		$V_{FB}$
Power Good Falling Threshold	$PG_{V_{th-Lo}}$			0.85		$V_{FB}$
Power Good Delay	$PG_{Td}$			0.5		ms
Power Good Sink Current Capability	$V_{PG}$	Sink 4mA			0.4	V
Power Good Leakage Current	$I_{PG\_LEAK}$	$V_{PG} = 3.3V$			10	nA
Standby Mode Delay Time <sup>(5)</sup>	$t_{STANDBY}$			12		$\mu s$
$V_{IN}$ Under Voltage Lockout Threshold Rising	$INUV_{V_{th}}$			4		V
$V_{IN}$ Under Voltage Lockout Threshold Hysteresis	$INUV_{HYS}$			800		mV
Thermal Shutdown <sup>(5)</sup>	$T_{SD}$			150		$^{\circ}C$

**Note:**

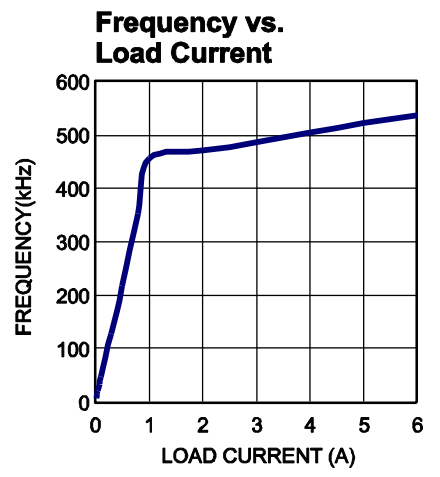
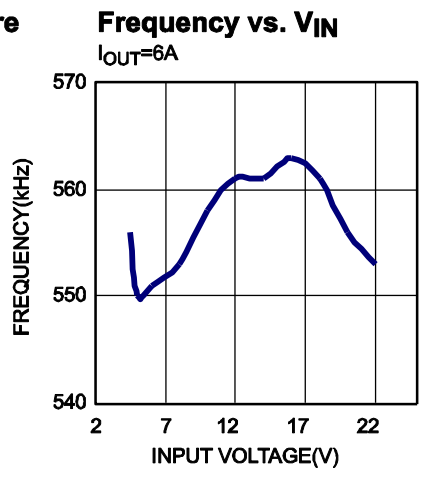
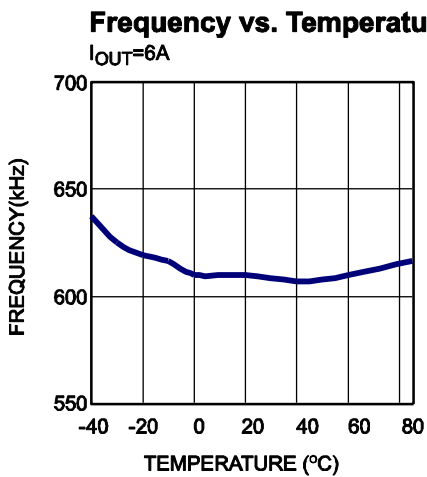
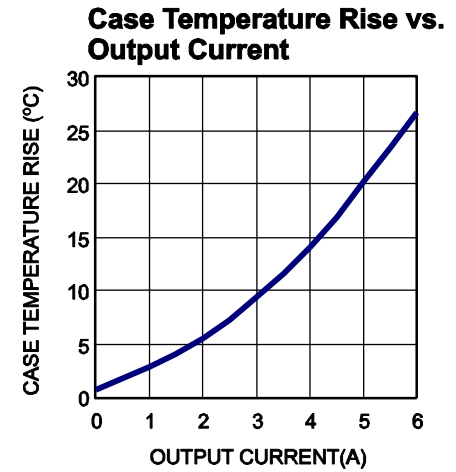
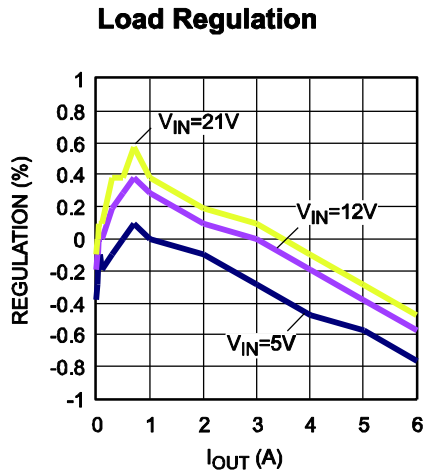
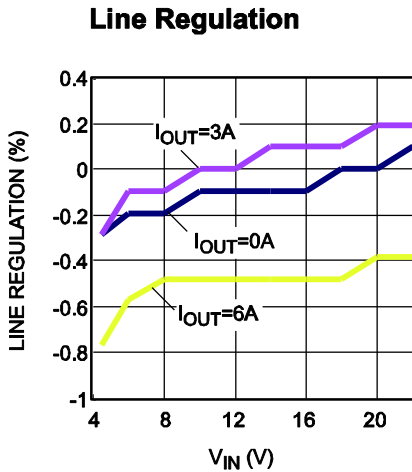
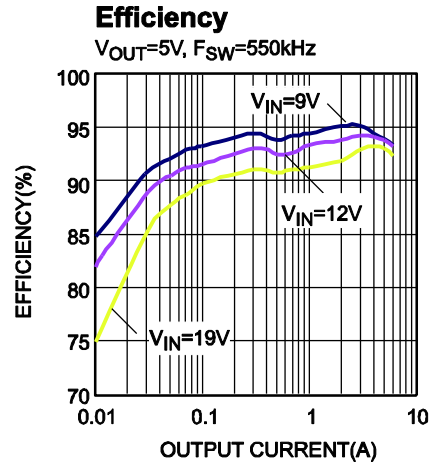
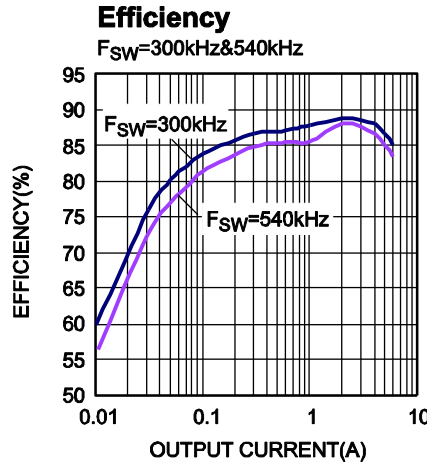
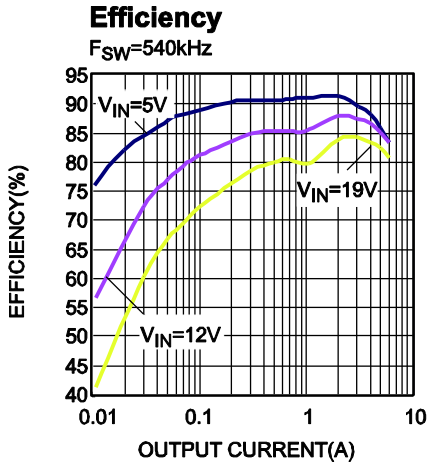
5) Not tested. Not guaranteed.

## PIN FUNCTIONS

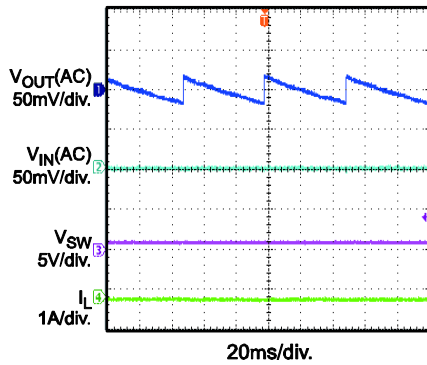
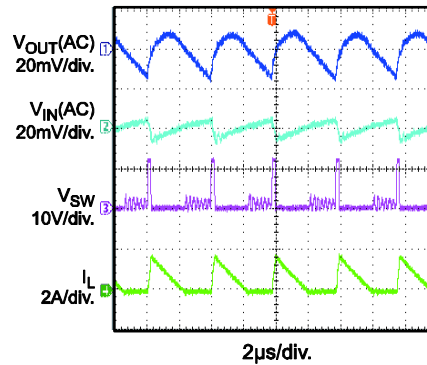
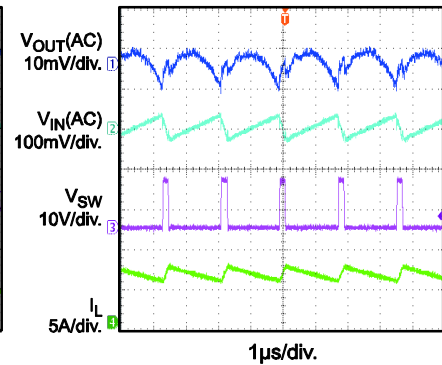
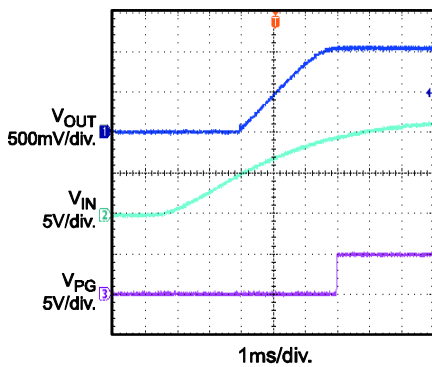
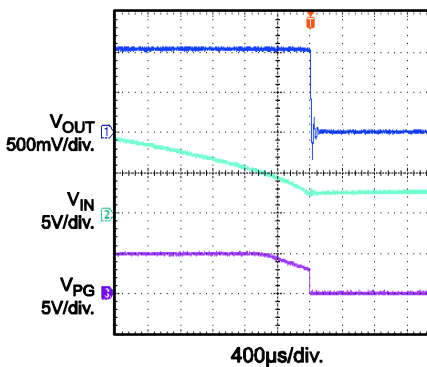
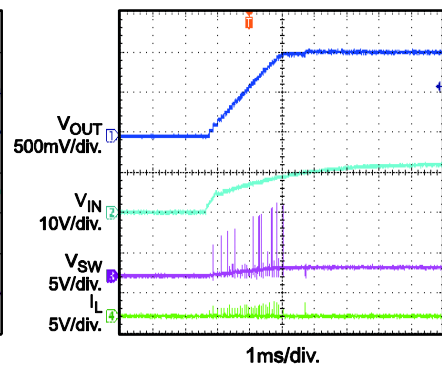
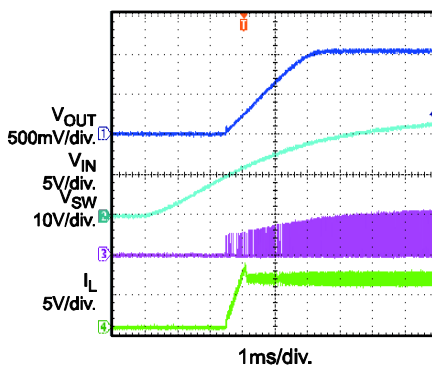
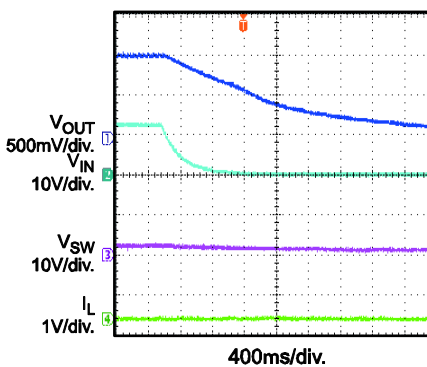
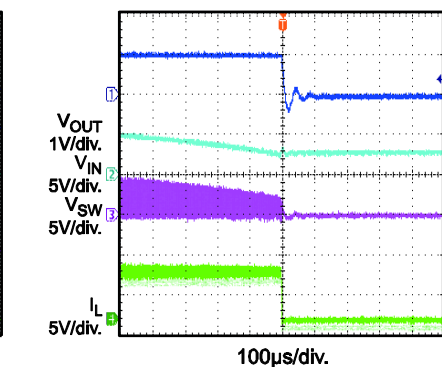
QFN17 Pin #	Name	Description
1,2	SW	Switch Output. Connect using wide PCB traces.
3	BST	Bootstrap. Requires a capacitor between SW and BST to form a floating supply across the high-side switch driver.
4	PG	Power Good. Output is an open drain and is high if the output voltage exceeds 90% of the nominal voltage. There is a delay from $FB \geq 90\% \times V_{ref}$ to PG goes high.
5	EN	EN=1 to enable. For automatic start-up, connect to VIN with a 100kΩ resistor.
6,7	$\overline{VID1}$ $\overline{VID2}$	VID inputs. Control signals for the output-voltage scaling. Acts as the control signals for the internal VID switches. Usually uses an external resistor in parallel with the low-side FB resistor. Changing the VID ON/OFF state changes the FB divider scaling and result in different output voltages. Use 100kohm resistor to pull-up the $\overline{VID1}/\overline{VID2}$ pins.
8	VCC	Internal LDO output. The power supply of the internal control circuits. Decouple with 1μF capacitor.
9,10	GND	System Ground. The reference ground of the regulated output voltage. Layout requires extra care.
11	IN	Supply Voltage. Operates from a 4.5V-to-28V input rail. Requires C1 to decouple the input rail. Connect using wide PCB traces.
12	AGND	Analog Ground.
13	FB	Feedback. Connect to the tap of an external resistor divider from the output to GND to set the output voltage.
14,15	RFB2 RFB1	Drain of the internal VID switches. Typically uses an external resistor in parallel with the low-side FB resistor along with the internal VID switch to change the ON/OFF state of the VID switching to change the FB divider scaling and result in different output voltages.
16	SS	Soft-Start. Connect an external capacitor to program the soft-start time for the switch-mode regulator.
17	FREQ	Frequency Set during CCM. The input voltage and the frequency-set resistor between the IN and FREQ pin determines the ON period. For best results, use an ON period longer than 200ns.

## TYPICAL PERFORMANCE CHARACTERISTICS

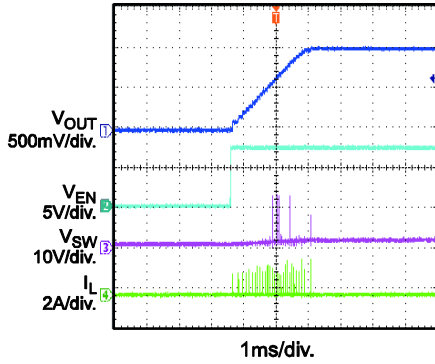
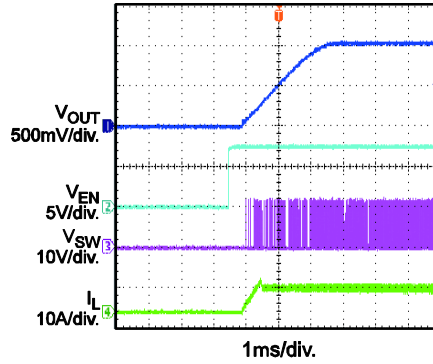
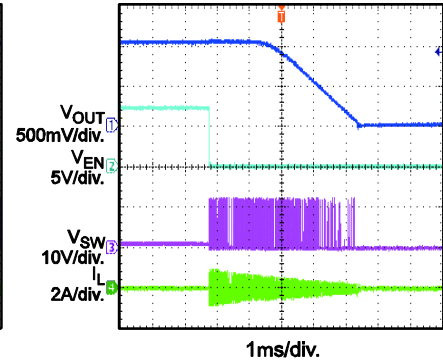
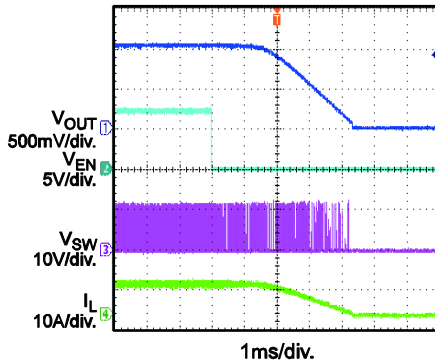
$V_{IN}=12V$ ,  $V_{OUT}=1.05V$ ,  $L=1\mu H$ ,  $T_A=+25^\circ C$ , unless otherwise noted.



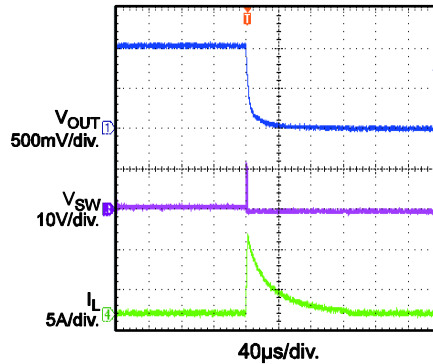
**TYPICAL PERFORMANCE CHARACTERISTICS** *(continued)*
 $V_{IN}=12V$ ,  $V_{OUT}=1.05V$ ,  $L=1\mu H$ ,  $T_A=+25^\circ C$ , unless otherwise noted.

**Input & Output Ripple**
 $I_{OUT}=0A$ 

**Input & Output Ripple**
 $I_{OUT}=0.5A$ 

**Input & Output Ripple**
 $I_{OUT}=6A$ 

**Power Good Through  $V_{IN}$  Start-Up**
 $I_{OUT}=6A$ 

**Power Good Through  $V_{IN}$  Shutdown**
 $I_{OUT}=6A$ 

**Start-Up Through  $V_{IN}$** 
 $I_{OUT}=0A$ 

**Start-Up Through  $V_{IN}$** 
 $I_{OUT}=6A$ 

**Shutdown Through  $V_{IN}$** 
 $I_{OUT}=0A$ 

**Shutdown Through  $V_{IN}$** 
 $I_{OUT}=6A$ 


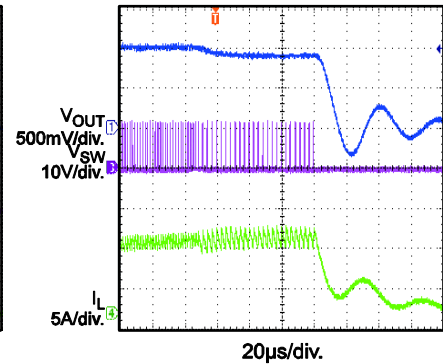
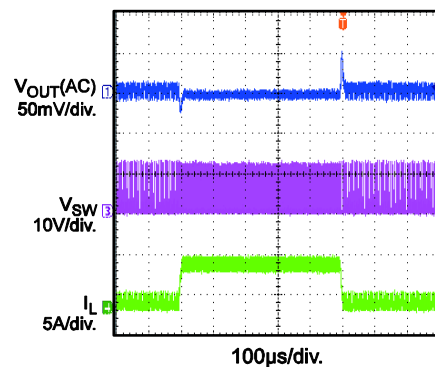
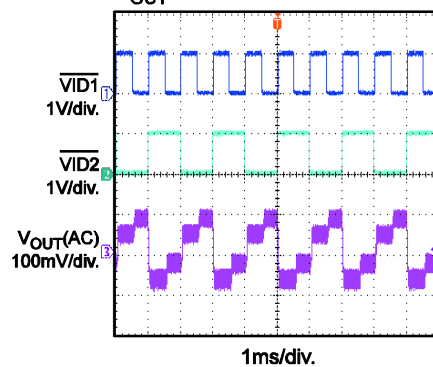
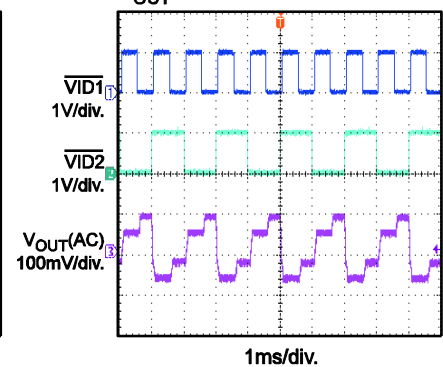
**TYPICAL PERFORMANCE CHARACTERISTICS** *(continued)*
 $V_{IN}=12V$ ,  $V_{OUT}=1.05V$ ,  $L=1\mu H$ ,  $T_A=+25^\circ C$ , unless otherwise noted.

**Start-Up Through EN**
 $I_{OUT}=0A$ 

**Start-Up Through EN**
 $I_{OUT}=6A$ 

**Shutdown Through EN**
 $I_{OUT}=0A$ 

**Shutdown Through EN**
 $I_{OUT}=6A$ 

**Short Circuit Protection**

NB650, Latch-Off Version


**OCP Protection**

NB650, Latch-Off Version


**Transient**
 $I_{OUT}=0.6A-5.4A@2.5A/\mu s$ ,  
 $F_{SW}=530kHz$ ,  $C_{OUT}=3x22\mu F$ 

**VID On-the-fly**
 $I_{OUT}=0.3A$   
 $F_{VID1}=1kHz$ ,  $F_{VID2}=0.5kHz$ ,  
 $V_{OUT}=1.05V/1.1V/1.15V/1.2V$ 

**VID On-the-fly**
 $I_{OUT}=6A$   
 $F_{VID1}=1kHz$ ,  $F_{VID2}=0.5kHz$ ,  
 $V_{OUT}=1.05V/1.1V/1.15V/1.2V$ 




### FUNCTIONAL BLOCK DIAGRAM

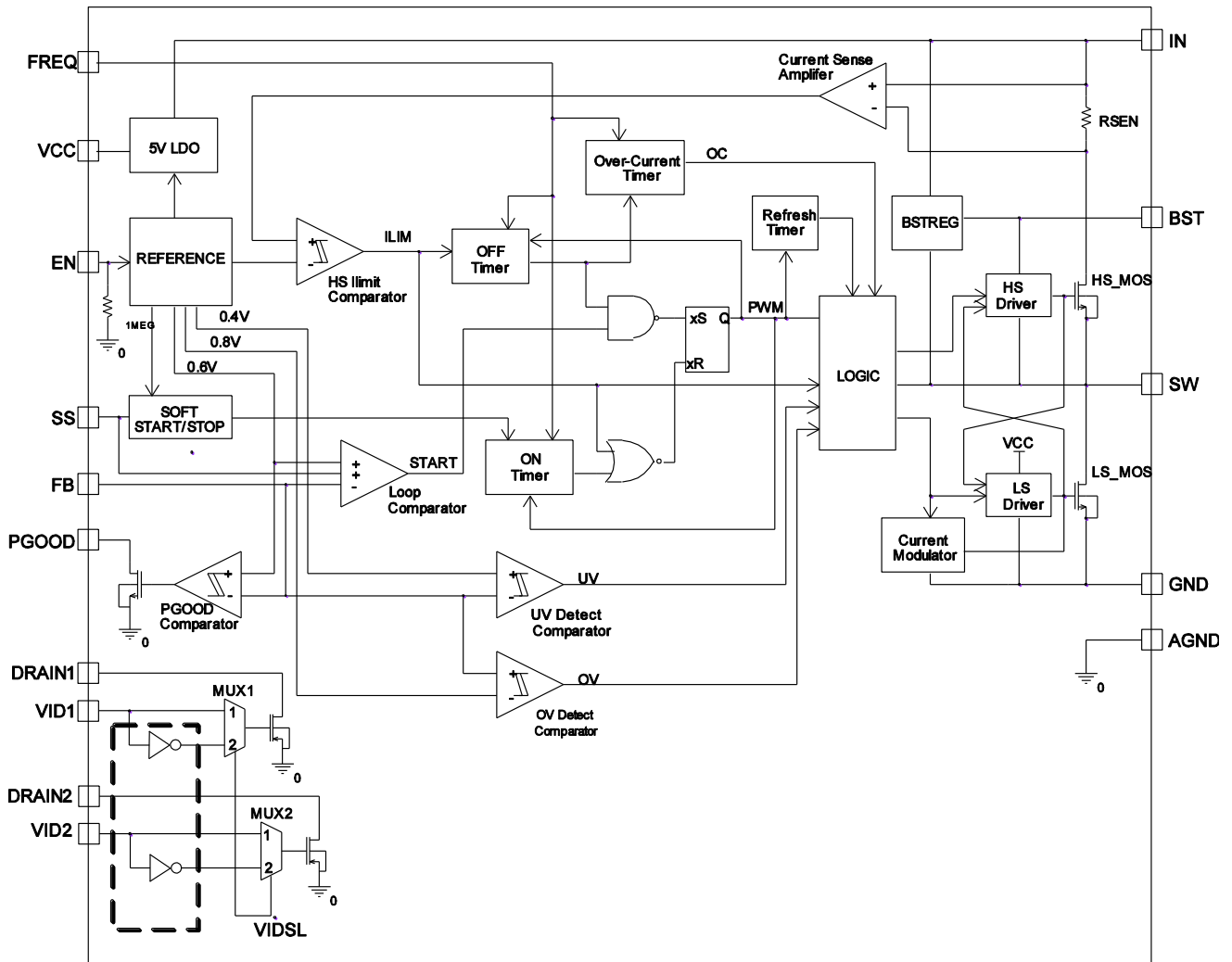


Figure 1: Functional Block Diagram

## OPERATION

### PWM Operation

The NB650A is a fully-integrated, synchronous, rectified, step-down, switch-mode converter with dynamic output voltage control. It offers a very compact solution to achieve a 6A continuous output current over a wide input supply range, with excellent load and line regulation. The NB650A operates at high efficiency over a wide output current load range.

Constant-on-time (COT) provides a fast transient response and easy loop stabilization. At the beginning of each cycle, the high-side MOSFET (HS-FET) turns on when the feedback voltage ( $V_{FB}$ ) falls below the reference voltage ( $V_{REF}$ ), which indicates an insufficient output voltage. The input voltage and the frequency-set resistor determine the ON as follows:

$$t_{ON}(ns) = \frac{9.6 \times R_{FREQ}(k\Omega)}{V_{IN}(V) - 0.4} + t_{DELAY1}(ns) \quad (1)$$

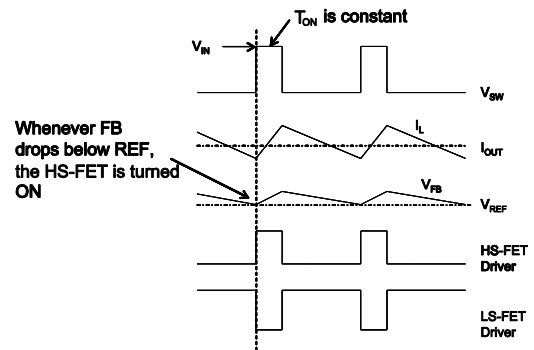
Where  $t_{DELAY1}$  is the 20ns delay of a comparator in the  $t_{ON}$  module.

**For best results, select  $t_{ON} \geq 120ns$ .**

After the ON period elapses, the HS-FET turns off to enter the OFF state. The part turns ON again when  $V_{FB}$  drops below  $V_{REF}$ . By repeating this operation, the converter regulates the output voltage. The integrated low-side MOSFET (LS-FET) turns on when the HS-FET is OFF to minimize conduction loss. There is a dead short between input and GND (shoot-through) if both HS-FET and LS-FET turn on at the same time. An internally-generated dead-time (DT) between HS-FET OFF and LS-FET ON, or LS-FET OFF and HS-FET OFF avoids shoot-through.

### Heavy-Load Operation

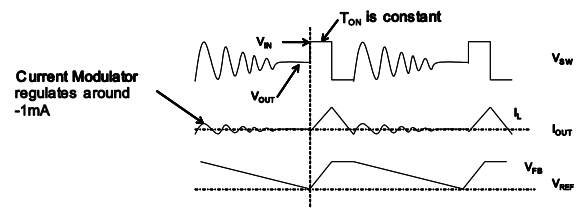
As shown in Figure 2, the HS-FET and LS-FET repeatedly turn on/off when the output current is high, and the inductor current never goes to zero. It's called continuous-conduction-mode (CCM) operation. In CCM operation, the switching frequency ( $f_{SW}$ ) is fairly constant.



**Figure 2: Heavy-Load Operation**

### Light-Load Operation

When the load current decreases, the NB650A automatically reduces the switching frequency to maintain high efficiency. Figure 3 shows the light-load operation.  $V_{FB}$  does not reach  $V_{REF}$  when the inductor current approaches zero. As the output current drops from heavy-load condition, the inductor current also decreases and eventually approaches zero. The LS-FET driver enters a tri-state (high-Z) whenever the inductor current reaches zero. A current modulator takes control of the LS-FET and limits the inductor current to less than 600 $\mu$ A to slowly discharge the output capacitors to GND through LS-FET as well as R1 and R2A, R2B and R2C. The HS-FET does not turn ON as frequently as in heavy-load condition. As a result, the efficiency at light-load condition increases greatly. This operation mode is also called skip mode.



**Figure 3: Light-Load Operation**

As the output current increases from the light-load condition, the time period within which the current modulator regulates becomes shorter.

As the part exits light-load mode, the HS-FET turns on more frequently to increase the switching frequency. The output current reaches critical when the current modulator time is zero. The

following equation determines the critical level of the output current:

$$I_{OUT} = \frac{(V_{IN} - V_{OUT}) \times V_{OUT}}{2 \times L \times f_{SW} \times V_{IN}} \quad (2)$$

When the output current exceeds the critical level, light load mode turns into PWM mode, and the switching frequency stays fairly constant over the output current range.

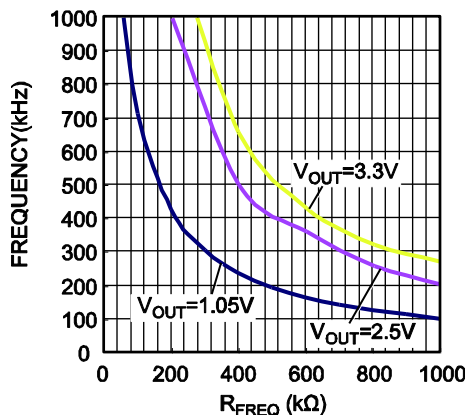
### Switching Frequency

The NB650A uses constant-on-time (COT) control, and has no dedicated internal oscillator. The input voltage is feed-forwarded to the on-time one-shot timer through the resistor  $R_{FREQ}$ . The duty ratio is kept as  $V_{OUT}/V_{IN}$ . Hence, the switching frequency is fairly constant over the input voltage range. The switching frequency can be set as follows:

$$f_{SW} \text{ (kHz)} = \left[ \left( \frac{9.6 \times R_{FREQ} \text{ (k}\Omega\text{)} + t_{DELAY1} \text{ (ns)}}{V_{IN} \text{ (V)} - 0.4} \right) \times \left( \frac{V_{IN} \text{ (V)}}{V_{OUT} \text{ (V)}} + t_{DELAY2} \text{ (ns)} \right) \right]^{-1} \times 10^6 \quad (3)$$

Where  $t_{DELAY2}$  is another comparator delay of about 40ns.

### Frequency vs. $R_{FREQ}$

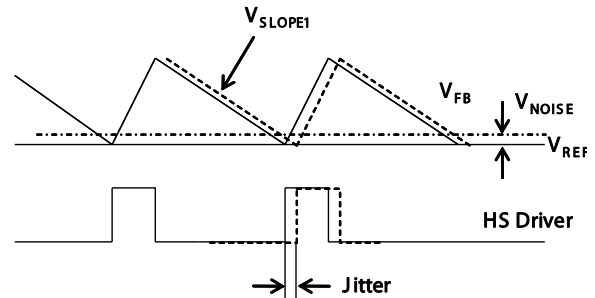


**Figure 4: Plot of  $V_{OUT}$  as a Function of  $R_{FREQ}$  and the Frequency**

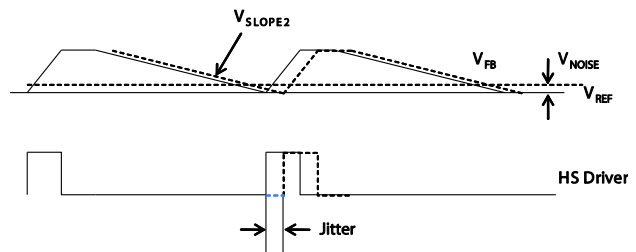
NB650A is optimized to operate at high switching frequencies at high efficiency. Higher switching frequencies allow for smaller LC filter components to reduce system PCB space.

### Jitter and FB Ramp Slope

Figure 5 and Figure 6 show jitter in both PWM and skip modes. When there is noise in the  $V_{FB}$  downward slope, the ON time of HS-FET deviates from its intended level and produces jitter. There is a relationship between a system's stability and the steepness of the  $V_{FB}$  ripple's downward slope: The steepness of the  $V_{FB}$  ripple's slope dominates in noise immunity. The magnitude of the  $V_{FB}$  ripple doesn't directly affect the noise immunity.



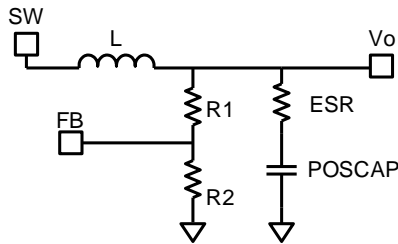
**Figure 5: Jitter in PWM Mode**



**Figure 6: Jitter in Skip Mode**

### Ramp with Large ESR Cap

When using POSCAPs or other types of capacitors with larger ESR as output capacitors, the ESR ripple dominates the output ripple, and the slope on the FB is ESR-related. Figure 7 shows an equivalent circuit in PWM mode with the HS-FET off and without an external ramp circuit. The application section includes design steps for large ESR capacitors.



**Figure 7: Simplified Circuit in PWM Mode without External Ramp Compensation**

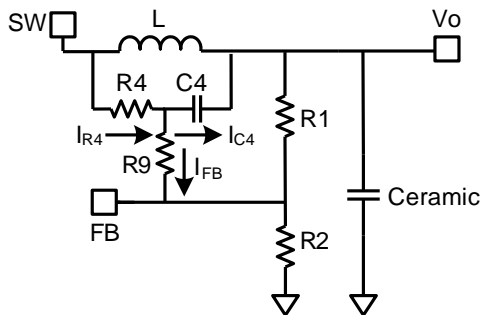
To realize the stability without the use of an external ramp, select an ESR value as follows:

$$R_{ESR} \geq \frac{\frac{t_{SW}}{0.7 \times \pi} + \frac{t_{ON}}{2}}{C_{OUT}} \quad (4)$$

Where  $t_{SW}$  is the switching period.

### Ramp with Small ESR Capacitor

The ESR ripple when using ceramic output capacitors is not high enough to stabilize the system and requires an external compensation ramp. The application section includes a description of designing with small ESR capacitors.



**Figure 8: Simplified Circuit in PWM Mode with External Ramp Compensation**

Figure 7 shows a simplified equivalent circuit in PWM mode with the HS-FET OFF and an external ramp compensation circuit (R4, C4). The external ramp is derived from the inductor ripple current. If one chooses C4, R9, R1 and R2 to meet the following condition:

$$\frac{1}{2\pi \times f_{SW} \times C_4} < \frac{1}{5} \times \left( \frac{R_1 \times R_2}{R_1 + R_2} + R_9 \right) \quad (5)$$

Where:

$$I_{R4} = I_{C4} + I_{FB} \approx I_{C4} \quad (6)$$

And R2 is the equivalent resistor from FB to GND that varies with VID input, the ramp on the  $V_{FB}$  can then be estimated as:

$$V_{RAMP} = \frac{V_{IN} - V_O}{R_4 \times C_4} \times t_{ON} \times \frac{R_1 // R_2}{R_1 // R_2 + R_9} \quad (7)$$

Usually R9 is set to  $0\Omega$ , then equation 7 can be simplified as:

$$V_{RAMP} = \frac{(V_{IN} - V_O) \times \tau_{ON}}{R_4 \times C_4} \quad (8)$$

The downward slope of the  $V_{FB}$  ripple then follows

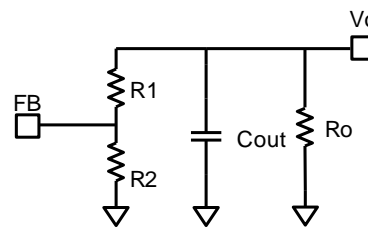
$$V_{SLOPE1} = \frac{-V_{RAMP}}{t_{off}} = \frac{-V_{OUT}}{R_4 \times C_4} \quad (9)$$

As shown in equation 8, if there is instability in PWM mode, we can reduce either R4 or C4. If C4 can not be reduced further due to limitations from equation 5, then we can only reduce R4. For a stable PWM operation, the  $V_{slope1}$  should be designed as follows.

$$-V_{slope1} \geq \frac{\frac{t_{SW}}{0.7 \times \pi} + \frac{t_{ON}}{2} - R_{ESR} C_{OUT}}{2 \times L \times C_{OUT}} V_{OUT} + \frac{I_O \times 10^{-3}}{t_{SW} - t_{on}} \quad (10)$$

Where  $I_O$  is the load current.

In skip mode, the downward slope of the  $V_{FB}$  ripple is almost the same with or without the external ramp. Figure 9 shows the simplified circuit of the skip mode when both HS-FET and LS-FET are off.



**Figure 9: Simplified Circuit in Skip Mode**

The downward slope of the  $V_{FB}$  ripple in skip mode can be determined as:

$$V_{SLOPE2} = \frac{-V_{REF}}{((R_1 + R_2) // R_O) \times C_{OUT}} \quad (11)$$

Where  $R_O$  is the equivalent load resistor.

As described in Figure 6,  $V_{SLOPE2}$  in skip mode is smaller than  $V_{SLOPE1}$  in PWM mode, so the jitter in the skip mode is larger. For less jitter during ultra-light-load conditions, select smaller  $V_{FB}$  resistors, though at the cost of light-load efficiency.

### VID Input

Typically, R1 and R2 set the output voltage with  $V_{FB}=0.6V$ . R2, in this case, is a combination of R2A, R2B, and R2C depends on the VID, which is active low. The NB650A can dynamically track VID codes as they change. As a result, the converter output voltage can change without the need to reset either the controller or the value of R1 and R2A. As shown in Figure 1, R2B and R2C are parallel with R2A. The equivalent value of R2 can change due to different VID codes. One can get four  $V_{OUT}$  values depending on the VID codes with the details in the application information. The VID logic and equivalent R2s are shown in Table 1.

**Table 1: VID Logic**

$\overline{VID2}$	$\overline{VID1}$	R2
1	1	$R_2 = R_{2A}$
1	0	$R_2 = R_{2A} // R_{2B}$
0	1	$R_2 = R_{2A} // R_{2C}$
0	0	$R_2 = R_{2A} // R_{2B} // R_{2C}$

### Enable Control

The NB650A has a dedicated Enable control pin (EN). Pulling this pin high or low enables or disables the IC. Tie EN to  $V_{IN}$  through a resistor for automatic start-up.

### Soft Start/Stop

The NB650A employs a soft-start/stop (SS) mechanism to ensure smooth output during power-up and power shutdown. When the EN pin goes high, an internal current source (10 $\mu$ A) charges up the SS capacitor. The SS capacitor voltage then acts as the  $V_{REF}$  voltage to the PWM comparator. The output voltage smoothly ramps up with the SS voltage. Once the SS voltage reaches the same level as the REF voltage, it continues ramping up while the REF voltage

becomes the reference to the PWM comparator. At this point, the soft-start finishes and it enters steady-state operation.

When the EN pin goes low, a 10 $\mu$ A internal current source discharges the SS capacitor. Once the SS voltage reaches the REF voltage, acts as the reference to the PWM comparator.

The output voltage decreases smoothly with the SS voltage until it reaches zero level. Determine the SS capacitor as follows:

$$C_{SS}(\text{nF}) = \frac{t_{SS}(\text{ms}) \times I_{SS}(\mu\text{A})}{V_{REF}(\text{V})} \quad (12)$$

If the output capacitors have large capacitance values, avoid setting a short SS time. Use a minimum value of 4.7nF if the output capacitance value exceeds 330 $\mu$ F.

### Power Good

The NB650A has power-good (PG) output. The PG pin is the open drain of a MOSFET. Connect to  $V_{CC}$  or another voltage source through a resistor (e.g. 100k $\Omega$ ). The MOSFET turns ON after the application of the input voltage so that the PG pin is pulled to GND before the SS is ready. After the FB voltage reaches 90% of the reference voltage, the PG pin is pulled high after a delay.

The PG delay is determined as follows:

$$t_{PG}(\text{ms}) = \frac{4 \times t_{SS}(\text{ms})}{9} \quad (13)$$

When the FB voltage drops to 90% of the reference voltage, the PG pin is pulled low.

### Over-Current Protection and Short-Circuit Protection

The NB650A has cycle-by-cycle over-current limit control. The inductor current is monitored during the ON state. Once the inductor current hits the current limit, the HS-FET turns off. At the same time, the over-current protection (OCP) timer starts. The OCP timer is set as 50 $\mu$ s. If the current limit is hit for every cycle within that 50 $\mu$ s period, then OCP will trigger.

When the output is shorted to ground, the device hits its current limit and the FB voltage is less than 0.4V. The device treats this as a dead-short

on the output and triggers OCP immediately. This is short circuit protection (SCP).

Under OCP/SCP condition, NB650A will latch off. The converter needs power cycle to restart.

#### **Over/Under-Voltage Protection**

The NB650A monitors the output voltage through the FB voltage to detect overvoltage and under voltage on the output. When the FB voltage exceeds 0.8V, the over-voltage protection (OVP) triggers. Once OVP triggers, the LS-FET is always on while the HS-FET is always off. The device needs to power cycle to power up again. Under-voltage protection (UVP) triggers when the FB voltage is below 0.4V. Usually, UVP accompanies hitting the current limit, which results in SCP.

#### **UVLO Protection**

The NB650A has under-voltage lockout (UVLO) protection. When  $V_{IN}$  exceeds the UVLO-rising threshold voltage, the NB650A powers up. It shuts off when  $V_{IN}$  falls below the UVLO-falling threshold voltage. This is non-latch protection.

#### **Thermal Shutdown**

The NB650A employs thermal shutdown by internally monitoring the temperature of the junction. If the junction temperature exceeds the threshold value (typically 150°C), the converter shuts off. This is non-latch protection. There is about 25°C hysteresis. Once the junction temperature drops to around 125°C, it initiates a soft-start.



## APPLICATION INFORMATION

### Setting the Output Voltage-Large ESR Caps

A resistor divider from the output voltage to the FB pin sets the output voltage. Changing the VID codes for the NB650A accomplishes the same thing.

When there is no external ramp, the output voltages are set by feedback resistors R1 and R2A, R2B and R2C. First, choose R1 within 5kΩ-to-100kΩ to ensure stable operation.  $V_{OUT1}$ ,  $V_{OUT2}$ ,  $V_{OUT3}$  and  $V_{OUT4}$  are the voltages at different VID codes, arranged from low to high. Then determine R2A, R2B and R2C as follows:

$$R2A = \frac{V_{REF}}{V_{OUT1} - \frac{1}{2}\Delta V_{OUT} - V_{REF}} \times R1 \quad (14)$$

$$R2B = \frac{1}{\frac{V_{OUT2} - \frac{1}{2}\Delta V_{OUT2} - V_{REF}}{V_{REF}} \times \frac{1}{R1} - \frac{1}{R2A}} \quad (15)$$

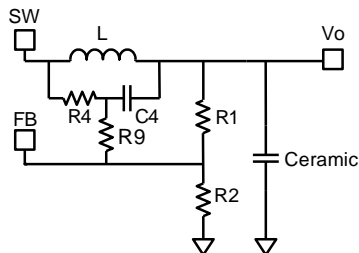
$$R2C = \frac{1}{\frac{V_{OUT3} - \frac{1}{2}\Delta V_{OUT3} - V_{REF}}{V_{REF}} \times \frac{1}{R1} - \frac{1}{R2A}} \quad (16)$$

$V_{OUT4}$  can be calculated as:

$$V_{OUT4} = \frac{V_{REF} \times (R1 + R2A // R2B // R2C)}{R2A // R2B // R2C} + \frac{1}{2}\Delta V_{OUT4} \quad (17)$$

Where  $\Delta V_{OUTx}$  is the output ripple determined by equation 30.

### Setting the Output Voltage-Small ESR Caps



**Figure 10: Simplified Ceramic Capacitor Circuit**

When using a low-ESR ceramic capacitor on the output, add an external voltage ramp to FB through resistor R4 and capacitor C4. The ramp voltage,  $V_{RAMP}$ , influences the output voltage besides the resistor divider shown in Figure 10. Equation 7 calculates  $V_{RAMP}$ .

Choose R1 within 5kΩ-to-100kΩ. The value of R2 then is determined as follows:

$$R2A = \frac{V_{FB(AVG)}}{\left(\frac{1}{R1} + \frac{1}{R4 + R9}\right) \times (V_{OUT1} - V_{FB(AVG)})} \quad (18)$$

$$R2B = \frac{1}{\frac{V_{OUT2} - V_{FB(AVG)}}{V_{FB(AVG)}} \times \left(\frac{1}{R1} + \frac{1}{R4 + R9}\right) - \frac{1}{R2A}} \quad (19)$$

$$R2C = \frac{1}{\frac{V_{OUT3} - V_{FB(AVG)}}{V_{FB(AVG)}} \times \left(\frac{1}{R1} + \frac{1}{R4 + R9}\right) - \frac{1}{R2A}} \quad (20)$$

And  $V_{OUT4}$  also can be calculated with equation 17.

The  $V_{FB(AVG)}$  is the average value on FB.  $V_{FB(AVG)}$  varies with the  $V_{IN}$ ,  $V_O$ , and load condition; its value in skip mode is lower than in PWM mode, which means the load regulation is strictly related to the  $V_{FB(AVG)}$ . Also the line regulation is related to the  $V_{FB(AVG)}$ ; use a lower  $V_{RAMP}$  that meets the conditions of equation 10 for better load or line regulation.

For PWM operation, estimate  $V_{FB(AVG)}$  from the following equation:

$$V_{FB(AVG)} = V_{REF} + \frac{1}{2}V_{RAMP} \times \frac{R1 // R2}{R1 // R2 + R9} \quad (21)$$

Usually, R9 is set to 0Ω, and it can also be set following equation 22 for better noise immunity. Set the value to  $<(1/5) \times R1 // R2$  to minimize its influence on  $V_{RAMP}$ .

$$R9 \leq \frac{1}{2\pi \times C4 \times 2f_{SW}} \quad (22)$$

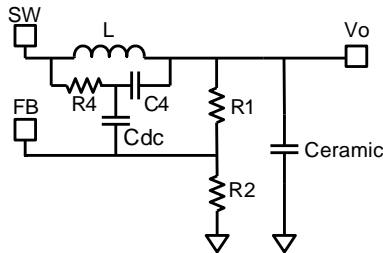
Using equations 18 through 20 to calculate the output voltage can be complicated. Furthermore, as  $V_{RAMP}$  changes due to changes in  $V_{OUT}$  and  $V_{IN}$ ,  $V_{FB}$  also varies. To improve the output voltage accuracy and simplify the R2A, R2B and R2C calculations, add a DC-blocking capacitor ( $C_{DC}$ ) to filter the DC influence from R4 and R9. Figure 11 shows a simplified circuit with external ramp compensation and a DC-blocking capacitor. The addition of this capacitor simplifies the R2A, R2B and R2C calculations, as per equations 23-25.

$$R2A = \frac{V_{REF} + \frac{1}{2}V_{RAMP}}{\frac{1}{R1} \times (V_{OUT1} - V_{REF} - \frac{1}{2}V_{RAMP})} \quad (23)$$

$$R2B = \frac{1}{\frac{1}{R1} \times \frac{(V_{OUT2} - V_{REF} - \frac{1}{2}V_{RAMP})}{V_{REF} + \frac{1}{2}V_{RAMP}} - \frac{1}{R2A}} \quad (24)$$

$$R2C = \frac{1}{\frac{1}{R1} \times \frac{(V_{OUT3} - V_{REF} - \frac{1}{2}V_{RAMP})}{V_{REF} + \frac{1}{2}V_{RAMP}} - \frac{1}{R2A}} \quad (25)$$

Select  $C_{DC} > 10 \times C4$  for better DC blocking, but select a value less than  $0.47\mu F$  when considering start up performance. For larger  $C_{DC}$  values for better FB noise immunity, combine with reduced R1 and R2 to limit the  $C_{DC}$  to a reasonable value without affecting system start-up. Note that even with  $C_{DC}$ , the load and line regulation are still related to  $V_{RAMP}$ .



**Figure 11: Simplified Circuit with Ceramic DC-Blocking Capacitor**

### Input Capacitor

The input current to the step-down converter is discontinuous, and therefore requires a capacitor to supply the AC current to the step-down converter while maintaining the DC input voltage. Use ceramic capacitors for best performance. The capacitance varies significantly over temperature. Capacitors with X5R and X7R ceramic dielectrics are recommended because they are fairly stable over temperature.

In the layout, place the input capacitors as close to the IN pin as possible.

The capacitors must also have a ripple current rating greater than the maximum input ripple

current of the converter. The input ripple current can be estimated as:

$$I_{CIN} = I_{OUT} \times \sqrt{\frac{V_{OUT}}{V_{IN}} \times (1 - \frac{V_{OUT}}{V_{IN}})} \quad (26)$$

The worst-case condition occurs at:

$$I_{CIN} = \frac{I_{OUT}}{2} \quad (27)$$

For simplification, choose an input capacitor whose RMS current rating is greater than half of the maximum load current.

The input capacitance value determines the input voltage ripple of the converter. If the system requires a specific input voltage ripple, choose the input capacitor that meets the specification.

The input voltage ripple can be estimated as:

$$\Delta V_{IN} = \frac{I_{OUT}}{f_{SW} \times C_{IN}} \times \frac{V_{OUT}}{V_{IN}} \times (1 - \frac{V_{OUT}}{V_{IN}}) \quad (28)$$

The worst-case condition occurs at  $V_{IN} = 2V_{OUT}$ , where:

$$\Delta V_{IN} = \frac{1}{4} \times \frac{I_{OUT}}{f_{SW} \times C_{IN}} \quad (29)$$

### Output Capacitor

The output capacitor maintains the DC output voltage. Use ceramic or POSCAP capacitors. The output voltage ripple can be estimated as:

$$\Delta V_{OUT} = \frac{V_{OUT}}{f_{SW} \times L} \times (1 - \frac{V_{OUT}}{V_{IN}}) \times (R_{ESR} + \frac{1}{8 \times f_{SW} \times C_{OUT}}) \quad (30)$$

Where  $R_{ESR}$  is the equivalent series resistance (ESR) of the output capacitor.

For ceramic capacitors, the capacitance dominates the impedance at the switching frequency, and causes the majority of the output voltage ripple. For simplification, the output voltage ripple can be estimated as:

$$\Delta V_{OUT} = \frac{V_{OUT}}{8 \times f_{SW}^2 \times L \times C_{OUT}} \times (1 - \frac{V_{OUT}}{V_{IN}}) \quad (31)$$

The output voltage ripple caused by ESR is very small, and therefore requires an external ramp to stabilize the system. The external ramp can be generated through resistor R4 and capacitor C4 following equations 5, 9 and 10.



For POSCAP capacitors, the ESR dominates the impedance at the switching frequency. The ramp voltage generated from the ESR is high enough to stabilize the system. Therefore, an external ramp is not needed. A minimum ESR value of 12mΩ is required to ensure stable operation of the converter. For simplification, the output ripple can be approximated as:

$$\Delta V_{OUT} = \frac{V_{OUT}}{f_{SW} \times L} \times \left(1 - \frac{V_{OUT}}{V_{IN}}\right) \times R_{ESR} \quad (32)$$

### Inductor

The inductor supplies constant current to the output load while being driven by the switching input voltage. A larger value inductor results in less ripple current, which results in lower output ripple voltage. However, a larger value inductor is physically larger, has a higher series resistance,

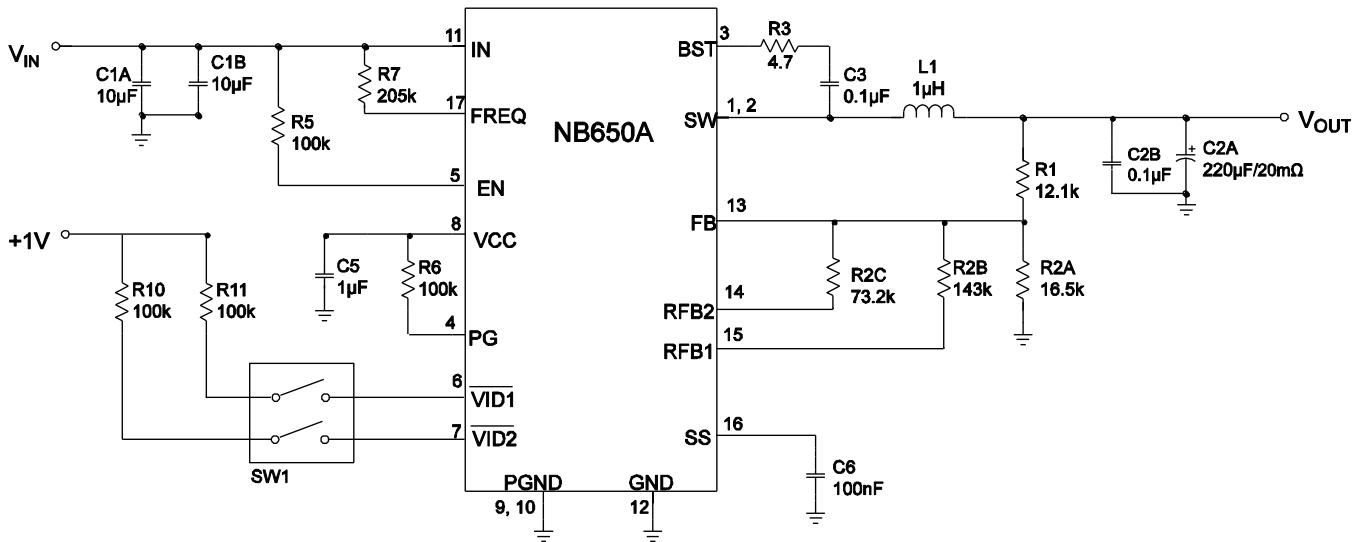
and/or lower saturation current. To determine the inductor value, allow the inductor peak-to-peak ripple current to reach approximately 30% to 40% of the maximum switch current limit. Make sure that the peak inductor current is below the maximum switch current limit. The inductance value can be calculated as:

$$L = \frac{V_{OUT}}{f_{SW} \times \Delta I_L} \times \left(1 - \frac{V_{OUT}}{V_{IN}}\right) \quad (33)$$

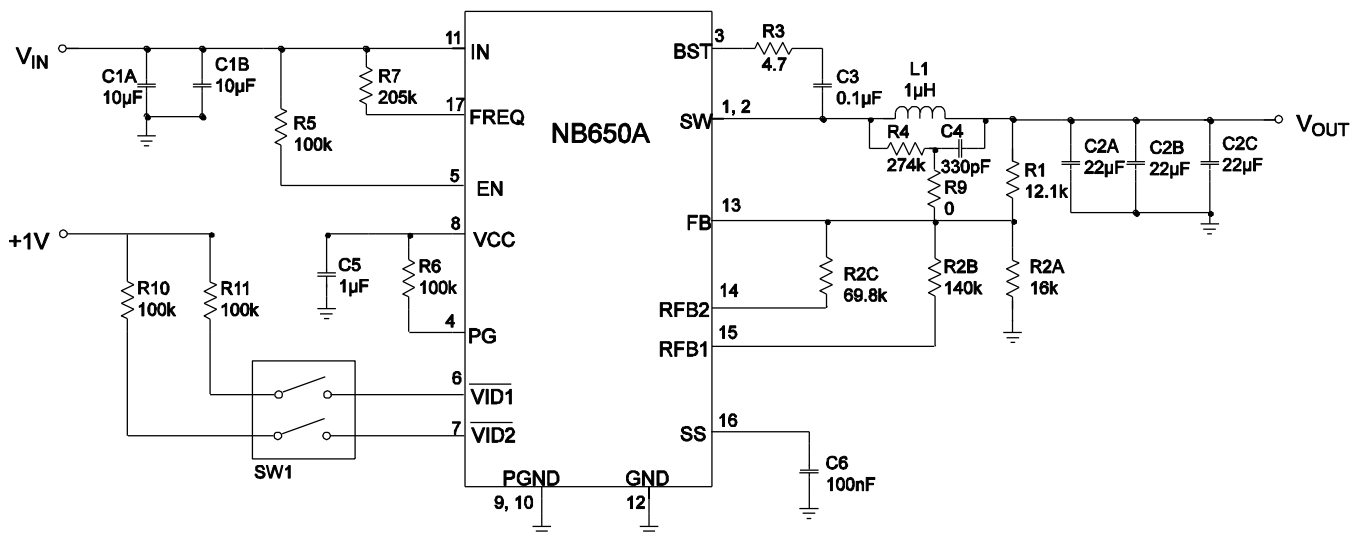
Where  $\Delta I_L$  is the peak-to-peak inductor ripple current.

Choose an inductor that will not saturate under the maximum inductor peak current. The peak inductor current can be calculated as:

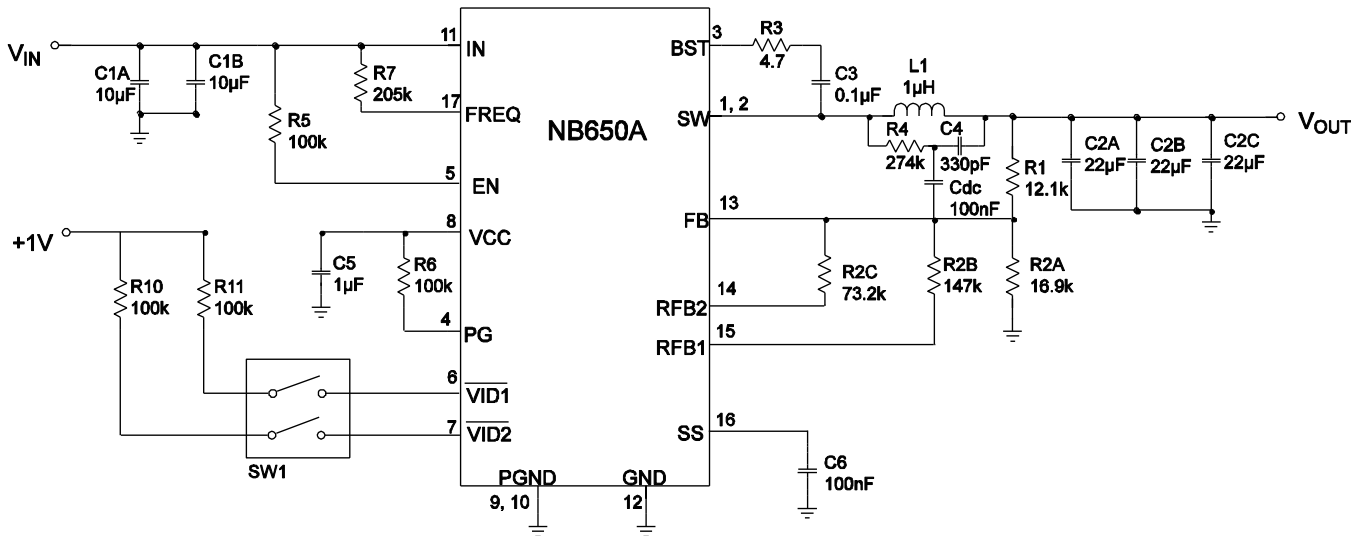
$$I_{LP} = I_{OUT} + \frac{V_{OUT}}{2f_{SW} \times L} \times \left(1 - \frac{V_{OUT}}{V_{IN}}\right) \quad (34)$$

**TYPICAL APPLICATION**


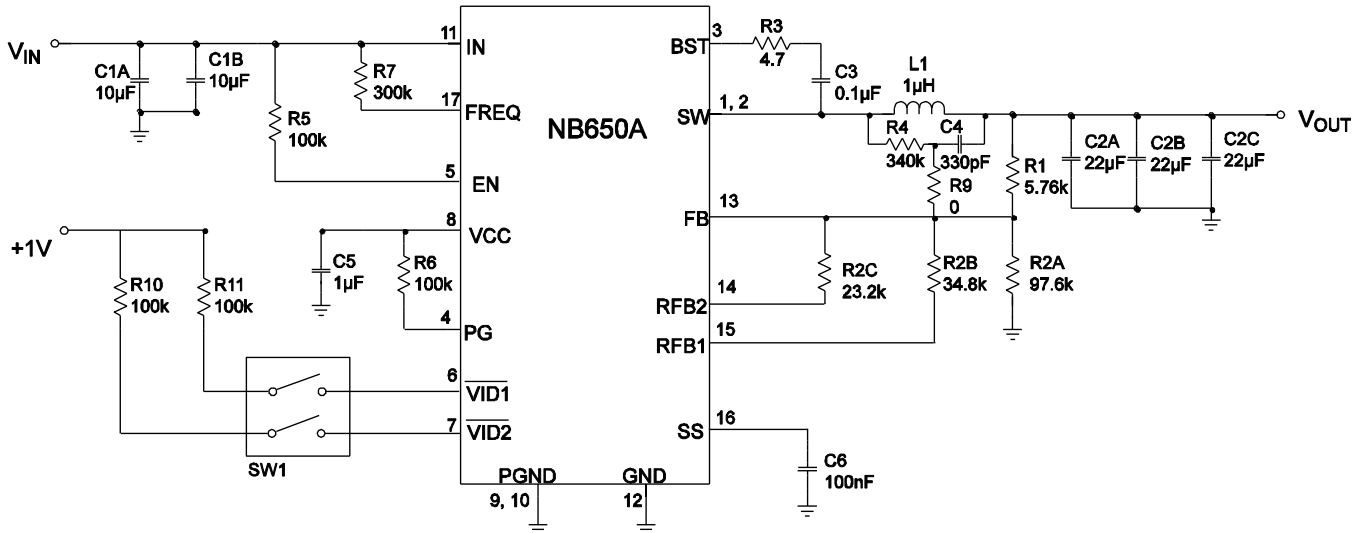
**Figure 12: Typical Application Circuit with No External Ramp**  
 $V_{IN} = 12V$ ,  $V_{OUT} = 1.05/1.15/1.20V$ ,  $I_{OUT} = 6A$ ,  $f_{SW} = 550kHz$



**Figure 13: Typical Application with Low-ESR Ceramic Capacitor**  
 $V_{IN} = 12V$ ,  $V_{OUT} = 1.05/1.10/1.15/1.20V$ ,  $I_{OUT} = 6A$ ,  $f_{SW} = 550kHz$

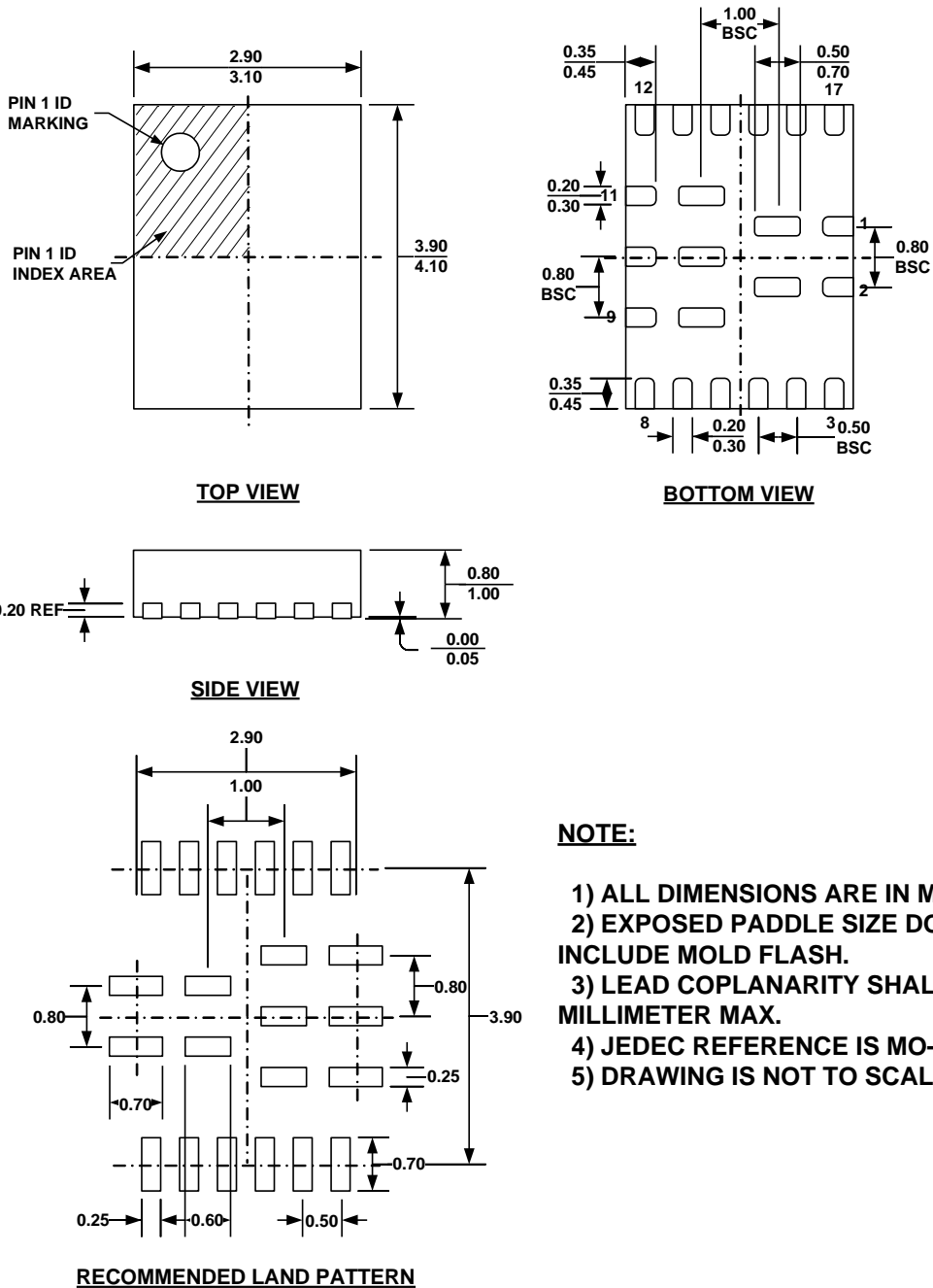


**Figure 14: Typical Application Circuit with Low-ESR Ceramic Capacitor and DC-Blocking Capacitor**  
 $V_{IN} = 12V$ ,  $V_{OUT} = 1.05/1.10/1.15/1.20V$ ,  $I_{OUT} = 6A$ ,  $f_{SW} = 550kHz$



**Figure 15: Typical Application Circuit**  
 $V_{IN} = 19V$ ,  $V_{OUT} = 0.65/0.75/0.80/0.90V$ ,  $I_{OUT} = 6A$



**PACKAGE INFORMATION**
**QFN17 (3 x 4mm)**

**NOTE:**

- 1) ALL DIMENSIONS ARE IN MILLIMETERS.
- 2) EXPOSED PADDLE SIZE DOES NOT INCLUDE MOLD FLASH.
- 3) LEAD COPLANARITY SHALL BE 0.10 MILLIMETER MAX.
- 4) JEDEC REFERENCE IS MO-220.
- 5) DRAWING IS NOT TO SCALE.

**NOTICE:** The information in this document is subject to change without notice. Users should warrant and guarantee that third party Intellectual Property rights are not infringed upon when integrating MPS products into any application. MPS will not assume any legal responsibility for any said applications.