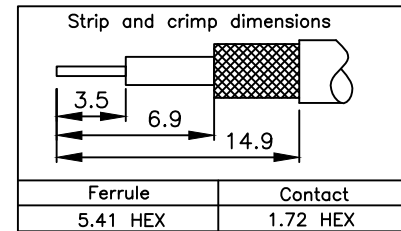
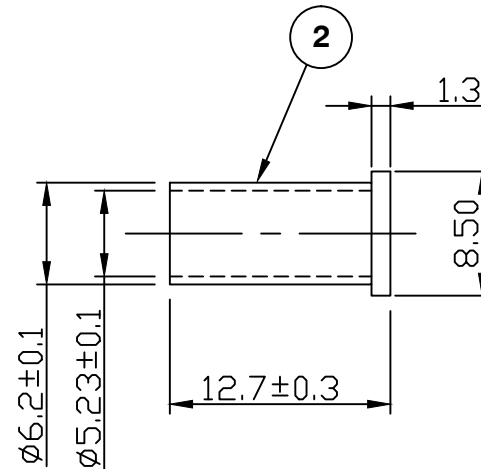
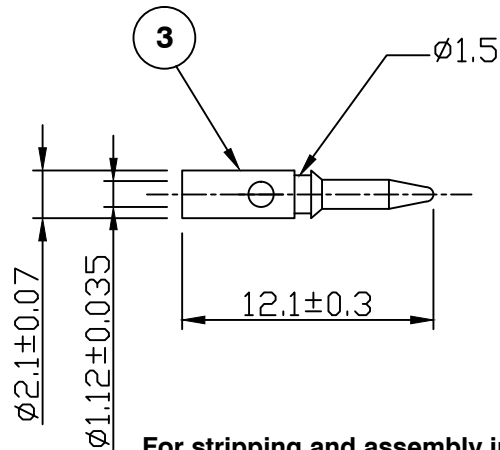
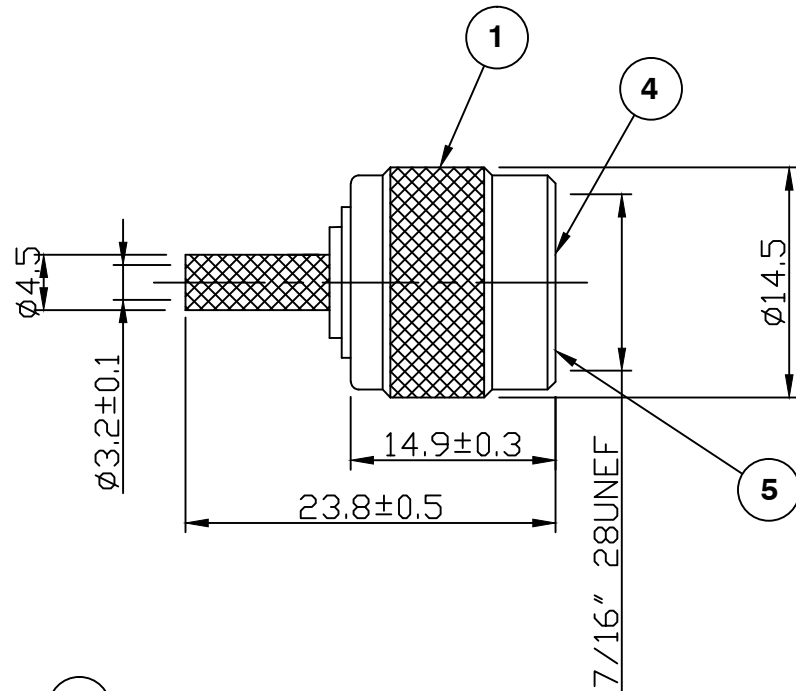


RoHS COMPLIANT



For stripping and assembly instructions see Drawing Number: VAIT1101

Electrical Characteristics

Nominal Impedance:	50 ohms
Frequency Range:	DC to 4.0 GHz
VSWR:	1.35:1 maximum
Insertion Loss:	0.2 dB at 3 GHz
Operating Voltage (rms):	500 V maximum at sea level
Dielectric Withstand Voltage (rms):	1500 V maximum at sea level
Contact Resistance:	1.5 milliohms maximum
Insulation Resistance:	5000 megohms minimum

Mechanical Characteristics

Mating Cycles:	500 cycles minimum
Interface Dimensions:	Conform to MIL-C-39012

Environmental Characteristics

Temperature Range:	-55 °C to +85 °C
--------------------	------------------

PART	DESCRIPTION
1	Body Zinc, Nickel Plated
2	Ferrule Brass, Nickel Plated
3	Contact Brass, Gold Plated
4	Dielectric POM, Natural
5	Gasket PVC, Red

DESCRIPTION OF REVISION	APPVD	ISS	DATE
ECN D17486 - Material / Dim Updates	MS	5	06 Jul 21
Altered Measurements	KA	4	28 Mar 08
Altered Measurements & changed Ferrule	KA	3	12 Oct 07
CAD Issue	SN	2	29 Jan 02
First Issue	AT	1	21 Jan 98



CINCH CONNECTIVITY SOLUTIONS
11 Bilton Road,
Chelmsford, Essex,
CM1 2UP, UK.
Tel: +44 (0) 1245 359515
Fax: +44 (0) 1245 358938

SCALE: Not To Scale
DIMENSIONS: mm
TOLERANCES:
± 0.2mm unless
otherwise stated

DRAWN BY: S Nash
CHECKED BY: S Nash
APPROVED BY: P Couzens
DATE: 29 Jan 02

TITLE:
TNC Crimp Plug for RG58

PART NUMBER:
VT10-2051

PAGE: 1 of 1