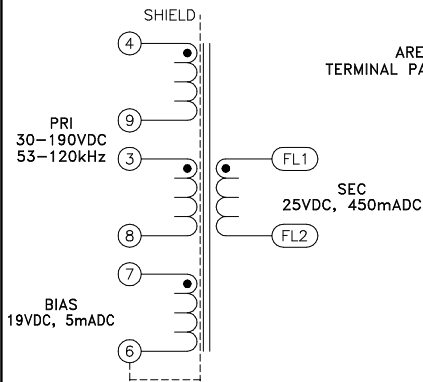
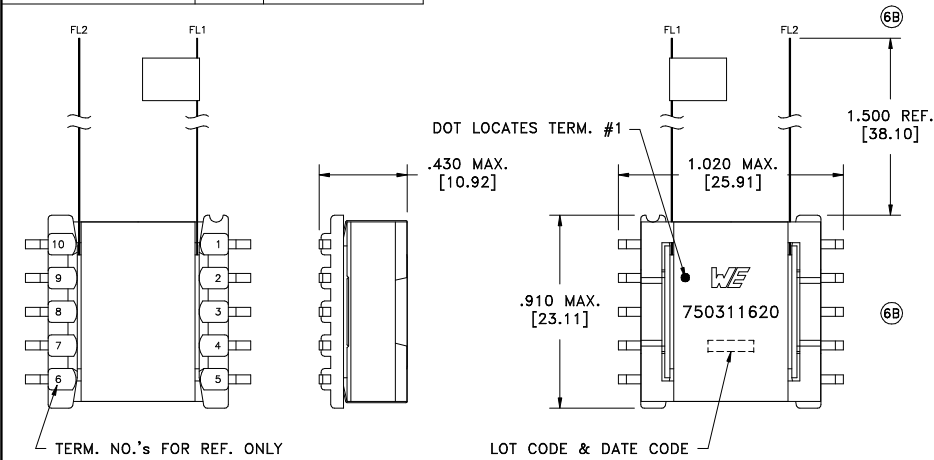


| | | |
|-------------------|------|---------------|
| CUSTOMER TERMINAL | RoHS | LEAD(Pb)-FREE |
| Sn96%, Ag4% | Yes | Yes |

more than you expect



Customer to tie terminals 3+9 internally on PC board.

ELECTRICAL SPECIFICATIONS @ 25°C unless otherwise noted:

| PARAMETER | TEST CONDITIONS | VALUE | |
|--------------------|-----------------|--|----------------------|
| D.C. RESISTANCE | 4-8 | tie(3+9), @20°C | 1.96 ohms ±20% |
| D.C. RESISTANCE | 7-6 | @20°C | 0.335 ohms ±20% |
| D.C. RESISTANCE | FL1-FL2 | @20°C | 0.110 ohms ±20% |
| INDUCTANCE | 4-8 | tie(3+9), 10kHz, 100mVAC, Ls | 1.90mH ±10% |
| SATURATION CURRENT | | 20% rolloff from initial | 620mA |
| LEAKAGE INDUCTANCE | 4-8 | tie(3+9, FL1+FL2), 100kHz, 100mVAC, Ls | 14uH typ., 20uH max. |
| DIELECTRIC | 4-FL1 | tie(3+9, 4+7), 4500VAC, 1 second | 4500VAC, 1 minute |
| URNS RATIO | | (4-8):(7-6), tie(3+9) | 7:1, ±2% |
| URNS RATIO | | (4-8):(FL1-FL2), tie(3+9) | 5.33:1, ±2% |
| URNS RATIO | | (4-9):(3-8) | 1:1, ±2% |

GENERAL SPECIFICATIONS:

OPERATING TEMPERATURE RANGE: -40°C to +125°C including temp rise.

Designed to comply with the following requirements as defined by IEC61558-2-17:
- Reinforced insulation for a primary circuit at a working voltage of 400VDC.

Wire insulation & RoHS status not affected by wire color.
Wire insulation color may vary depending on availability.

| | | | | | | |
|------|-------|--|----------------------|--|-------------------------------------|------------------------------|
| REV. | DATE | Packaging Specifications Method: Tray PKG-0058 www.we-online.com/midcom | | Tolerances unless otherwise specified: Angles: ±1° Decimals: ±.005 [.13] Fractions: ±1/64 Footprint: ±.005 [.13] | DRAWING TITLE TRANSFORMER | PART NO. 750311620 |
| 6B | 4/11 | | CONVENTION PLACEMENT | This drawing is dual dimensioned. Dimensions in brackets are in millimeters. | eiSos p/n: 750311620 | |
| 6A | 11/10 | SEE REVISION SHEET FOR REVISION LEVEL | REVISION LEVEL | | | SPECIFICATION SHEET 1 OF 1 |