

| FACE VIEW-FEMALE INSERT | | | | |
|-------------------------|--|---|---|---|
| | | | | |
| 1-WHITE 2-BLACK | 1-GREEN / YELLOW 2-BLACK 3-WHITE | 1-BLACK 2-WHITE 3-RED 4-GREEN / YELLOW | 1-WHITE 2-RED 3-GREEN / YELLOW 4-ORANGE 5-BLACK | 1-WHITE 2-RED 3-GREEN / YELLOW 4-ORANGE 5-BLACK 6-BLUE |

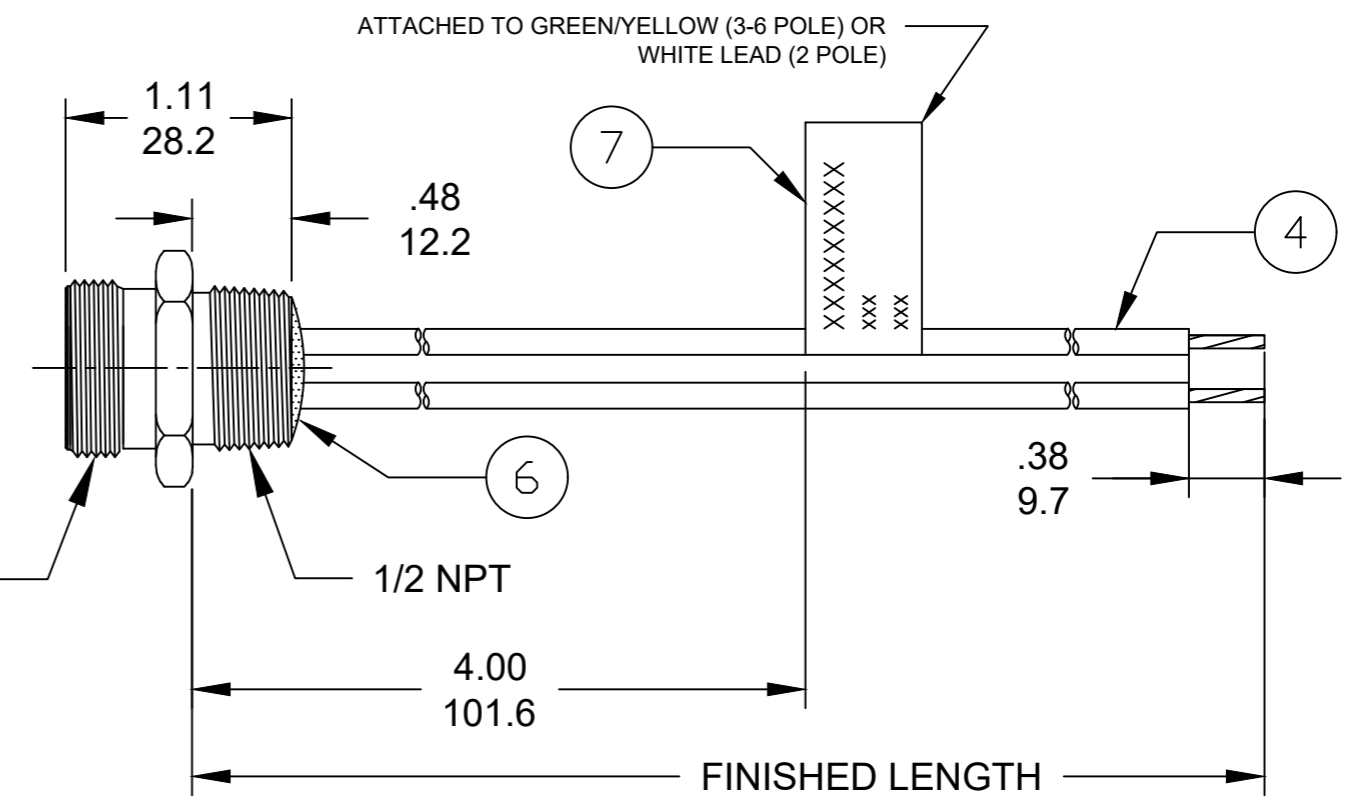
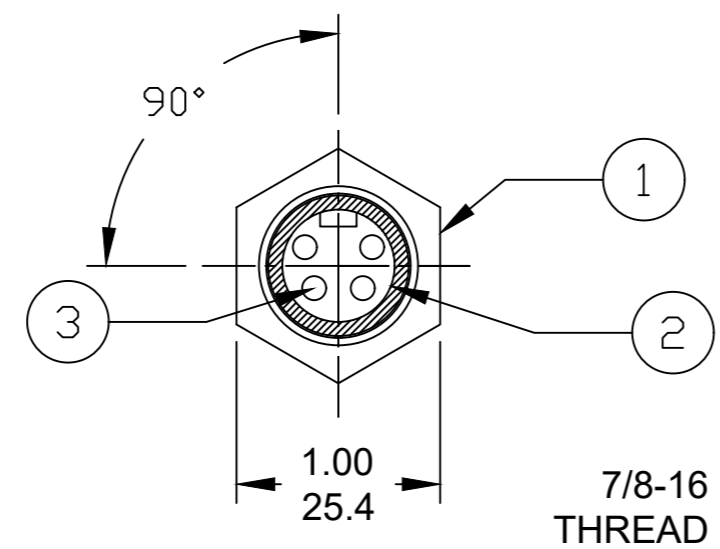
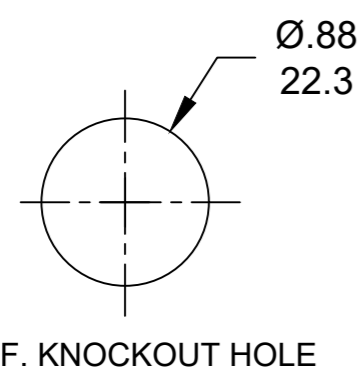
PART NO. MATRIX

1R3004A20F020

↑ POLES 2-6 ↑ FINISHED LENGTH:
A120= 12 IN.
F020= 2 FEET
F100= 10 FEET

M005= 0.5 METER
M010= 1 METER
M100= 10 METER

| CABLE LENGTH TOLERANCES | |
|--------------------------|-------------------------|
| >.3M [1FT]: | +19mm-0 [+.75in-0] |
| .3 - .9M [1 - 3FT]: | +44.5mm-0 [+1.75in-0] |
| .9 - 1.8M [3 - 6FT]: | +55.6mm-0 [+2.19in-0] |
| 1.8 - 3.7M [6 - 12FT]: | +88.9mm-0 [+3.50in-0] |
| 3.7 - 7.3M [12 - 24FT]: | +165.1mm-0 [+6.50in-0] |
| 7.3-14.6M [24 - 48FT]: | +317.5mm-0 [+12.50in-0] |
| 14.6 - 30.5M [48-100FT]: | +622.3mm-0 [+24.50in-0] |
| OVER 30M [100FT] | +2% OF FINISHED LENGTH |



- NOTES:
1. MATERIAL: SEE TABLE
 2. FINISH: SEE TABLE
 3. ELECTRICAL:
VOLTAGE: 2P THRU 6P 600V PER UL 2238
2 & 3P 500V PER IEC60664
4P 483V PER IEC60664
5 & 6P 400V PER IEC60664
CURRENT: 2P & 3P: 13A
4P: 10A
5P & 6P: 8A
 4. TEMP RATING: -20°TO +105°C
 5. PROTECTION: IP67 (WHEN MATED)
 6. UL RECOGNIZED, FILE: E152210
CSA CERTIFIED, FILE: LR6837 (B)
 7. ALL DIMENSIONS ARE FOR REFERENCE UNLESS TOLERANCED OR NOTED OTHERWISE

| PART NO | ENGINEERING NO. | FINISHED LENGTH |
|------------|-----------------|-------------------|
| 1300130060 | 1R2004A20A120 | 12 IN [0.3M] |
| 1300130148 | 1R3004A20F060 | 6 FT [1.8M] |
| 1300130457 | 1R5004A20F120 | 12 FT [3.6M] |
| 1300131011 | 1R6004A20M040 | 4.0M [13 FT 1 IN] |
| 1300130007 | 1R4004A20M060 | 6.0M [19 FT 8 IN] |

| ITEM | DESCRIPTION | MATERIAL | FINISH |
|------|------------------------|----------------|---------------|
| 6 | FLAG LABEL | VINYL | BLACK/YELLOW |
| 5 | POTTING MATERIAL | EPOXY | |
| 4 | WIRE, 16 AWG UL (1015) | PVC INSULATION | SEE FACE VIEW |
| 3 | CONTACT SOCKET | COPPER ALLOY | GOLD PLATED |
| 2 | FEMALE INSERT | TPE | YELLOW (B) |
| 1 | RECEPTACLE SHELL | ZINC DIE-CAST | BLACK |

| | | | | | |
|--|--|---|--|---|--|
| FUNCTIONAL SYMBOLS | | THIS DRAWING CONTAINS INFORMATION THAT IS PROPRIETARY TO MOLEX ELECTRONIC TECHNOLOGIES, LLC AND SHOULD NOT BE USED WITHOUT WRITTEN PERMISSION | | | |
| DIMENSION UNITS | | SCALE | | | |
| INCH/MM | | --- | | CURRENT REV DESC: ITEM #2 WAS PVC, CSA ADDED IN NOTES & MATERIAL TABLE MODIFIED | |
| GENERAL TOLERANCES (UNLESS SPECIFIED) | | EC NO: 641453 | | MINI-CHANGE RECEPTACLE, A-SIZE | |
| 4 PLACES ±--- | | DRWN: ABENJAMINLW 2020/05/21 | | 2-6P, FEMALE, STRAIGHT, SINGLE KEY, 16 AWG | |
| 3 PLACES ±--- | | CHK'D: RSTONE 2020/07/20 | | PRODUCT CUSTOMER DRAWING | |
| 2 PLACES ±--- | | APPR: BWOODMAN 2020/07/27 | | DOCUMENT NUMBER | |
| 1 PLACE ±--- | | INITIAL REVISION: | | SD-130013-121 | |
| 0 PLACES ±--- | | DRWN: RSTONE 2016/12/05 | | PSD 001 B | |
| ANGULAR TOL ± 0.5° | | APPR: BWOODMAN 2017/01/16 | | DOC TYPE/DOC PART/REVISION | |
| DRAFT WHERE APPLICABLE MUST REMAIN WITHIN DIMENSIONS | | THIRD ANGLE PROJECTION | | MATERIAL NUMBER | |
| | | DRAWING | | CUSTOMER | |
| | | B-SIZE | | GENERAL MARKET | |
| | | SERIES | | SHEET NUMBER | |
| | | 130066 | | 1 OF 1 | |