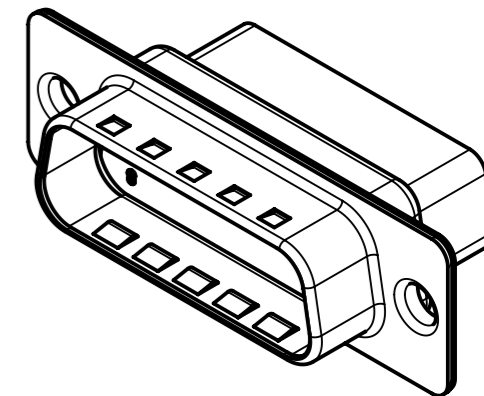
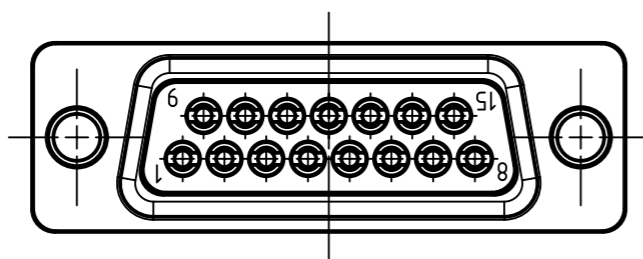
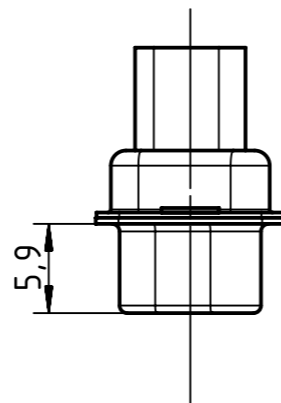
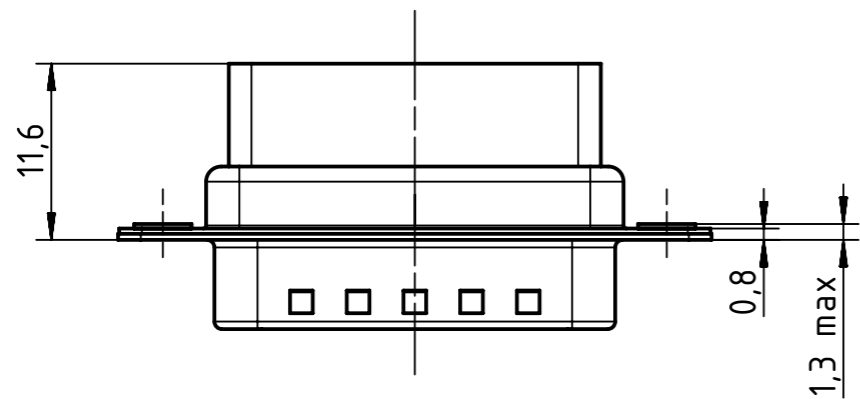
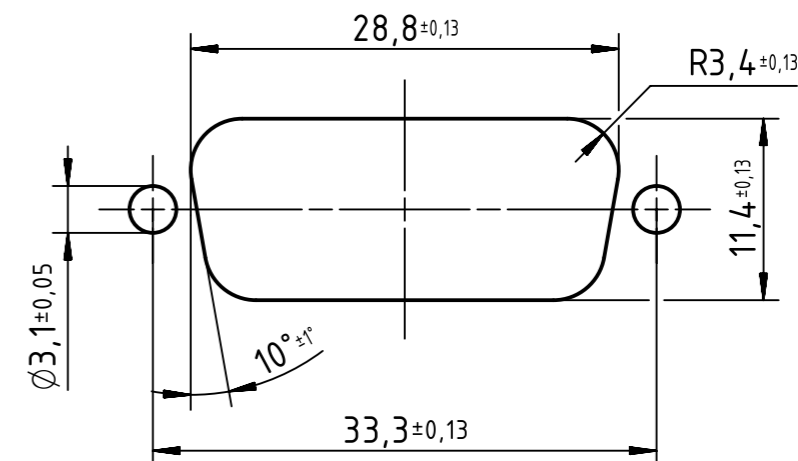


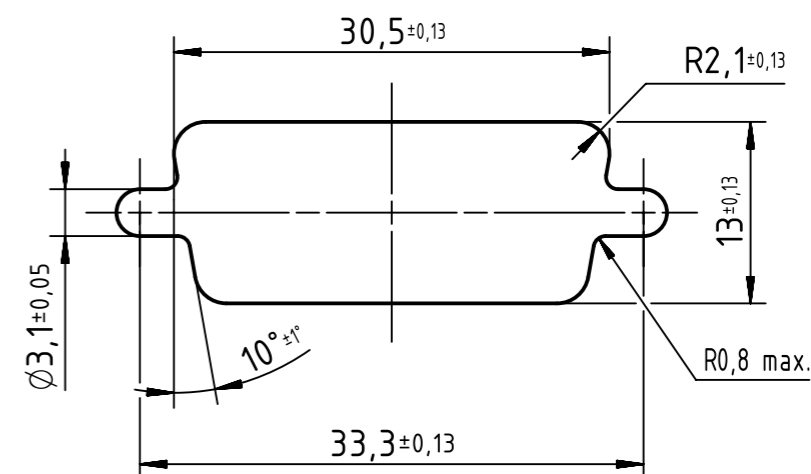
Mating face according to CECC 75301-802



### Rear mounting panel cut out



### Front mounting panel cut out



	All rights reserved		Created by ZHUANGJ		Inspected by LUOK		Standardisation HOFFMANN		Date 2017-04-06		State Final Release	
	Department EC PD - CN		Title D-Sub crimp 15-pole male assembly		Type TB		Number 09670155601		Doc-Key / ECM-Nr. 100235540/UGD/001/B 500000117639		Rev. B Page 1/1	
HARTING Electronics GmbH		D-32339 Espelkamp		Scale 2:1		Free size tol.		Ref.		Sub.		