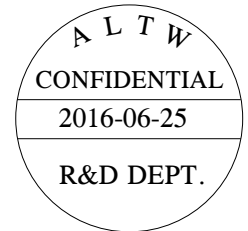
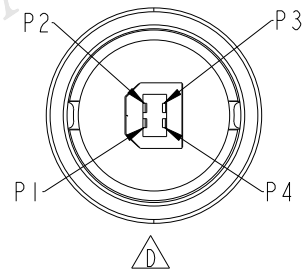
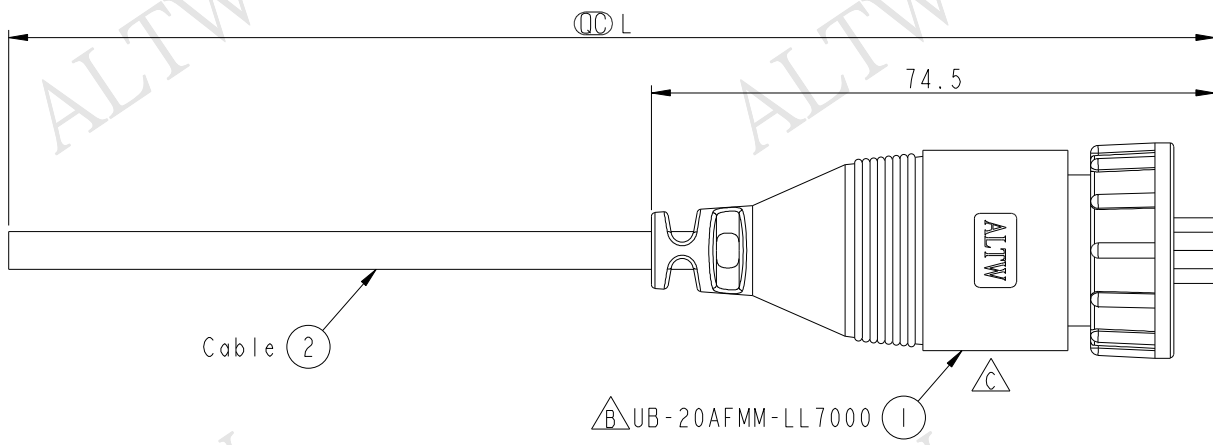


REV.	ECN NO.	DATE	SIGN	DESCRIPTION
B	LE3-830056	2008/03/11	Li Chi Cheng	Change Views
C	LEN15C0113~16	2015/11/05	Ruru	Change Logo
D	LEN1660935~38	2016/06/25	Jinhai	Change Gasket



UB-20AFMM-LL7AXX
 XX: 01~05Meters
 01: 01Meters
 02: 02Meters
 :
 :
 05: 05Meters
 Cable Length(L): 01~05Meters

Shielded	Drain	地線
4	Black (24 AWG)	黑
3	Green (28 AWG)	綠
2	White (28 AWG)	白
1	Red (24 AWG)	紅
Conn	Wire Color	

Twist

Note:
 * (L) Important Dimension
 * Waterproof Rate: IP67
 * Connector: USB B Type Male Solder Type
 * Cable: USB 2.0, 28#*1P+24#*2C+A1/My+D+B, PVC Jacket UV Resistant, OD=5.0, Black
 * All Parts Are RoHS Compliant

UNIT:mm	
TOLERANCE	±0.5 mm

TITLE Large Size USB B Molding Type			
SCALE 1:1	SIZE A4	SHEET 1 OF 1	
REV. D	WC-REV. A.1	(L) Inspection item	

Amphenol LTW
 安費諾亮泰企業股份有限公司

ITEM NO	DRAWN BY Jinhai	DATE 2016-06-25
DWG NO UB-20AFMM-LL7AXX	CHECKED BY Feng-li	DATE 2016-06-25
CUSTOMER ALTW	APPROVED BY Jerry	DATE 2016-06-25

THIS DOCUMENT IS SUBJECT TO CHANGE WITHOUT NOTICE. IT IS CONFIDENTIAL AND A PROPERTY OF Amphenol LTW. DISCLOSURE TO THIRD PARTY HAS TO BE AUTHORIZED BY Amphenol LTW.