

REV.

microtran COMPANY INC.

VALLEY STREAM, N.Y.
GARDENA, CALIF.

576-761

FRACTIONS ± 1/64
DECIMALS ± .005

ANGLES ± 1/4°
HOLES ± .002

SCALE

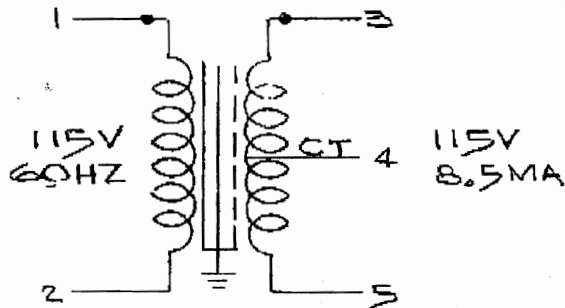
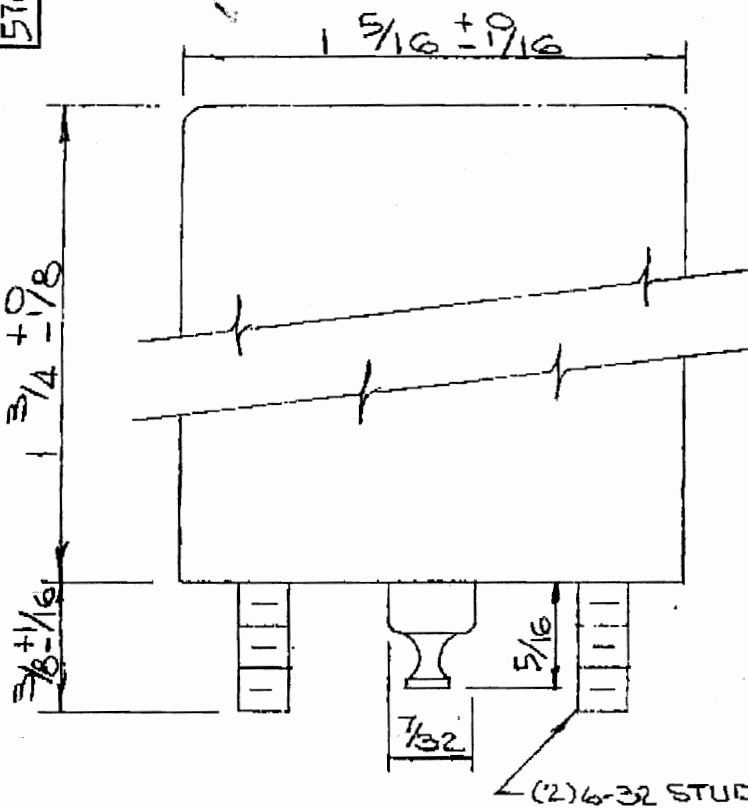
OUTLINE DWG M8094

DATE
9-26-69

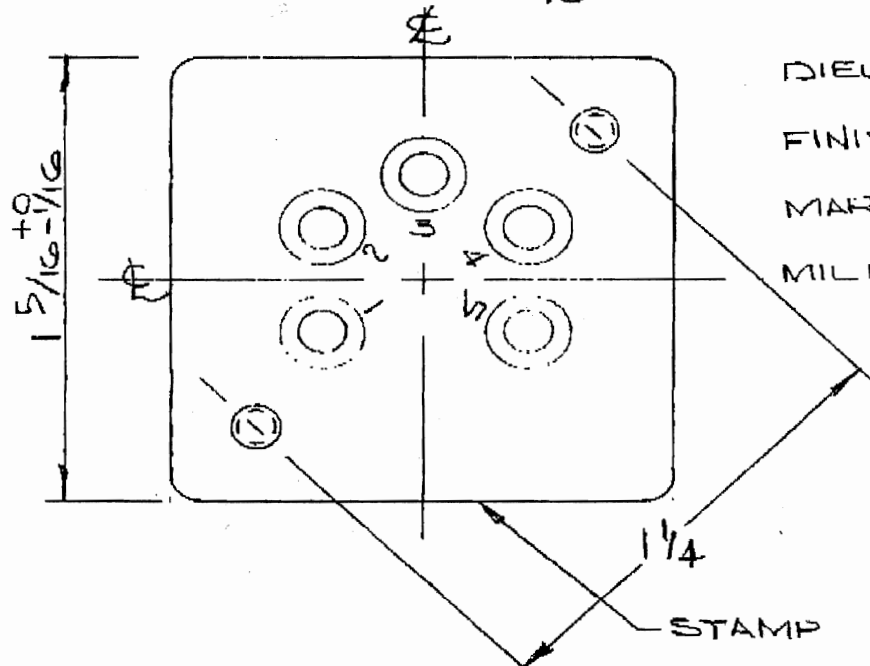
BY
L.P. BROWN

CKD. F.S.

APP.



TERMS. MOUNTED ON 5/8 DIA 60° APART



DIELECTRIC STR-500V RMS
FINISH- GREY ENAMEL
MARKING- PER MIL-T-27
MIL DESIGNATION- TFXR01AH

576-761

REV.