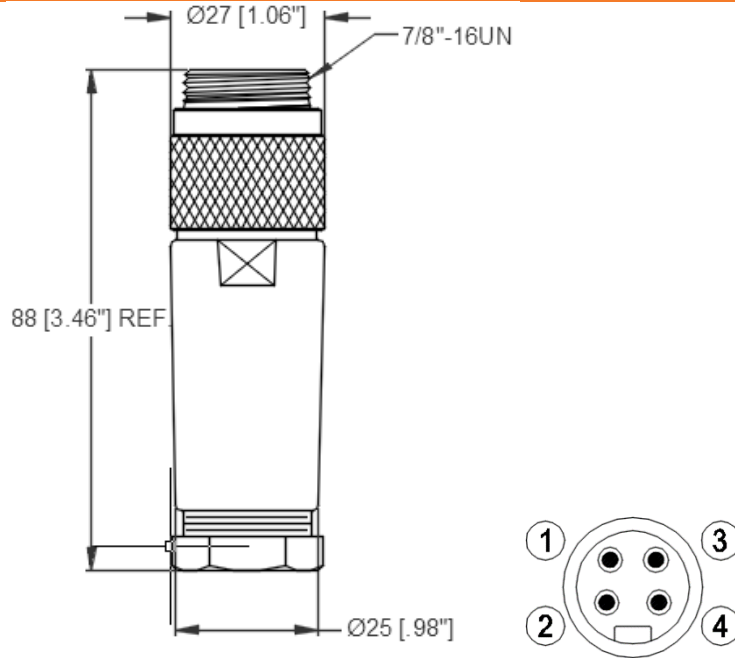


Drawing



Technical Data

| Part Number | Cable Diameter Range |
|-----------------------|----------------------------------|
| 220LR11 | 0.315" – 0.394" (8.0 – 10.0 mm) |
| 220LR13 | 0.394" – 0.472" (10.0 – 12.0 mm) |
| 220LR16 | 0.472" – 0.551" (12.0 – 14.0 mm) |
| 220LR9 | 0.236" – 0.315" (6.0 – 8.0 mm) |
| Mechanical | |
| Housing | Polyamide |
| Insert | Polyurethane |
| Contact | Copper Alloy, Gold Plated |
| Coupling Nut | Aluminum, anodized black |
| O-Ring | NBR |
| Connection | Screw Terminal |
| Max AWG | 16 (1.5mm ²) |
| Electrical | |
| Contact Resistance | ≤ 5 mΩ |
| Nom. Current @ 40°C | 9 A |
| Nominal Voltage | 240 V |
| Rated Voltage | 250 V |
| Test Voltage | 1.5 kV eff./60 s |
| Insulation Resistance | > 10 ⁹ Ω |

Issue: 1 Issue Date: 4/18/2016 Effective Date: 5/18/2016

| | |
|---------------------------------|--|
| UL File | E485156 (Except 220LR9) |
| Environmental | |
| Degree of Protection | IP 67/ NEMA 6P |
| Operating Temperature Range | -40C (-40F)/ +90C (+194F) |
| CE | All materials used in the manufacture of this part meet the requirements of European Directive 2011/65/EU regarding the restriction of use of certain hazardous substances in electrical and electronic equipment. Exemption used; 6a. |
| REACH Regulation (EC 1907/2006) | This product does not contain Substances of Very High Concern (SVHC) listed on the European Union's REACH candidate list in excess of 0.1% mass of the item. |
| Ordering Information | |
| 220LR11 NC032 | Each |
| 220LR13 NC032 | Each |
| 220LR16 NC032 | Each |
| 220LR9 NC032 | Each |

Although Alpha Wire ("Alpha") makes every reasonable effort to ensure their accuracy at the time of this publication, information and specifications described herein are subject to error or omission and to change without notice, and the listing of such information and specifications does not ensure product availability. Alpha provides the information and specification herein on an "AS IS" basis, with no representations or warranties, whether express, statutory or implied. In no event will Alpha be liable any damages (including consequential, indirect, incidental, special, punitive, or exemplary damages) whatsoever, even if Alpha has been advised of the possibility of such damages, whether in an action under contract, negligence or any other theory, arising out of or in connection with the use, or inability to use, the information or specification described herein.