

TPS78833EVM
LDO Regulator Evaluation Module

User's Guide

IMPORTANT NOTICE

Texas Instruments Incorporated and its subsidiaries (TI) reserve the right to make corrections, modifications, enhancements, improvements, and other changes to its products and services at any time and to discontinue any product or service without notice. Customers should obtain the latest relevant information before placing orders and should verify that such information is current and complete. All products are sold subject to TI's terms and conditions of sale supplied at the time of order acknowledgment.

TI warrants performance of its hardware products to the specifications applicable at the time of sale in accordance with TI's standard warranty. Testing and other quality control techniques are used to the extent TI deems necessary to support this warranty. Except where mandated by government requirements, testing of all parameters of each product is not necessarily performed.

TI assumes no liability for applications assistance or customer product design. Customers are responsible for their products and applications using TI components. To minimize the risks associated with customer products and applications, customers should provide adequate design and operating safeguards.

TI does not warrant or represent that any license, either express or implied, is granted under any TI patent right, copyright, mask work right, or other TI intellectual property right relating to any combination, machine, or process in which TI products or services are used. Information published by TI regarding third-party products or services does not constitute a license from TI to use such products or services or a warranty or endorsement thereof. Use of such information may require a license from a third party under the patents or other intellectual property of the third party, or a license from TI under the patents or other intellectual property of TI.

Reproduction of information in TI data books or data sheets is permissible only if reproduction is without alteration and is accompanied by all associated warranties, conditions, limitations, and notices. Reproduction of this information with alteration is an unfair and deceptive business practice. TI is not responsible or liable for such altered documentation.

Resale of TI products or services with statements different from or beyond the parameters stated by TI for that product or service voids all express and any implied warranties for the associated TI product or service and is an unfair and deceptive business practice. TI is not responsible or liable for any such statements.

Mailing Address:

Texas Instruments
Post Office Box 655303
Dallas, Texas 75265

EVM IMPORTANT NOTICE

Texas Instruments (TI) provides the enclosed product(s) under the following conditions:

This evaluation kit being sold by TI is intended for use for **ENGINEERING DEVELOPMENT OR EVALUATION PURPOSES ONLY** and is not considered by TI to be fit for commercial use. As such, the goods being provided may not be complete in terms of required design-, marketing-, and/or manufacturing-related protective considerations, including product safety measures typically found in the end product incorporating the goods. As a prototype, this product does not fall within the scope of the European Union directive on electromagnetic compatibility and therefore may not meet the technical requirements of the directive.

Should this evaluation kit not meet the specifications indicated in the EVM User's Guide, the kit may be returned within 30 days from the date of delivery for a full refund. **THE FOREGOING WARRANTY IS THE EXCLUSIVE WARRANTY MADE BY SELLER TO BUYER AND IS IN LIEU OF ALL OTHER WARRANTIES, EXPRESSED, IMPLIED, OR STATUTORY, INCLUDING ANY WARRANTY OF MERCHANTABILITY OR FITNESS FOR ANY PARTICULAR PURPOSE.**

The user assumes all responsibility and liability for proper and safe handling of the goods. Further, the user indemnifies TI from all claims arising from the handling or use of the goods. Please be aware that the products received may not be regulatory compliant or agency certified (FCC, UL, CE, etc.). Due to the open construction of the product, it is the user's responsibility to take any and all appropriate precautions with regard to electrostatic discharge.

EXCEPT TO THE EXTENT OF THE INDEMNITY SET FORTH ABOVE, NEITHER PARTY SHALL BE LIABLE TO THE OTHER FOR ANY INDIRECT, SPECIAL, INCIDENTAL, OR CONSEQUENTIAL DAMAGES.

TI currently deals with a variety of customers for products, and therefore our arrangement with the user **is not exclusive**.

TI assumes **no liability for applications assistance, customer product design, software performance, or infringement of patents or services described herein**.

Please read the EVM User's Guide and, specifically, the EVM Warnings and Restrictions notice in the EVM User's Guide prior to handling the product. This notice contains important safety information about temperatures and voltages. For further safety concerns, please contact the TI application engineer.

Persons handling the product must have electronics training and observe good laboratory practice standards.

No license is granted under any patent right or other intellectual property right of TI covering or relating to any machine, process, or combination in which such TI products or services might be or are used.

Mailing Address:

Texas Instruments
Post Office Box 655303
Dallas, Texas 75265

DYNAMIC WARNINGS AND RESTRICTIONS

It is important to operate this EVM within the input voltage range of 2.7–13.5 V and the output current range of 0 mA to 150 mA.

Exceeding the specified input range may cause unexpected operation and/or irreversible damage to the EVM. If there are questions concerning the input range, please contact a TI field representative prior to connecting the input power.

Applying loads outside of the specified output range may result in unintended operation and/or possible permanent damage to the EVM. Please consult the EVM User's Guide prior to connecting any load to the EVM output. If there is uncertainty as to the load specification, please contact a TI field representative.

During normal operation, some circuit components may have case temperatures greater than 85°C. The EVM is designed to operate properly with certain components above 85°C as long as the input and output ranges are maintained. These components include but are not limited to linear regulators, switching transistors, pass transistors, and current sense resistors. These types of devices can be identified using the EVM schematic located in the EVM User's Guide. When placing measurement probes near these devices during operation, please be aware that these devices may be very warm to the touch.

Mailing Address:

Texas Instruments
Post Office Box 655303
Dallas, Texas 75265

Preface

About This Manual

This user's guide describes the TPS78833EVM LDO regulator evaluation module. Each EVM contains an SLVP191 test board with a TPS78833DBV low dropout linear regulator as well as supporting passive components. The SLVP191 test board provides a convenient method of evaluating the performance of the TPS788xx linear regulator family as well as other SOT-23 packaged linear regulators with the same pinout.

How to Use This Manual

- Chapter 1—Introduction
- Chapter 2—EVM Test Setup
- Chapter 3—Test Results

Related Documentation From Texas Instruments

- TPS788xx data sheet (literature number SLVS382)



Contents

1	Introduction	1-1
1.1	TPS788xx Family of LDO Regulators	1-2
1.2	EVM Design Strategy	1-2
1.3	Schematic	1-3
1.4	Bill of Materials	1-3
1.5	Board Layout	1-4
2	EVM Test Setup	2-1
3	Test Results	3-1

Figures

1-1	TPS78833EVM Schematic Diagram	1-3
1-2	Top Layer	1-4
1-3	Bottom Layer	1-4
1-4	Assembly Drawing—Top	1-5
2-1	Recommended TPS78833/25EVM Test Setup	2-1
3-1	Output Voltage, Enable Voltage vs Time (Start-Up)	3-1

Tables

1-1	TPS78833EVM Bill of Materials	1-3
-----	-------------------------------------	-----



Introduction

This user's guide describes the TPS78833EVM LDO regulator evaluation module (SLVP191). Each EVM contains an SLVP191 test board with a TPS78833DBV low dropout linear regulator as well as supporting passive components.

Topic	Page
1.1 TPS788xx Family of LDO Regulators	1-2
1.2 EVM Design Strategy	1-2
1.3 Schematic	1-3
1.4 Bill of Materials	1-3
1.5 Board Layout	1-4

1.1 TPS788xx Family of LDO Regulators

The TPS788xx family of LDO regulators consists of small SOT–23 packaged regulators capable of delivering 150 mA of output current. The SR pin of the part can be used to control the output voltage slew rate and therefore the in-rush current of the device. In-rush current control is critical for many USB applications. Other features of the part include:

- $V_{I(\max)} = 13.5\text{ V}$
- Low 17- μA quiescent current across entire load range
- Less than 1- μA quiescent current in standby mode
- Low dropout voltage (typically 150 mV at 150 mA)
- Over current and thermal protection

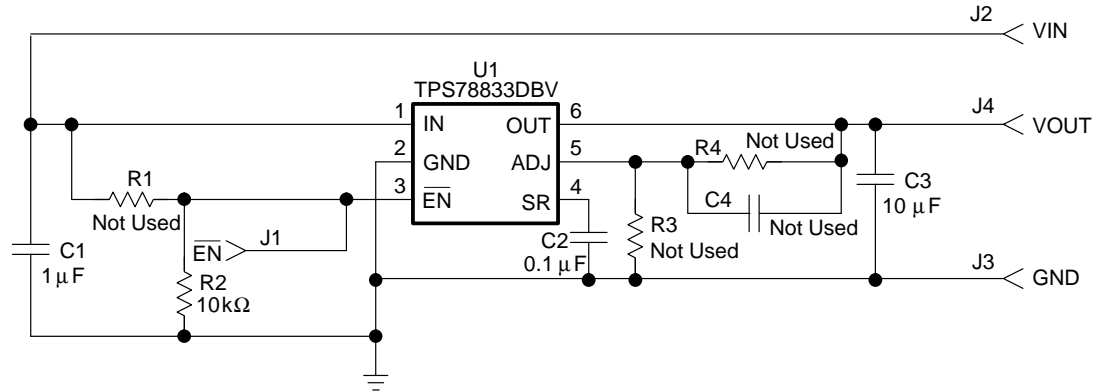
1.2 EVM Design Strategy

The purpose of this EVM is to facilitate evaluation of the TPS788xx family of LDO regulators. Each EVM contains an SLVP191 test board with a TPS78833DBV low dropout linear regulator as well as supporting passive components. Also, the board's small size and side clips facilitate attaching it to other PCB's as a power module.

1.3 Schematic

Figure 1–1 shows the SLVP191 PCB schematic diagram, which is used in the TPS78833EVM.

Figure 1–1. TPS78833EVM Schematic Diagram



1.4 Bill of Materials

Table 1–2 lists materials required for the TPS78833 EVMs.

Table 1–1. TPS78833EVM Bill of Materials

Qty	Ref Des	Description	Size	MFR	Part Number
1	C1	Capacitor, Ceramic, 1.0- μ F, 6.3 V, 10%	603	Murata	GRM39X7R105K6.3
1	C2	Capacitor, Ceramic, 0.1- μ F, 16 V, 10%	603	Murata	GRM39X7R104K016D
1	C3	Capacitor, Tantalum, 10- μ F, 10 V, 20%	B Case	VISHAY	293D106X0010B2T
	C4	Not used	603		
1	J1	Clip, Surface-mount, 0.040 board, 0.090 standoff	0.100"	NAS Interplex	CA26DA-D36W-0FC
1	J2	Clip, Surface-mount, 0.040 board, 0.090 standoff	0.100"	NAS Interplex	CA26DA-D36W-0FC
1	J3	Clip, Surface-mount, 0.040 board, 0.090 standoff	0.100"	NAS Interplex	CA26DAD36W-0FC
1	J4	Clip, Surface-mount, 0.040 board, 0.090 standoff	0.100"	NAS Interplex	CA26DAD36W-0FC
	R1	Not used	603	Std	Std
1	R2	Resistor, Chip, 10.0 k Ω , 1/16 W, 1%	603	Std	Std
	R3	Not used	603	Std	Std
	R4	Not used	603	Std	Std
1	U1	IC, High PSRR, low noise LDO, 3.3 V, 100 mA	SOT23–5	TI	TPS78833DBV
1		PCB, 0.705 In \times 0.570 In \times 0.031		Any	SLVP191

1.5 Board Layout

Figures 1–2 and 1-3 show the board layout for the TPS78833EVM.

Figure 1–2. Top Layer

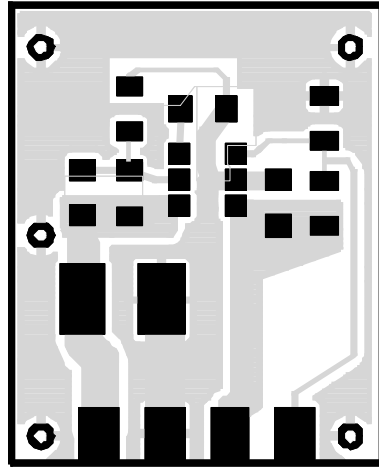


Figure 1–3. Bottom Layer

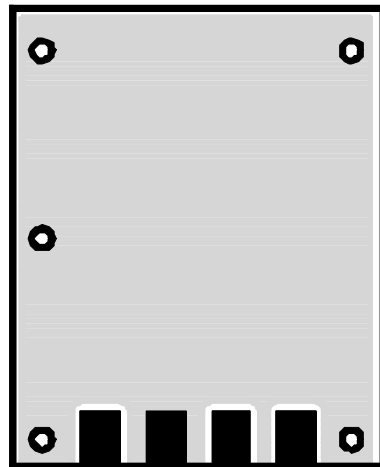
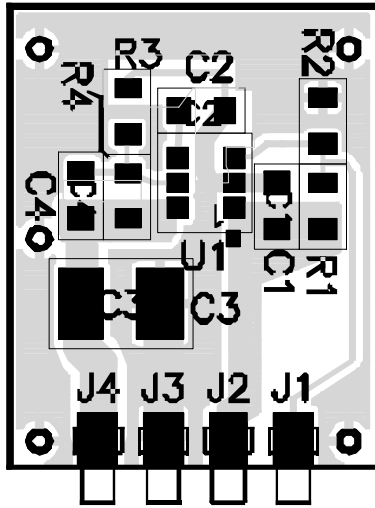


Figure 1–4. Assembly Drawing—Top

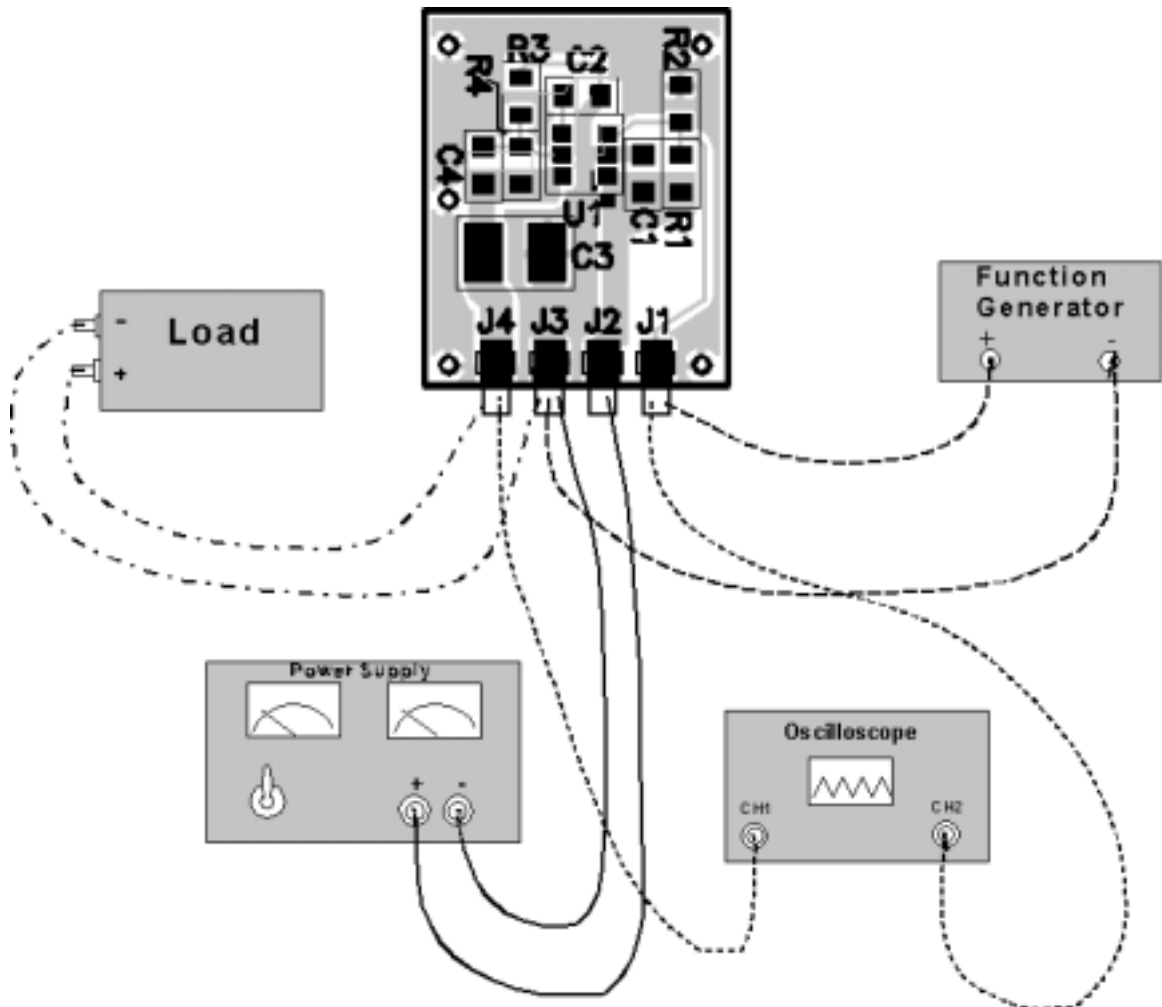




EVM Test Setup

This chapter provides recommended test equipment and procedure for performing evaluations using the TPS78833EVM. Figure 2–1 shows the test setup.

Figure 2–1. Recommended TPS78833EVM Test Setup



The settings for the test equipment shown in Figure 2–1 are described below:

- Power supply set to 5-V and 1-A current limit connected to IN (J2) and GND (J3).
- Function generator set to 1 Hz, 25% duty cycle, 0-V to 5-V amplitude square wave (may require setting of 2.5-V square wave and 2.5-V dc offset) with positive side connected to EN (J1) and negative to GND (J4)
- Oscilloscope with the time scale set to 10 ms/div, channel 1 connected to OUT (J4), and channel 2 connected to EN (J1). Set the oscilloscope to trigger off of the falling edge of channel 2 of the oscilloscope.
- Appropriately sized resistance for desired output current between OUT (J4) and GND (J3).

Powering up the device and function generator will result in an oscilloscope plot similar to the one in Chapter 3.

Test Results

This chapter gives laboratory test results of the TPS78833EVM obtained for the recommended test procedures in Chapter 2.

Figure 3–1 shows start up of the TPS78833 device with different capacitors on the SR pin.

Figure 3–1. Output Voltage, Enable Voltage vs Time (Start-Up)

