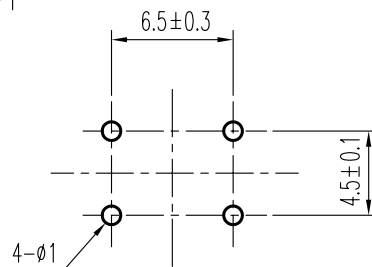
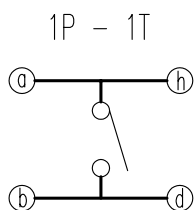
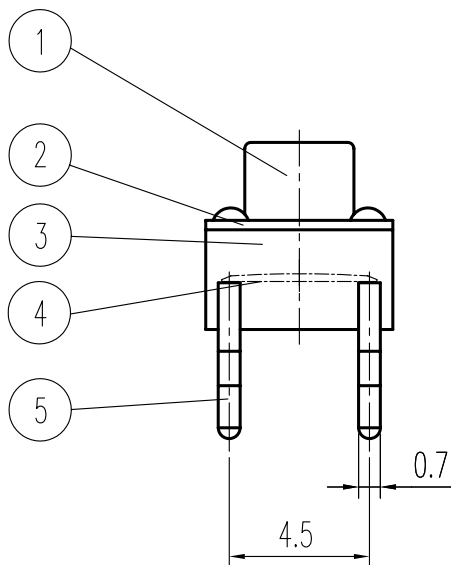
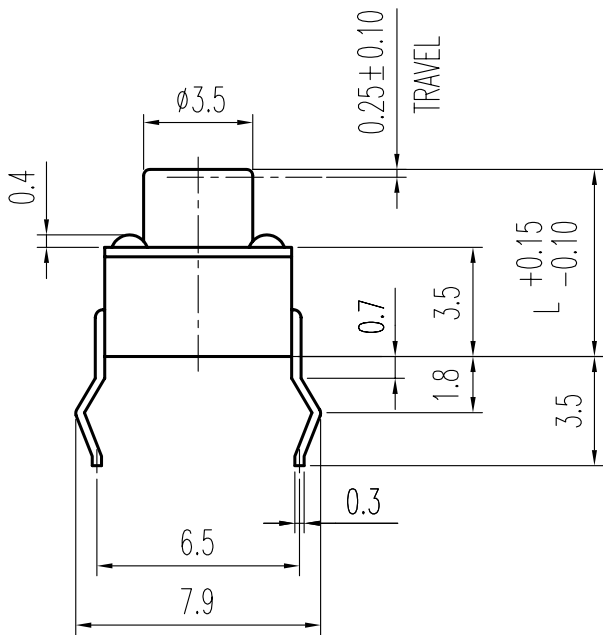


FORCE (gf)		KNOB COLOR	OPERATING LIFE WITH LOAD
H	100 ± 30	WHITE	100,000 Cycles
0	130 ± 30	GREY	
1	160 ± 30	BLACK	
3	250 ± 50	IVORY/GREEN	50,000 Cycles

L	
A	4.3
B	5
C	7
D	9.5
E	8
F	7.3
G	13.5
H	12.5



规格 Specifications

额定负荷 Ratings	DC 12_V 50m_A
初期接触电阻 Initial Contact Resistance	100_mΩ Max.
绝缘电阻 Insulation Resistance	DC 100_V 60_Sec. 100_MΩ Min.
抗电强度 Dielectric	AC 250_V (50~60HZ) 60_Sec.
操作力 Operating Force	见上表
负荷寿命 Operating Life With Load	见上表

示意图 SCHEMATIC

安装孔 PIERCING PLAN

序 NO.	零件 PART	材料 MATERIAL	数量 QTY	备注 REMARKS
5	端子 TERMINAL	C2680R	4	Ag PLATED
4	弹片 SPRING PLATE	C5210R	1	Ag CLAD
3	胶壳 HOUSING	P B T	1	BLACK C
2	盖片 COVER	POLY FILM	1	NATURAL
1	胶柄 KNOB	P B T	1	—

A05	删除300~500gf的操作力表栏	刘红梅	06-04-04
A04	变更 见 ③	刘红梅	06/03/8
A03	变更 见 ②	陶海平	05/9/12
A02	变更 见 ①	陶海平	05/5/17
A01		何锦洪	05/3/28
标号 REV	内容 DESCRIPTION	签名 SIGN.	日期 DATE
DWG NO. ITEM0292			

TOLERANCES UNLESS OTHERWISE SPEC.		TITLE	TACT SWITCH		ITEM NO	RS-014R	
UNDER 1	± 0.10	DRAWN	刘红梅	06-04-04	VERSION	A05	PAGE 1 OF 1
1 - 10	± 0.30	REVIEWED	张念明	06-04-04	SCALE		UNIT mm
OVER 10	± 0.50	APPROVED	林高全	06-04-07	PROJECTION		

COMAX ELECTRONICS (HUIZHOU) CO.,LTD.