

**MICRO SWITCH**

A DIVISION OF MONTROVILL HONEYWELL REGULATORS COMPANY  
FREDERICK, MICHIGAN

FED. MFR. CODE 91929

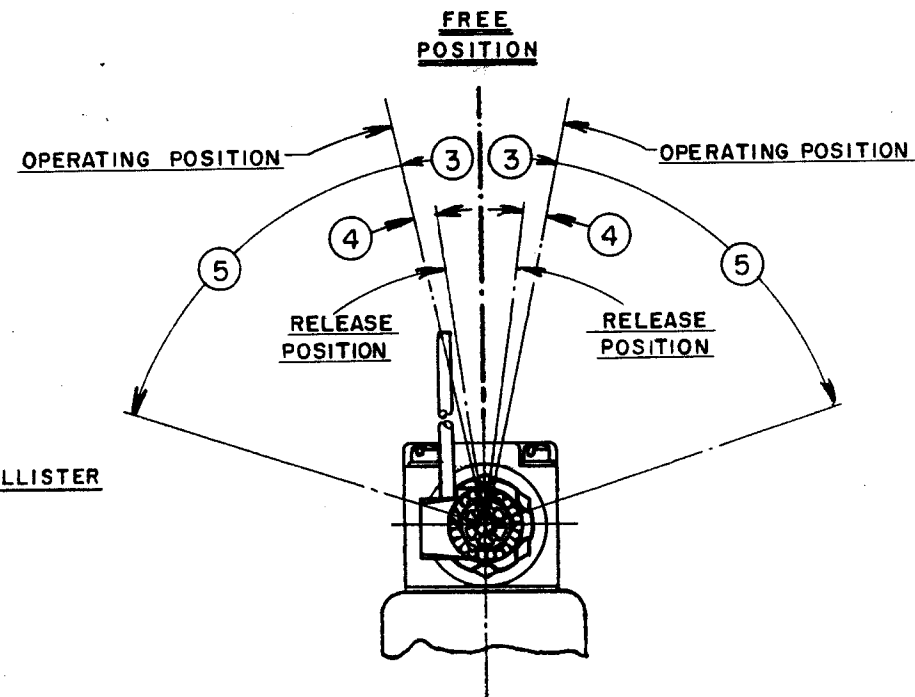
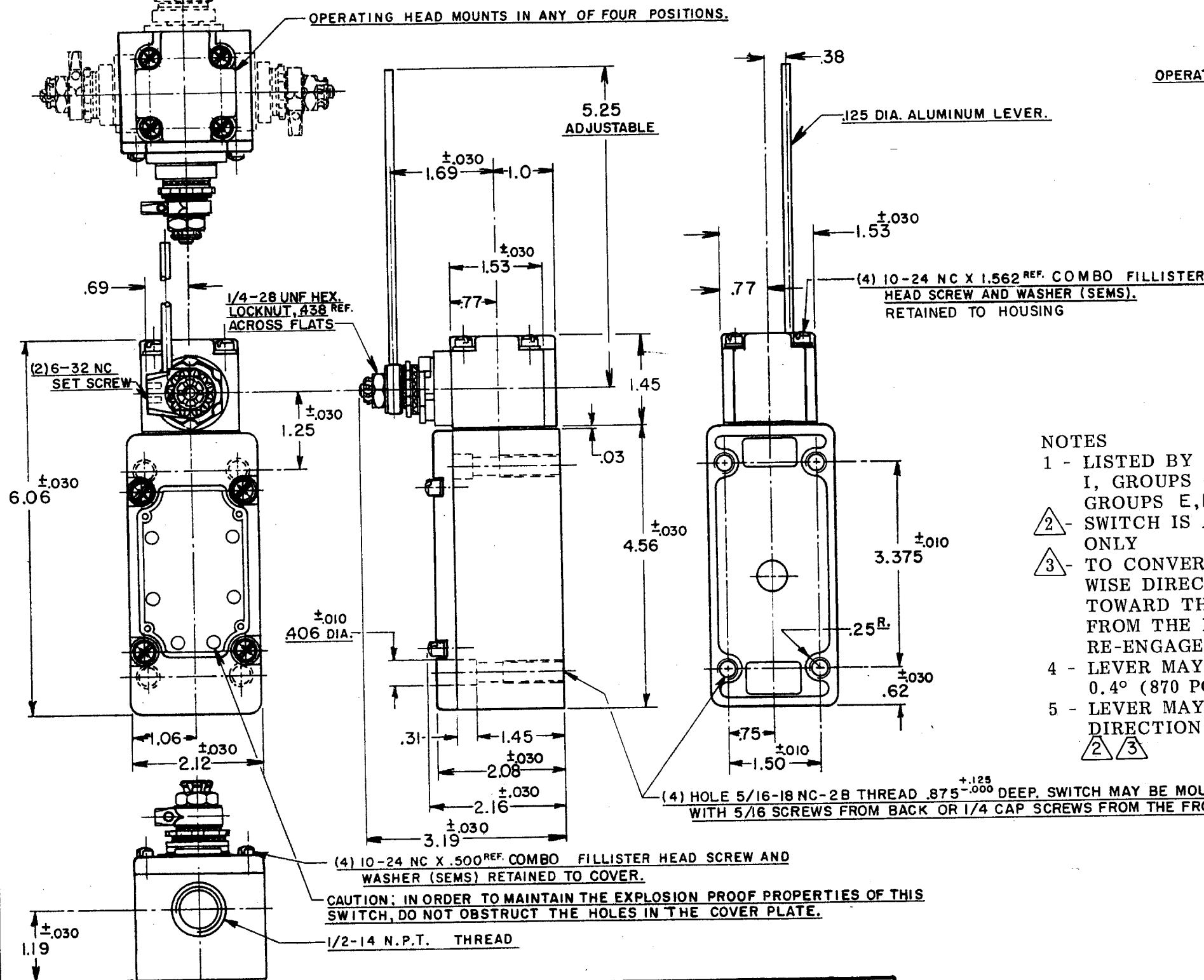
**SWITCH — ENCLOSED**

CATALOG LISTING  
**51ML10-E1**

THIS DRAWING COVERS A PROPRIETARY ITEM AND IS THE PROPERTY OF MICRO SWITCH, A DIVISION OF HONEYWELL. THIS DRAWING IS NOT TO BE COPIED OR USED WITHOUT THE APPROVAL OF MICRO SWITCH.



REPLACES: 51ML10-E1  
RELEASE NO. SR 5069  
DRAWING NUMBER: M 51ML10-E1  
ISSUE: 12  
REVISIONS:  
A C052194 J A P 26 SEPT 83  
B C058367 J A S 11 NOV 85  
C 655051-C T A D 6 JAN 86  
D CO 63739 D J S 15 JUN 88  
E C074287 G J W 17 APR 93  
CHECK: 30 SEPT 83  
DRAWN: J A P 26 SEPT 83



- NOTES
- 1 - LISTED BY UNDERWRITERS LABORATORY, INC. FOR USE IN CLASS I, GROUPS C AND D VAPOR-AIR ATMOSPHERE, AND CLASS 2, GROUPS E, F AND G DUST-AIR ATMOSPHERE
  - 2 - SWITCH IS ASSEMBLED FOR ACTUATION IN CLOCKWISE DIRECTION ONLY
  - 3 - TO CONVERT SWITCH FOR ACTUATION IN THE COUNTER-CLOCKWISE DIRECTION ONLY, REMOVE THE HEAD AND SLIDE THE CAM TOWARD THE REAR OF THE HEAD SUFFICIENTLY TO DISENGAGE FROM THE FLATS ON THE SHAFT. ROTATE THE CAM 180° AND RE-ENGAGE THE CAM WITH THE FLATS ON THE SHAFT
  - 4 - LEVER MAY BE POSITIVELY LOCKED AT INTERVALS OF APPROX 0.4° (870 POSITIONS)
  - 5 - LEVER MAY BE ADJUSTED TO ACTUATE IN THE CLOCKWISE DIRECTION ONLY OR THE COUNTER-CLOCKWISE DIRECTION ONLY
  - 7 - IT IS ESSENTIAL THAT THE CONDUIT OPENING BE PROPERLY SEALED IN ORDER TO MAINTAIN THE EXPLOSION PROOF PROPERTIES

| CHARACTERISTICS                      | ELECTRICAL DATA                                  | SCALE 1/2 TO 1                                      |
|--------------------------------------|--|---|
| OPERATING FORCE ——— 5 OZ. MAX.       | CONTACT ARRANGEMENT                              | DO NOT SCALE PRINT                                  |
| FULL OVERTRAVEL FORCE ——— 7 OZ. MAX. | S. P. D. T.                                      | UNLESS OTHERWISE SPECIFIED DIMENSIONS ARE IN INCHES |
| RELEASE FORCE ——— 3/4 OZ. MIN.       | 20 A-120, 240 OR 480 VAC; 3/4 H.P.-120 VAC       | <b>TOLERANCES ARE:</b>                              |
| PRETRAVEL ——— ③ 12° MAX.             | 1 1/2 H.P.-240 VAC; 1/2 A-115 VDC; 1/4 A-230 VDC | ONE PLACE (.0) ±.030                                |
| DIFFERENTIAL TRAVEL ——— ④ 4° MAX.    | PILOT DUTY: 720VA-HEAVY DUTY                     | TWO PLACE (.00) ±.015                               |
| OVERTRAVEL ——— ⑤ 60° MIN.            | 600 VAC MAX                                      | THREE PLACE (.000) ±.005                            |
| SWITCH-BASIC REPLACEMENT — IMK5      |  | ANGLES ±  |
|                                      |  | WEIGHT  |