



**PGLAND750 Wire Glands for Outdoor PoE Units**  
**Waterproof Glands to Protect Wire Ports in Wet Conditions**



**Features**

- UL94V-0
- Single Cable Gland – PGLAND750
- Wire Gland for Outdoor PoE
- Double Cable Gland PGLAND750-2

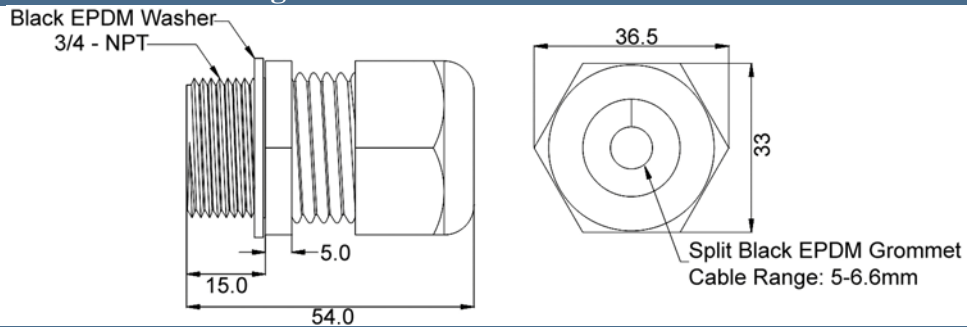
**Compatibility**

- POE33U-1AT
- POE61S-4AF
- POE33U-560DO

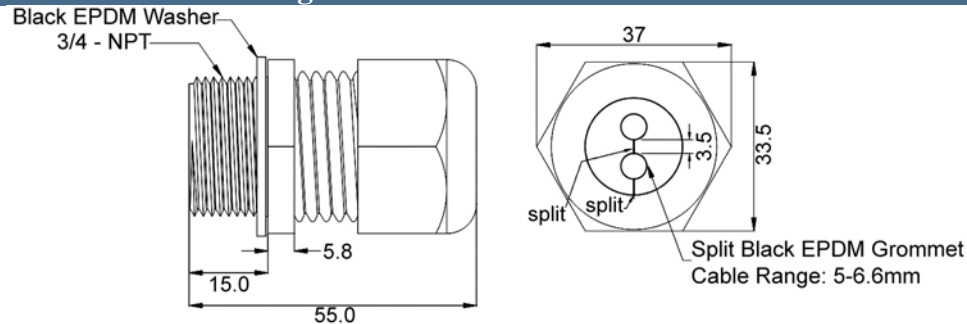
**Mechanical Characteristics**

- Length: 54.0mm (2.13in)
- Diameter (Tip to Tip): 36.5mm (1.29in)
- Diameter (Side to Side): 33.0mm (1.29in)
- Weight: 21.26g (0.75oz)

**PGLAND750 Dimension Diagram unit:mm**



**PGLAND750-2 Dimension Diagram unit:mm**



Phihong is not responsible for any error, and reserves the right to make changes without notice. Please visit our website at [www.phihong.com](http://www.phihong.com) for the most up-to-date specifications and contact information.