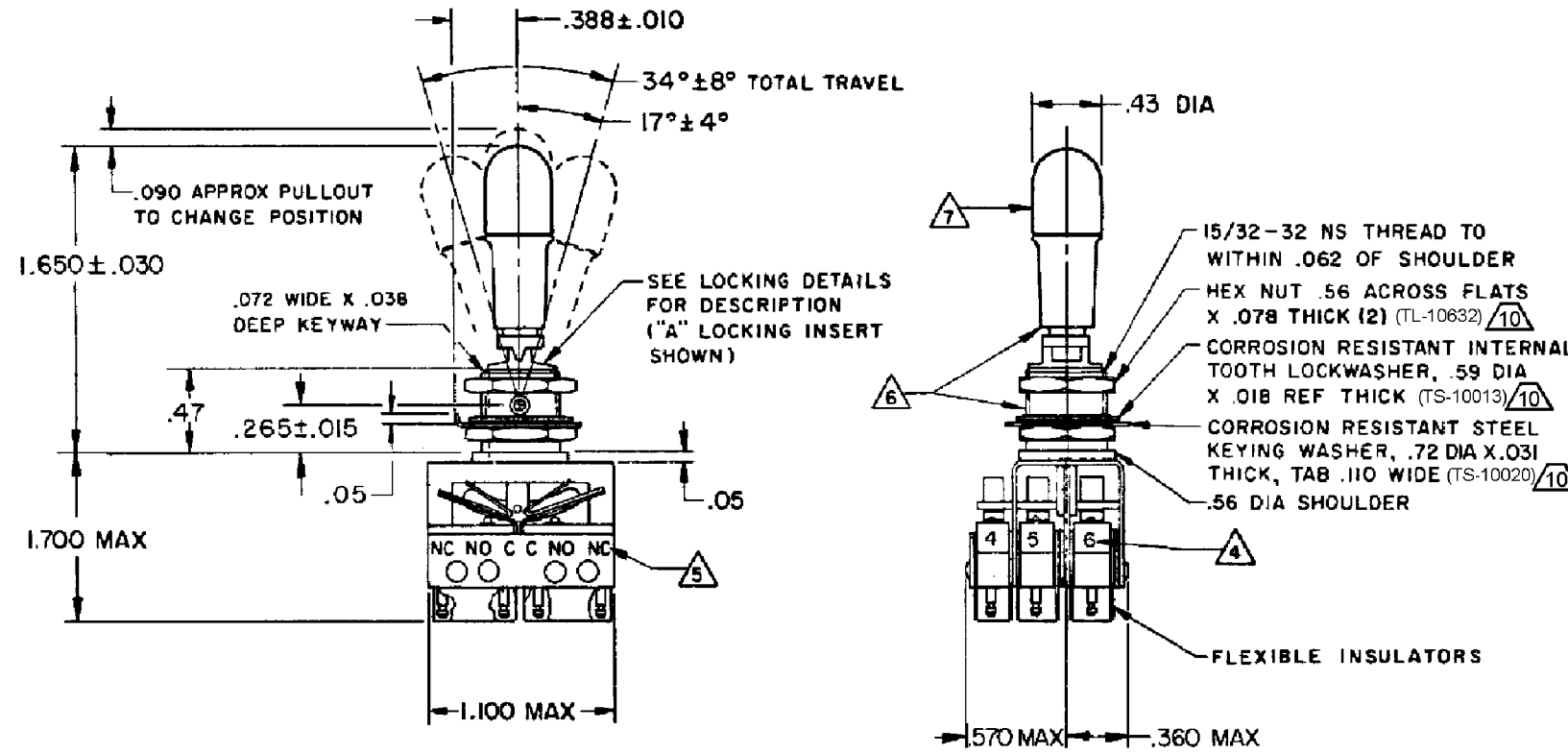


HONEYWELL
PART NUMBER
66AT22 SERIES CHART 2

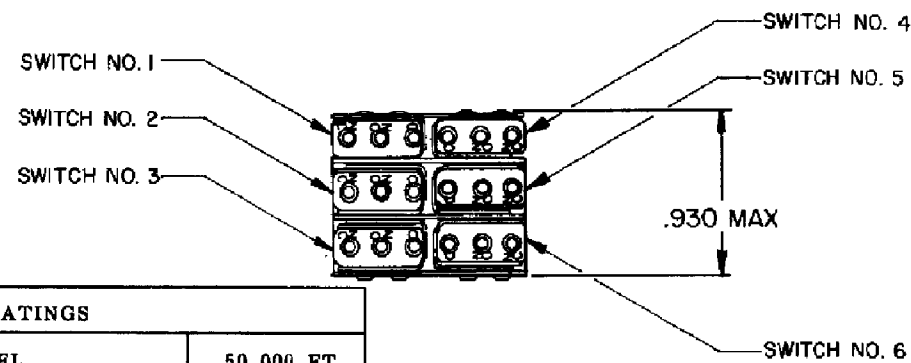
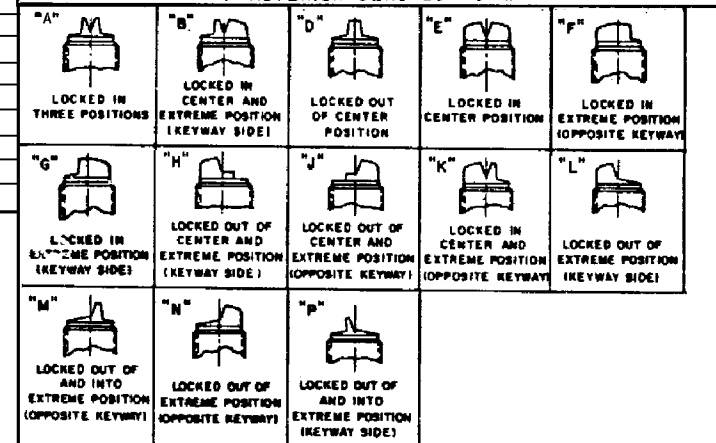
REV	DOCUMENT	CHANGED BY	CHECK
12	0012387	DVM 08APR05	AK



66AT22-1A	FAA-PMA
66AT22-1B	
66AT22-1C	
66AT22-1D	
66AT22-1E	
66AT22-1F	
66AT22-1G	
66AT22-1H	
66AT22-1J	
66AT22-1K	
66AT22-1L	
66AT22-1M	
66AT22-1N	
66AT22-1P	
66AT22-3D	FAA-PMA
66AT22-3F	
66AT22-3G	
66AT22-5E	
66AT22-5K	
66AT22-5N	
66AT22-7E	FAA-PMA
66AT22-7L	
66AT22-7N	
66AT22-514B	
66AT22-514E	
66AT22-514G	
66AT22-514L	
66AT22-514N	
66AT22-514P	

CATALOG LISTING	KEYWAY POSITION		CENTER POSITION		OPPOSITE KEYWAY POSITION		RECOMMENDED LOCKING COMBINATIONS
	C-NC	C-NO	C-NC	C-NC	C-NC	C-NO	
66AT22-1	1,2,3	4,5,6	NONE	ALL	4,5,6	1,2,3	A, B, C, D, E, F, G, H, J, K, L, M, N, P,
66AT22-3	1,2,3	4,5,6	NONE	NONE	4,5,6	1,2,3	D, F, G
66AT22-5	1,2,3	4,5,6*	NONE	ALL	4,5,6	1,2,3	E, K, N
66AT22-7	1,2,3	4,5,6*	NONE	ALL	4,5,6*	1,2,3*	E, L, N
66AT22-514	1,2,3	4,5,6	NONE	ALL	4,5,6*	1,2,3*	B, E, G, L, N, P

* ASTERISK DENOTES MOMENTARY POSITION



NOTE-

- UNIT INCLUDES 215X TYPE BASIC SWITCH (6) (MEETS REQUIREMENTS OF MIL-S-8805)
- SWITCHES DO NOT NECESSARILY OPERATE SIMULTANEOUSLY
- PLATED TERMINALS WILL ACCEPT "AMP INC" .058 DIA PIN RECEPTACLES
- SWITCH NUMBERS MARKED ON END OF BASIC SWITCHES
- TERMINAL DESIGNATION STAMPED ON BOTH SIDES OF UNIT
- DULL FINISH ON LEVER AND BUSHING
- FLAT WHITE RESILIENT POLYVINYL CHLORIDE (50 DUROMETER APPROX)
- SUFFIX LETTER MUST BE ADDED FOR DESIRED TYPE TOGGLE LOCKING (SEE CHART FOR RECOMMENDED LOCKING COMBINATIONS)
- FOR REPLACEMENT BUTTON SEE MICRO SWITCH CAT. LIST. 15PA90-6W
- HARDWARE FURNISHED ASSEMBLED WITH SWITCH OR IN PACKET 15PA313-AT PER MIL-PRF-8805
- REPLACEMENT MOUNTING HARDWARE PACKET 15PA313-AT
- SWITCH MEETS THE REQUIREMENTS OF MIL-PRF-8805/98 EXCEPT INITIAL CONTACT RESISTANCE IS 50 MILLIOHMS MAX AND FINAL CONTACT RESISTANCE AFTER MECHANICAL ENDURANCE IS 600 MILLIOHMS MAX.
- FOR MANUFACTURING DETAIL SEE THE CORRESPONDING ASSEMBLY DRAWING FOR EACH LISTING FOR FAA-PMA

ELECTRICAL RATINGS			
LOAD	SEA LEVEL		50,000 FT
	28 Vdc (AMPERES)	115 Vac, 60 Hz (AMPERES)	28 Vdc (AMPERES)
RESISTIVE	7	7	4
INDUCTIVE	4	7	2.5

CHARACTERISTICS
PULLOUT FORCE--3 LB MIN-5 LB MAX

ELECTRICAL DATA
CONTACT ARRANGEMENT S P D T (6)

DESIGN UNITS: INCH
TOLERANCES UNLESS NOTED:
NO PLACE X ±
ONE PLACE .X ± 0.030
TWO PLACE .XX ± 0.015
THREE PLACE .XXX ± 0.005
FOUR PLACE .XXXX ±
ANGLES ±
THIRD ANGLE PROJECTION

DRAWN	CSL	12MAR98
CHECK		
THIS DRAWING COVERS A PROPRIETARY ITEM AND IS THE PROPERTY OF HONEYWELL. THIS DRAWING IS NOT TO BE COPIED OR USED WITHOUT THE PERMISSION OF HONEYWELL.		
INTERPRET PER ASME Y14.5M-1994 OTHER HONEYWELL ENGINEERING STANDARDS MAY APPLY		
RASTER		

Honeywell			
TITLE ASSEMBLY - TOGGLE SWITCH			
SIZE	TYPE	DRAWING NAME	REV
B	I	66AT22 SERIES CHART 2	12
SCALE	-	WEIGHT: .09 LB EST	SHEET 1 OF 1