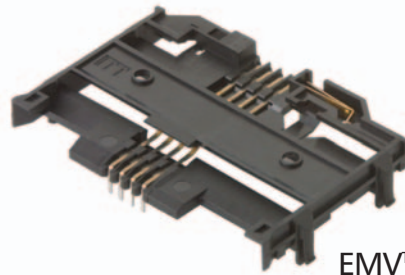


# CCM01 MK III



EMV™ compatible

CCM01 MK III connectors are intended for applications such as pay TV, home shopping and utility meters. Mainly driven by the Set Top Box market for payment and/or deciphering.

## Features

- Available in standard or reverse card reading version, with direct PCB soldering for reduced installation cost.
- Panel mount version comes with improved noise reduction FPC, to accommodate all front panel configurations.
- Double sided version allows the customer to insert the card chip up or down for easier handling.
- Self cleaning card detection switch (normally closed) is protected against assembly mishandling.
- Available with 8 through hole contacts specifically designed to reduce card wear.
- A chamfer opening to the card entry slot improves the card guidance into the connector.
- Variable distance from lower card side to PCB to level card slot with your front panel design
- Easy insertion into PCB provided by four half pegs and termination true positioning insulator.<sup>1</sup>
- Four snap in board locks to lower stress on soldered terminals and improve interconnect PCB retention.
- Thermoplastic UL 94 V-0 insulator suitable for wave soldering only
- Designed to be compatible with:  
NDS  
EMVCo

<sup>1</sup> Termination true positioning insulator not designed on low profile version 3,9 mm

EMV™ is a trademark owned by EMVCoLLC.

## Construction

Insulator	Thermoplastic UL94V-0 rated
Contacts	Copper alloy
Contact Finish	Gold over nickel
PC tail plating	Tin lead (2µ min.)

## Mechanical Data

Mechanical life	30,000 cycles min
Card insertion force	10 N max
Card extraction force	1 N min / 10 N max
Contact force	0.20 N min / 0.60 N max
Vibration	Frequency 10 to 500 Hz. Acceleration 50m/s <sup>2</sup> Duration 6 hours - amplitude 0,35 mm Max electrical discontinuity 1µs
Shock	Peak value 500 m/s <sup>2</sup> - Duration 11 ms 3 shocks in each direction of each axis Max electrical discontinuity 1 µs

## Contact Electrical Data

Insulation resistance	1,000 MΩ min
Resistance	100 mΩ max
Current rating	10 µA min / 1 A max
Dielectric strength	750 Vrms min

## Switch Electrical Data

Card detection switch	Normally closed
Contact resistance	100mΩ max
Dielectric strength	250 Vrms min
Current rating	1 mA min / 10 mA max
Maximum power	0.2 VA

## Environmental Data

Operating temperature	-20°C to +70°C
Soldering temperature	Wave: 260°C / 5 seconds
Damp heat	IEC 512 test number 11c (10 days)
Salt mist	IEC 512 test number 11f (96 hours)

## Ordering Code

Designation	Standard Version	Reverse Version
Distance from lower card entrance & PCB		
3,90 mm	CCM01-6101	CCM01-6201
6,75 mm		CCM01-6202
6,50 mm	CCM01-6105	
8,00 mm	CCM01-6103	
Panel Mount	CCM01-6301	CCM01-6302
Double Decker	CCM01-6402	CCM01-6403

## Packaging

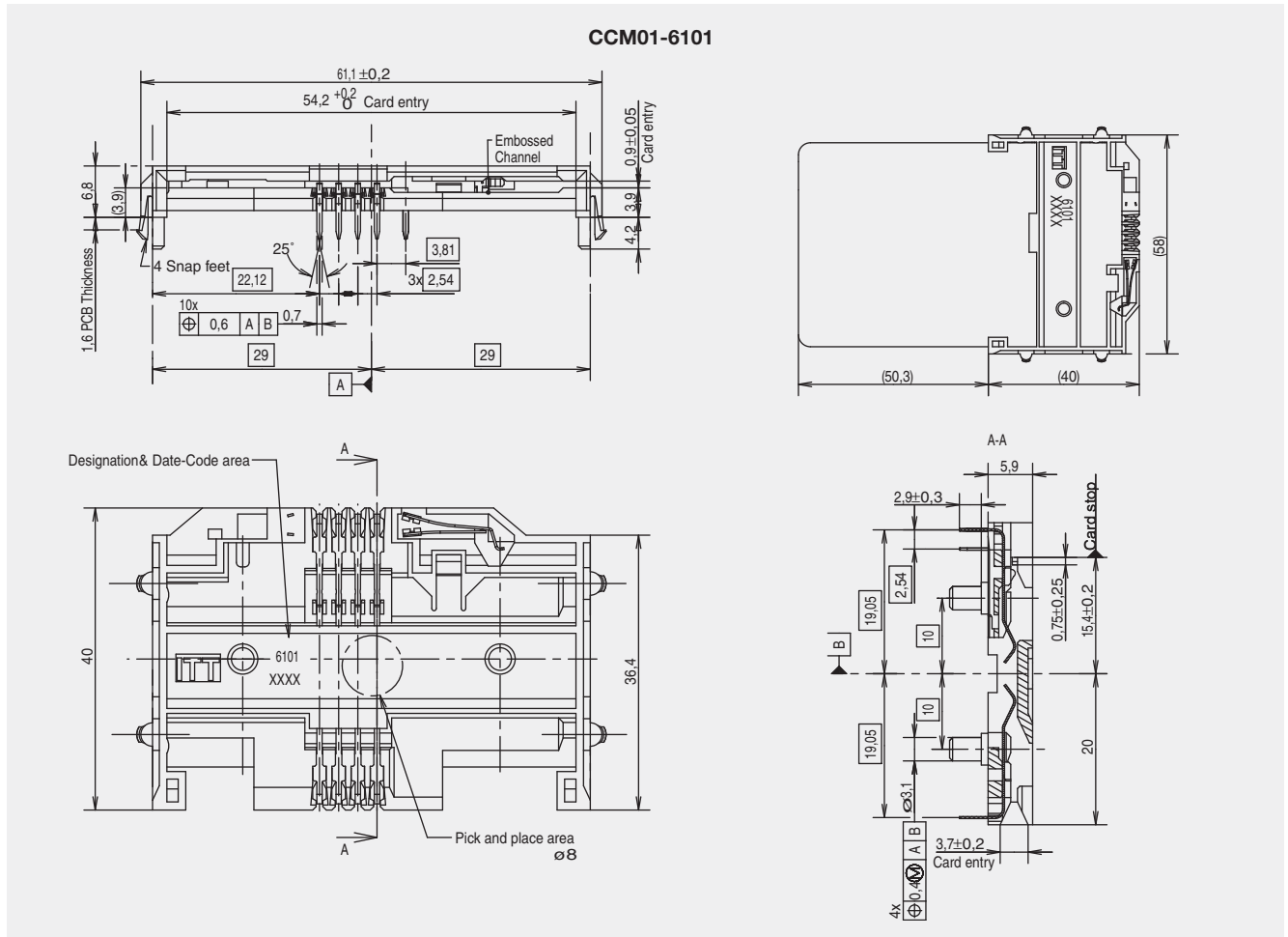
30 per tray, 10 trays per box.



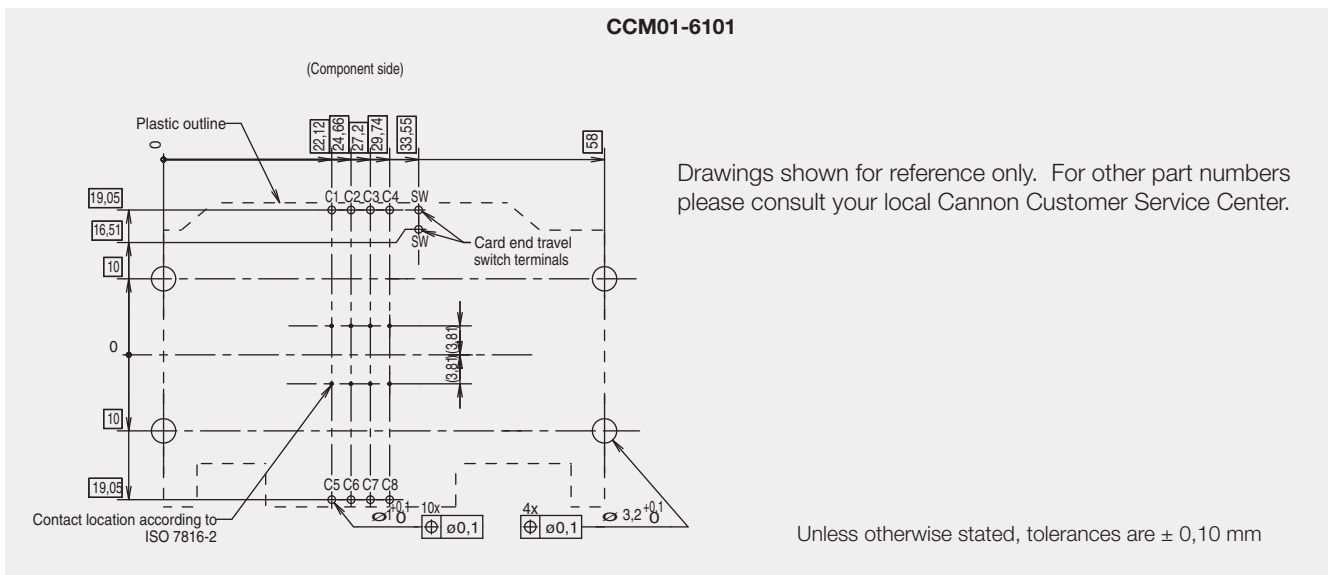
Dimensions are shown in mm  
Specifications and dimensions subject to change

www.ck-components.com

## Dimensional Drawings



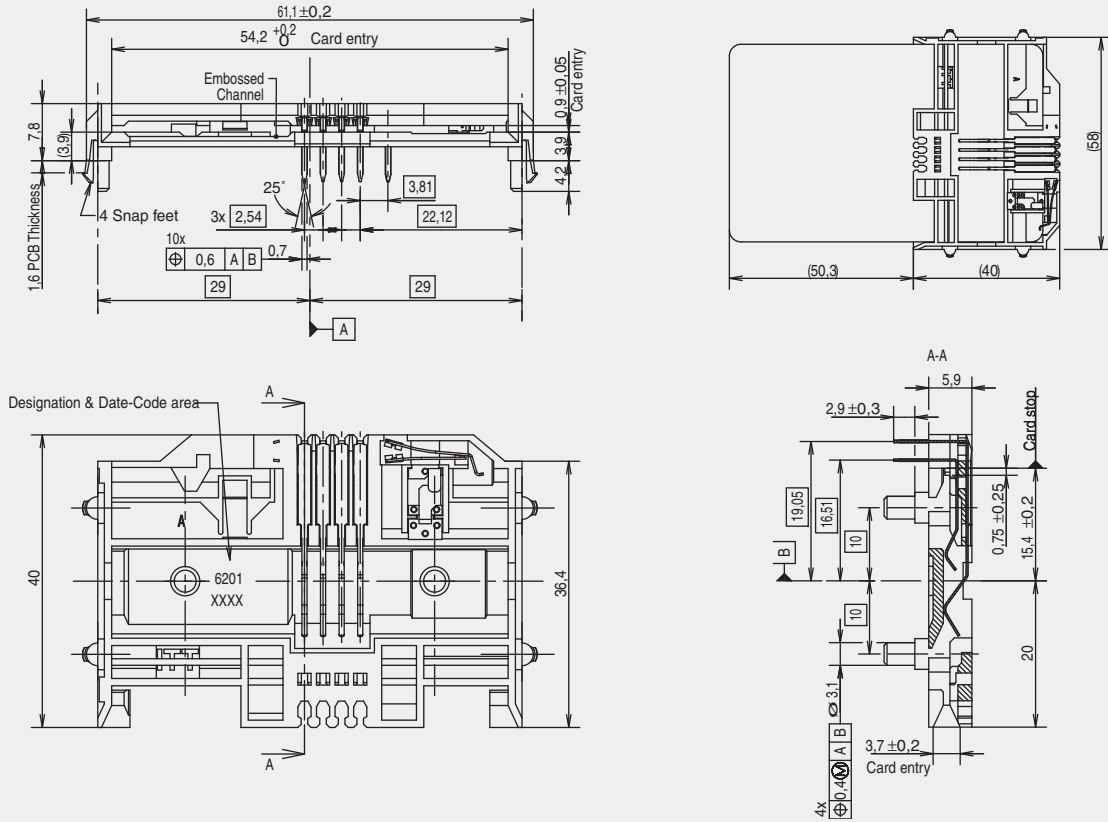
## PCB Layout



# CCM01 MK III

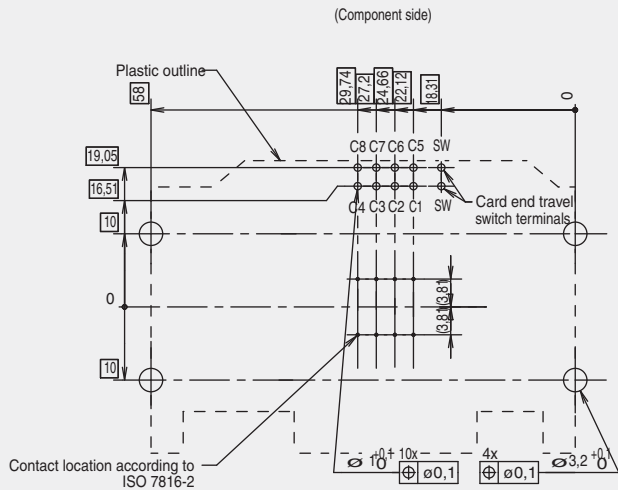
## Dimensional Drawings

CCM01-6201



## PCB Layout

CCM01-6201



Drawings shown for reference only. For other part numbers please consult your local Cannon Customer Service Center.

Unless otherwise stated, tolerances are  $\pm 0,10$  mm



Dimensions are shown in mm  
Specifications and dimensions subject to change

[www.ck-components.com](http://www.ck-components.com)