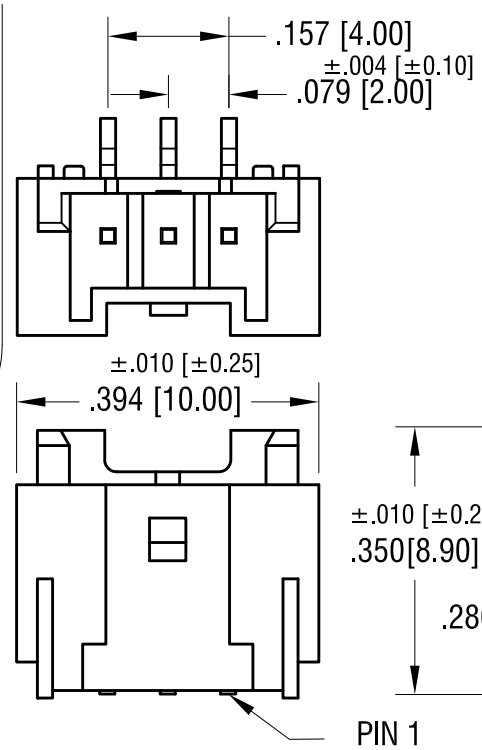
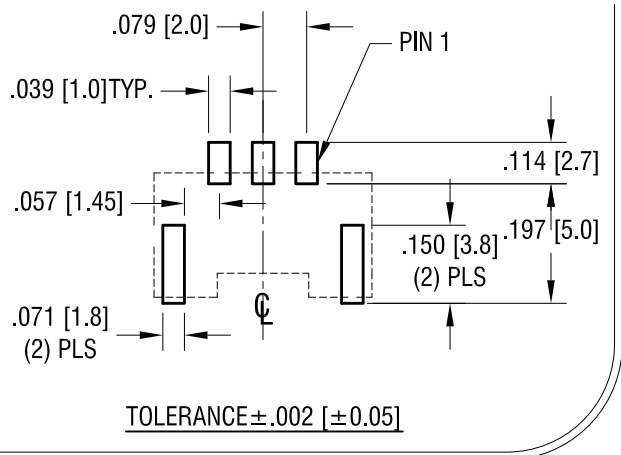
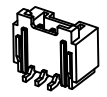


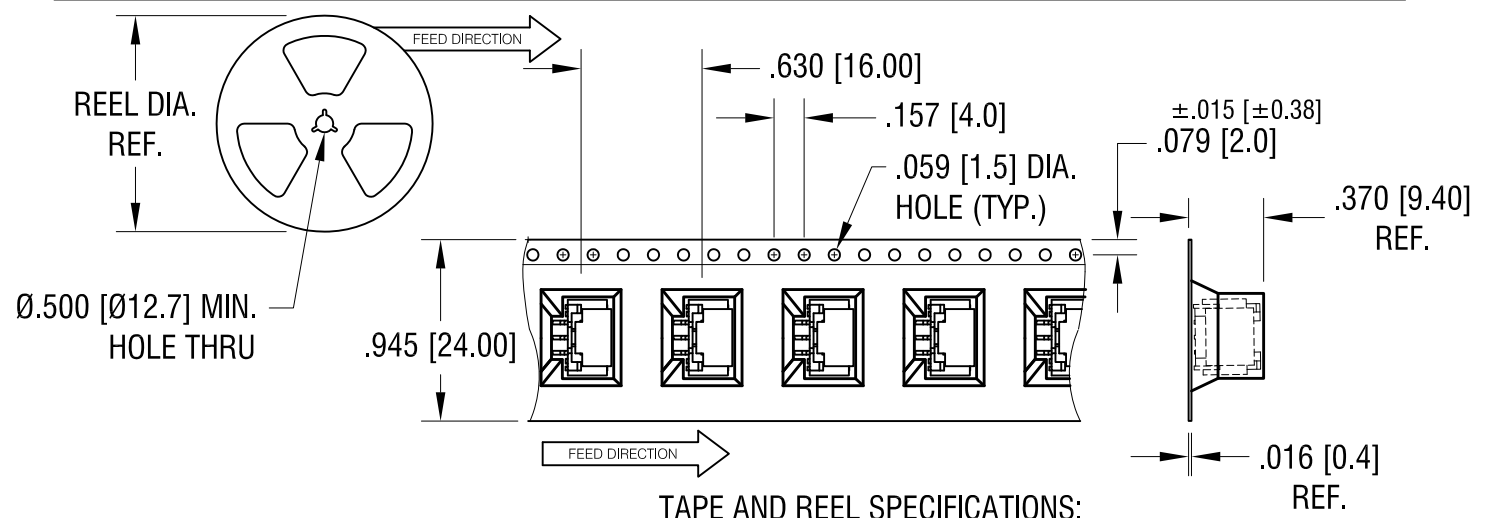
THIS DOCUMENT IS THE PROPERTY OF KEYSTONE ELECTRONICS CORP. AND SHALL NOT BE REPRODUCED, DISTRIBUTED OR USED AS A BASIS FOR MANUFACTURE WITHOUT PRIOR WRITTEN PERMISSION FROM KEYSTONE ELECTRONICS CORP.

ACTUAL SIZE



CONNECTOR SPECIFICATION
 1. HOUSING: MAT'L- NYLON 6T, UL94V-0
 2. POST: MAT'L- BRASS, TIN PLATE

TOLERANCE ±.008 [±0.20]



TAPE AND REEL SPECIFICATIONS:
 4. TAPE: MAT'L - ALL CONDUCTIVE POLYSTYRENE CARRIER ANSI/EIA-481 STANDARD
 5. REEL: 13.0 [330.0] DIA. 500 PIECES PER REEL
 6. PICK-UP TOP APPLIED TO EACH CONNECTOR FOR VACUUM PICK AND PLACE

6.25.21	REMOVE MTG LEGS, USED PICKUP TOP INSTEAD OF KAPTON TAPE. CHANGE AS PER ECN 21-058	E
9.8.20	WAS PICK-UP CAP USED CONTACT WAS BRASS HOUSING WAS PA6T CHANGE AS PER ECN20-076	D
10.09.19	CONTACT WAS COPPER ALLOY HOUSING WAS PA66 CHANGE AS PER ECN 19-078	C
8.29.19	REMOVE MTG LEGS, USED PICKUP TOP INSTEAD OF KAPTON TAPE. CHANGE AS PER ECN 19-075	B
8.08.19	UPDATE MTG DETAIL CHANGE AS PER ECN 19-065	A
DATE	DESCRIPTION	REV.

KEYSTONE ELECTRONICS CORP.		
www.keyelco.com • NEW HYDE PARK, NY 11040 • Tel (516) 328-7500		
PART NAME SM TOP ENTRY CONNECTOR (3 CIRCUITS)		
MATERIAL AS NOTED		
FINISH AS NOTED	DRN BY NT	DATE 3.07.16
	APP'D RH	SCALE 4X
TOLERANCES INCH [MM] DECIMAL ±.005 [±0.13] ANGULAR ± 1° UNLESS OTHERWISE SPECIFIED	CODE C	DWG NO. 974