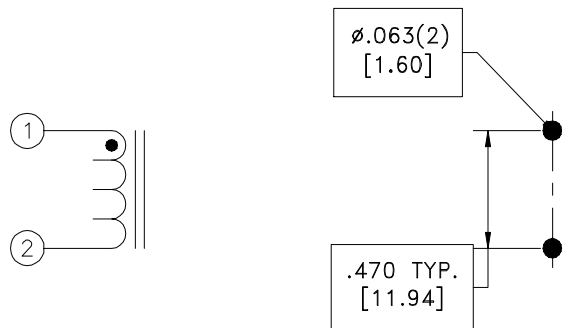
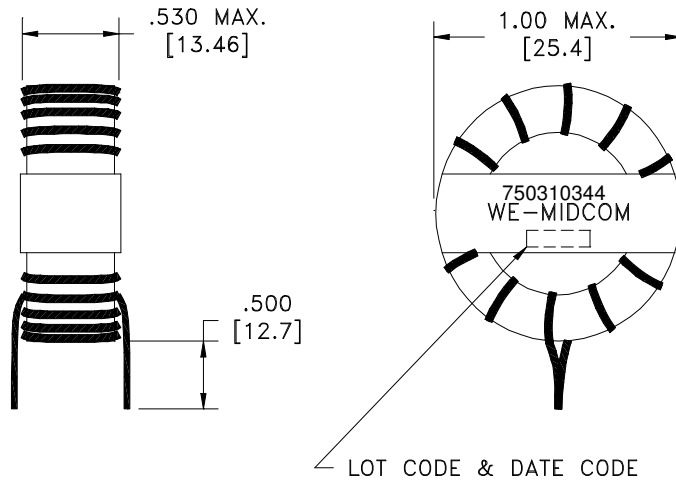


CUSTOMER TERMINAL	RoHS	LEAD(Pb)-FREE
Sn98%, Cu2%	Yes	Yes



ELECTRICAL SPECIFICATIONS @ 25°C unless otherwise noted:

D.C. RESISTANCE (@20°C): 1-2, .006 Ohms max.
INDUCTANCE: 10.00µH ±10%, 100kHz, 100mVAC, 0mADC, 1-2, Ls.

Midcom, Inc. Watertown, SD USA Toll Free: 800-643-2661 Fax: 605-886-4486	Unless otherwise specified, tolerances are as follows: Angles: ±1° Fractions: ±1/64 Decimals: ±.005 (.127mm)		Midcom, Inc.	
	Drawing Title Transformer		Drawing Number 750310344	Rev. 00
This drawing is dual dimensioned. Dimensions in brackets are in millimeters	Revisions: See Sheet 1		Scale ----	Sheet 2 of 5
Engineer:TST			11/12/2007	