



1000 PLX Series Keypads



Tough keypads for exposed public applications

- *Manufactured to survive hard use and abuse under extreme environmental conditions*
- *Rugged, reliable and responsive data entry*
- *Weather, water and dust resistant (IP65)*
- *All metal keytops*
- *4, 12 and 16 key formats*
- *Permanent, high contrast, engraved keytop graphics*
- *Raised "home pip" on the "5" key*
- *Simple 'row and column' circuit matrix, terminated by a male, gold-plated, square pin, 0.1" (2.54mm) pitch connector with locking ramp*
- *Can be fixed to a flat surface or under panel mounted for a flush, low profile installation*



www.storm-interface.com

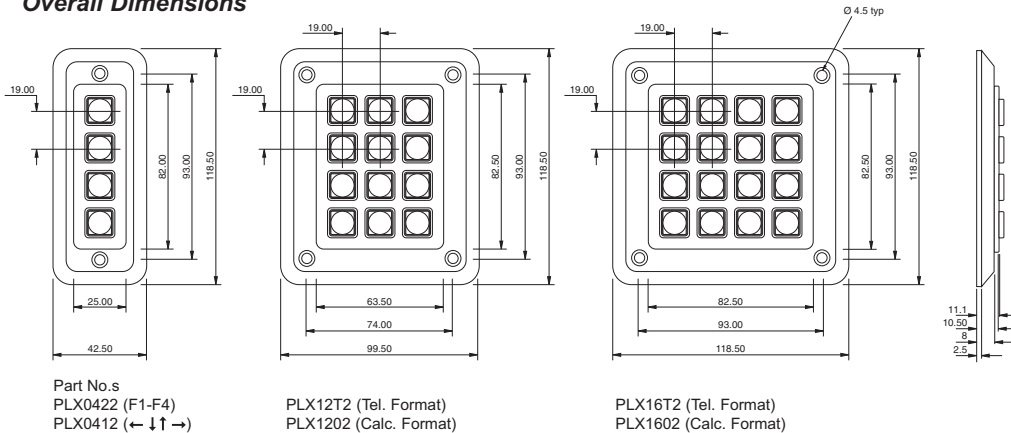
Storm Interface products include technology protected by international patents and design registration. All rights reserved.

storm

1000 PLX Series keypads

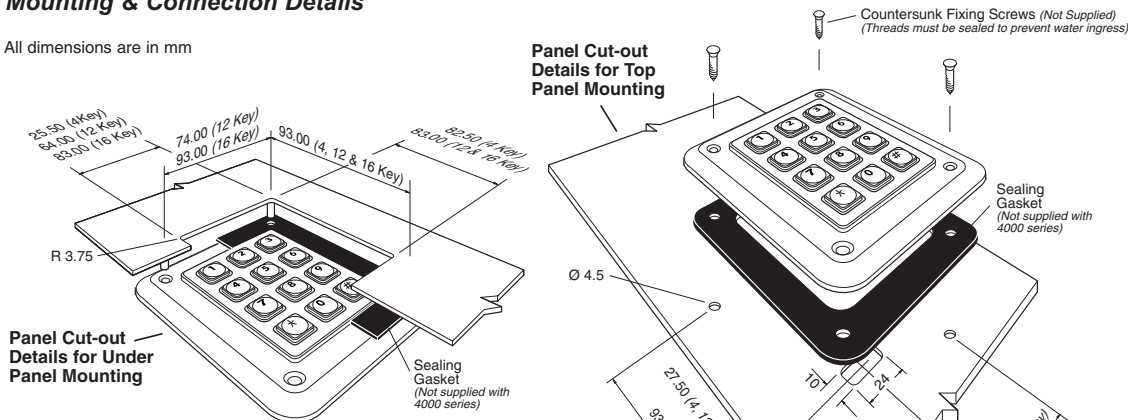
Ideal for use in applications where toughness and resistance to water and dust is required. PLX keypads are cased in a revolutionary super high-impact polymer, for resistance to abuse and attack. Chromed metal keytops are retained to provide keytop graphics with unsurpassable toughness and wear resistance.

Overall Dimensions



Mounting & Connection Details

All dimensions are in mm



Electrical

Contact Bounce	5ms (max)
Contact Resistance	100 ohms (max)
Insulation Resistance	50 Mohms (min)
Breakdown Voltage	500V AC (max 60 secs.)
Operating Voltage	24V DC (max)
Operating Current	50mA (max)

Mechanical

Operational Life	4 million cycles (min) per key
Keytop Travel	1.4mm nominal
Actuation Force	180gms nominal
Connector	0.1" pitch, gold plated square pin, male connector with locking ramp

Environmental

Water / Dust Sealed	IP65 (when mounted to suitable enclosure)
Operational Temperature	-40°C to +100°C (Dry)
Impact	20 Joules via 50mm Ø steel impactor

Material

Casing	Super High Impact Polymer (black)
Keytops	Chromed die-cast zinc
Keytop Legends	Engraved
Contact Circuit	Gold on Nickel plated FR4

Accessories

Item	Stock No.	Notes
PC Interface	4200-00[x] 4500-00[x]	RS-232 USB
Rear Casing	RC12020[x]	Supplied complete with fixing hardware, sealing gaskets and fixing instructions.
Blank Keytops set of four	1K00000[x]	Supplied without keytop graphics. Suitable for engraving.
Privacy Shield Provides PIN / Entry Code security	1KFS020[x]	Supplied complete with fixing hardware, sealing gaskets and fixing instructions. 12 way only.

Whilst every effort is made to ensure details are correct at time of print, specifications are subject to change without notice.

Designed & produced by
 NIK Design
 www.nikdesign.co.uk

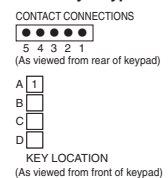
PLX-LIT-01 Rev 4
 Nov 2008



FM 39602

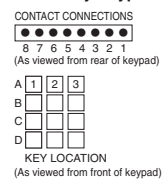


Connection Details for 4 Key Keypad



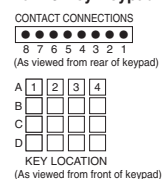
CONTACT MATRIX	
CONN. PIN	ROW/COLUMN
1	A
2	D
3	C
4	B
5	A

Connection Details for 12 Key Keypad



CONTACT MATRIX	
CONN. PIN	ROW/COLUMN
1	A
2	B
3	1
4	2
5	3
6	-
7	D
8	C

Connection Details for 16 Key Keypad



CONTACT MATRIX	
CONN. PIN	ROW/COLUMN
1	A
2	B
3	1
4	2
5	3
6	4
7	D
8	C



Storm is a trademark of Keymat Technology Ltd
 Storm Interface is a trading name of Keymat Technology Ltd
 Storm Interface products include technology protected by international patents and design registration. All rights reserved.