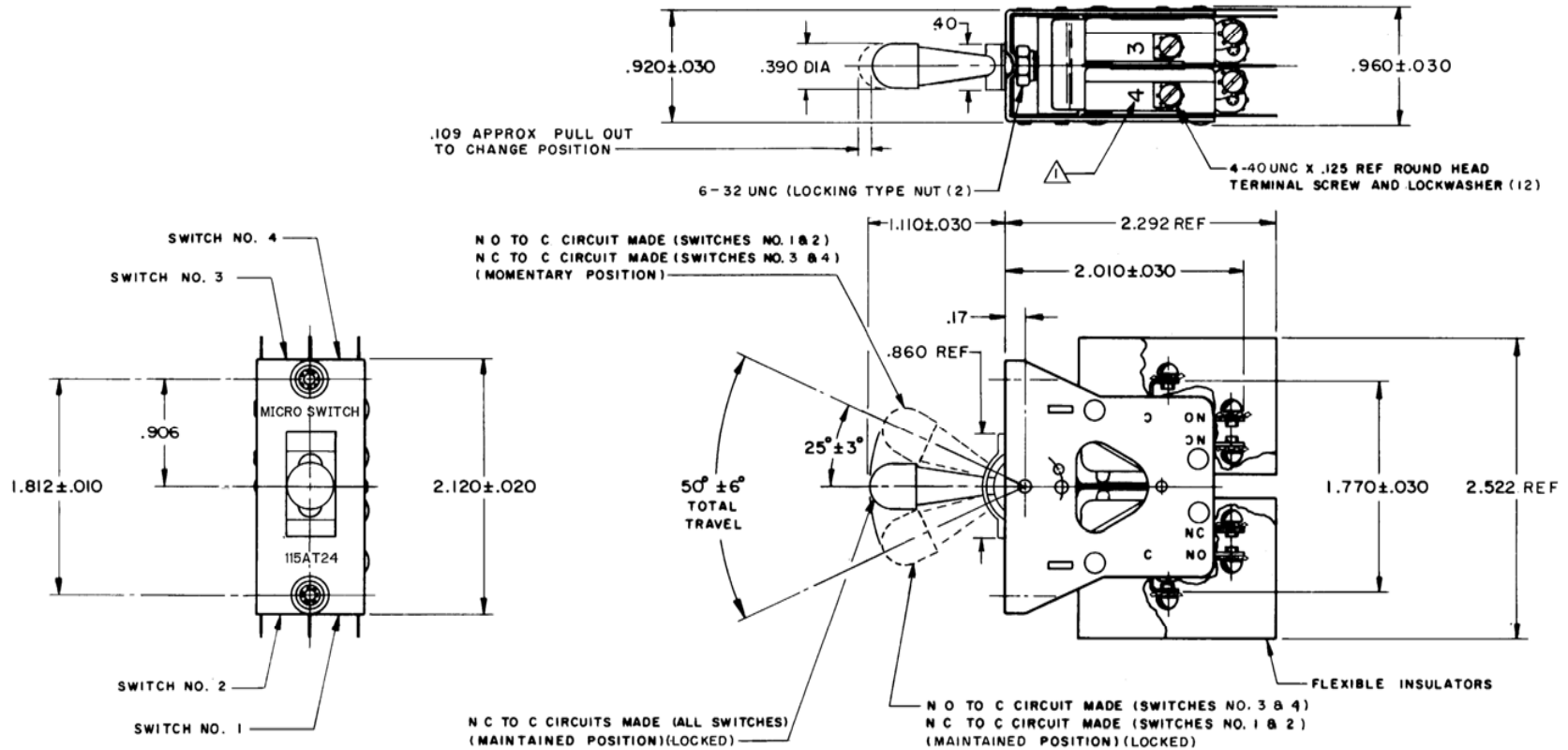


**ASSEMBLY-
 TOGGL SWITCH**

CATALOG LISTING
115 AT 24

DRAWN: MBF 25 SEP 63
 CHECKED: DAW 25 SEPT 63
 DESIGNED: BRT 25 SEPT 63
 APPROVED: 35113
 M 86
 0089
 P 63
 1269
 ONE
 6
 PAGE 1 OF 1
 REPLACES: SR 11269
 RELEASE NO.



NOTES
 △ BASIC SWITCH NO. MARKED ON EACH BASIC SWITCH
 2 - UNIT INCLUDES CAT. LIST. V3-1 (4) BASIC SWITCHES
 3 - SWITCHES DO NOT NECESSARILY OPERATE SIMULTANEOUSLY

THIS DRAWING COVERS A PROPRIETARY ITEM AND IS THE PROPERTY OF MICRO SWITCH, A DIVISION OF MINNEAPOLIS-HONEYWELL REGULATOR CO. THIS DRAWING IS NOT TO BE COPIED OR USED WITHOUT THE APPROVAL OF MICRO SWITCH.

CHARACTERISTICS	ELECTRICAL DATA	SCALE FULL
	CONTACT ARRANGEMENT S P D T (4)	DO NOT SCALE PRINT
	15 A-1/3 HP-125 OR 250 VAC 1/2 A-125 VDC; 1/4 A-250 VDC	UNLESS OTHERWISE SPECIFIED DIMENSIONS ARE IN INCHES
		TOLERANCES ARE: ONE PLACE (.0) ±.030 TWO PLACE (.00) ±.018 THREE PLACE (.000) ±.008 ANGLES ±
		WEIGHT