

To our customers,

Old Company Name in Catalogs and Other Documents

On April 1st, 2010, NEC Electronics Corporation merged with Renesas Technology Corporation, and Renesas Electronics Corporation took over all the business of both companies. Therefore, although the old company name remains in this document, it is a valid Renesas Electronics document. We appreciate your understanding.

Renesas Electronics website: <http://www.renesas.com>

April 1st, 2010
Renesas Electronics Corporation

Issued by: Renesas Electronics Corporation (<http://www.renesas.com>)

Send any inquiries to <http://www.renesas.com/inquiry>.

Notice

1. All information included in this document is current as of the date this document is issued. Such information, however, is subject to change without any prior notice. Before purchasing or using any Renesas Electronics products listed herein, please confirm the latest product information with a Renesas Electronics sales office. Also, please pay regular and careful attention to additional and different information to be disclosed by Renesas Electronics such as that disclosed through our website.
2. Renesas Electronics does not assume any liability for infringement of patents, copyrights, or other intellectual property rights of third parties by or arising from the use of Renesas Electronics products or technical information described in this document. No license, express, implied or otherwise, is granted hereby under any patents, copyrights or other intellectual property rights of Renesas Electronics or others.
3. You should not alter, modify, copy, or otherwise misappropriate any Renesas Electronics product, whether in whole or in part.
4. Descriptions of circuits, software and other related information in this document are provided only to illustrate the operation of semiconductor products and application examples. You are fully responsible for the incorporation of these circuits, software, and information in the design of your equipment. Renesas Electronics assumes no responsibility for any losses incurred by you or third parties arising from the use of these circuits, software, or information.
5. When exporting the products or technology described in this document, you should comply with the applicable export control laws and regulations and follow the procedures required by such laws and regulations. You should not use Renesas Electronics products or the technology described in this document for any purpose relating to military applications or use by the military, including but not limited to the development of weapons of mass destruction. Renesas Electronics products and technology may not be used for or incorporated into any products or systems whose manufacture, use, or sale is prohibited under any applicable domestic or foreign laws or regulations.
6. Renesas Electronics has used reasonable care in preparing the information included in this document, but Renesas Electronics does not warrant that such information is error free. Renesas Electronics assumes no liability whatsoever for any damages incurred by you resulting from errors in or omissions from the information included herein.
7. Renesas Electronics products are classified according to the following three quality grades: “Standard”, “High Quality”, and “Specific”. The recommended applications for each Renesas Electronics product depends on the product’s quality grade, as indicated below. You must check the quality grade of each Renesas Electronics product before using it in a particular application. You may not use any Renesas Electronics product for any application categorized as “Specific” without the prior written consent of Renesas Electronics. Further, you may not use any Renesas Electronics product for any application for which it is not intended without the prior written consent of Renesas Electronics. Renesas Electronics shall not be in any way liable for any damages or losses incurred by you or third parties arising from the use of any Renesas Electronics product for an application categorized as “Specific” or for which the product is not intended where you have failed to obtain the prior written consent of Renesas Electronics. The quality grade of each Renesas Electronics product is “Standard” unless otherwise expressly specified in a Renesas Electronics data sheets or data books, etc.
 - “Standard”: Computers; office equipment; communications equipment; test and measurement equipment; audio and visual equipment; home electronic appliances; machine tools; personal electronic equipment; and industrial robots.
 - “High Quality”: Transportation equipment (automobiles, trains, ships, etc.); traffic control systems; anti-disaster systems; anti-crime systems; safety equipment; and medical equipment not specifically designed for life support.
 - “Specific”: Aircraft; aerospace equipment; submersible repeaters; nuclear reactor control systems; medical equipment or systems for life support (e.g. artificial life support devices or systems), surgical implantations, or healthcare intervention (e.g. excision, etc.), and any other applications or purposes that pose a direct threat to human life.
8. You should use the Renesas Electronics products described in this document within the range specified by Renesas Electronics, especially with respect to the maximum rating, operating supply voltage range, movement power voltage range, heat radiation characteristics, installation and other product characteristics. Renesas Electronics shall have no liability for malfunctions or damages arising out of the use of Renesas Electronics products beyond such specified ranges.
9. Although Renesas Electronics endeavors to improve the quality and reliability of its products, semiconductor products have specific characteristics such as the occurrence of failure at a certain rate and malfunctions under certain use conditions. Further, Renesas Electronics products are not subject to radiation resistance design. Please be sure to implement safety measures to guard them against the possibility of physical injury, and injury or damage caused by fire in the event of the failure of a Renesas Electronics product, such as safety design for hardware and software including but not limited to redundancy, fire control and malfunction prevention, appropriate treatment for aging degradation or any other appropriate measures. Because the evaluation of microcomputer software alone is very difficult, please evaluate the safety of the final products or system manufactured by you.
10. Please contact a Renesas Electronics sales office for details as to environmental matters such as the environmental compatibility of each Renesas Electronics product. Please use Renesas Electronics products in compliance with all applicable laws and regulations that regulate the inclusion or use of controlled substances, including without limitation, the EU RoHS Directive. Renesas Electronics assumes no liability for damages or losses occurring as a result of your noncompliance with applicable laws and regulations.
11. This document may not be reproduced or duplicated, in any form, in whole or in part, without prior written consent of Renesas Electronics.
12. Please contact a Renesas Electronics sales office if you have any questions regarding the information contained in this document or Renesas Electronics products, or if you have any other inquiries.

(Note 1) “Renesas Electronics” as used in this document means Renesas Electronics Corporation and also includes its majority-owned subsidiaries.

(Note 2) “Renesas Electronics product(s)” means any product developed or manufactured by or for Renesas Electronics.



User's Manual

QB-78K0RKX3C

In-Circuit Emulator

Target Devices

78K0R/KF3-C

78K0R/KF3-L

78K0R/KG3-C

78K0R/KG3-L

Document No. U19324EJ2V0UM00 (2nd edition)
Date Published March 2009 NS

© NEC Electronics Corporation 2008
Printed in Japan

[MEMO]

IECUBE is a registered trademark of NEC Electronics Corporation in Japan and Germany.

PC/AT is a trademark of International Business Machines Corporation.

- **The information in this document is current as of March, 2009. The information is subject to change without notice. For actual design-in, refer to the latest publications of NEC Electronics data sheets or data books, etc., for the most up-to-date specifications of NEC Electronics products. Not all products and/or types are available in every country. Please check with an NEC Electronics sales representative for availability and additional information.**

- No part of this document may be copied or reproduced in any form or by any means without the prior written consent of NEC Electronics. NEC Electronics assumes no responsibility for any errors that may appear in this document.

- NEC Electronics does not assume any liability for infringement of patents, copyrights or other intellectual property rights of third parties by or arising from the use of NEC Electronics products listed in this document or any other liability arising from the use of such products. No license, express, implied or otherwise, is granted under any patents, copyrights or other intellectual property rights of NEC Electronics or others.

- Descriptions of circuits, software and other related information in this document are provided for illustrative purposes in semiconductor product operation and application examples. The incorporation of these circuits, software and information in the design of a customer's equipment shall be done under the full responsibility of the customer. NEC Electronics assumes no responsibility for any losses incurred by customers or third parties arising from the use of these circuits, software and information.

- While NEC Electronics endeavors to enhance the quality, reliability and safety of NEC Electronics products, customers agree and acknowledge that the possibility of defects thereof cannot be eliminated entirely. To minimize risks of damage to property or injury (including death) to persons arising from defects in NEC Electronics products, customers must incorporate sufficient safety measures in their design, such as redundancy, fire-containment and anti-failure features.

- NEC Electronics products are classified into the following three quality grades: "Standard", "Special" and "Specific".

The "Specific" quality grade applies only to NEC Electronics products developed based on a customer-designated "quality assurance program" for a specific application. The recommended applications of an NEC Electronics product depend on its quality grade, as indicated below. Customers must check the quality grade of each NEC Electronics product before using it in a particular application.

"Standard": Computers, office equipment, communications equipment, test and measurement equipment, audio and visual equipment, home electronic appliances, machine tools, personal electronic equipment and industrial robots.

"Special": Transportation equipment (automobiles, trains, ships, etc.), traffic control systems, anti-disaster systems, anti-crime systems, safety equipment and medical equipment (not specifically designed for life support).

"Specific": Aircraft, aerospace equipment, submersible repeaters, nuclear reactor control systems, life support systems and medical equipment for life support, etc.

The quality grade of NEC Electronics products is "Standard" unless otherwise expressly specified in NEC Electronics data sheets or data books, etc. If customers wish to use NEC Electronics products in applications not intended by NEC Electronics, they must contact an NEC Electronics sales representative in advance to determine NEC Electronics' willingness to support a given application.

(Note)

(1) "NEC Electronics" as used in this statement means NEC Electronics Corporation and also includes its majority-owned subsidiaries.

(2) "NEC Electronics products" means any product developed or manufactured by or for NEC Electronics (as defined above).

[MEMO]

General Precautions for Handling This Product

1. Circumstances not covered by product guarantee

- If the product was disassembled, altered, or repaired by the customer
- If it was dropped, broken, or given another strong shock
- Use at overvoltage, use outside guaranteed temperature range, storing outside guaranteed temperature range
- If power was turned on while connection to the AC adapter, USB interface cable, or target system was in an unsatisfactory state
- If the cable of the AC adapter, the USB interface cable, the emulation probe, or the like was bent or pulled excessively
- If an AC adapter other than the supplied product was used
- If the product got wet
- If this product is connected to the target system when there is a potential difference between the GND of this product and GND of the target system.
- If the connectors or cables are plugged/unplugged while this product is in the power-on state.
- If excessive load is applied to the connectors or sockets (As for handling, please see **2.5 Mounting and Connecting Connectors**).
- If a metal part of the power switch, cooling fan, or another such part comes in contact with an electrostatic charge.
- If the product is used or stored in an environment where an electrostatic or electrical noise is likely to occur.

2. Safety precautions

- If used for a long time, the product may become hot (50°C to 60°C). Be careful of low temperature burns and other dangers due to the product becoming hot.
- Be careful of electrical shock. There is a danger of electrical shock if the product is used as described above in **1. Circumstances not covered by product guarantee**.
- The AC adapter supplied with the product is exclusively for this product, so do not use it with other products.

INTRODUCTION

Readers This manual is intended for users who wish to perform debugging using the QB-78K0RKX3C. The readers of this manual are assumed to be familiar with the device functions and usage, and to have knowledge of debuggers.

Purpose This manual is intended to give users an understanding of the basic specifications and correct usage of the QB-78K0RKX3C.

Organization This manual is divided into the following sections.

- General
- Setup procedure
- Settings at product shipment
- Cautions

How to Read This Manual It is assumed that the readers of this manual have general knowledge in the fields of electrical engineering, logic circuits, and microcontrollers.

This manual describes the basic setup procedures and how to set switches.

To understand the overall functions and usages of the QB-78K0RKX3C

→ Read this manual in the order of the **CONTENTS**. The mark <R> shows major revised points. The revised points can be easily searched by copying an "<R>" in the PDF file and specifying it in the "Find what:" field.

To know the manipulations, command functions, and other software-related settings of the QB-78K0RKX3C

→ See the user's manual of the debugger (supplied with the QB-78K0RKX3C) to be used.

Conventions	Note:	Footnote for item marked with Note in the text
	Caution:	Information requiring particular attention
	Remark:	Supplementary information
	Numeric representation:	Binary ... xxxx or xxxxB Decimal ... xxxx Hexadecimal ... xxxxH
	Prefix indicating power of 2 (address space, memory capacity):	K (kilo): $2^{10} = 1,024$ M (mega): $2^{20} = 1,024^2$

Terminology

The meanings of the terms used in this manual are described in the table below.

Term	Meaning
Target device	This is the device to be emulated.
Target system	This is the system to be debugged. This includes the target program and the hardware provided by the user.
78K0R/Kx3-C	Generic name indicating 78K0R/KF3-C and 78K0R/KG3-C.
78K0R/Kx3-L (80 pins over)	Generic name indicating 78K0R/KF3-L and 78K0R/KG3-L.
IECUBE™	Generic name for NEC Electronics' high-performance/compact in-circuit emulator.

<R>

Related Documents

Please use the following documents in conjunction with this manual.

The related documents listed below may include preliminary versions. However, preliminary versions are not marked as such.

Documents Related to Development Tools (User's Manuals)

Document Name		Document Number
QB-78K0RKX3C In-Circuit Emulator		This manual
RA78K0R Ver. 1.20 Assembler Package	Operation	U18547E
	Language	U18546E
CC78K0R Ver. 2.00 C Compiler	Operation	U18549E
	Language	U18548E
ID78K0R-QB Ver. 3.20 Integrated Debugger	Operation	U17839E
PM+ Ver. 6.30 Project Manager		U18416E

Caution The related documents listed above are subject to change without notice. Be sure to use the latest version of each document for designing, etc.

CONTENTS

CHAPTER 1 GENERAL	9
1.1 Hardware Specifications	10
1.2 System Specifications.....	11
1.3 System Configuration	12
1.4 System Configuration for Each Target Device.....	14
1.5 Package Contents	15
1.6 AC Adapter for IECUBE.....	16
CHAPTER 2 SETUP PROCEDURE	17
2.1 Names and Functions of Hardware.....	18
2.2 Removal of Acrylic Board	20
2.3 Clock Settings.....	21
2.4 Software Settings	24
2.5 Mounting and Connecting Connectors	25
2.5.1 Mounting TC to target system	25
2.5.2 Mounting YQ to TC	26
2.5.3 Plugging EA into YQ	27
2.5.4 Precautions for handling TC, YQ, SA, and CA	27
2.5.5 Precautions for mounting IC using TC and MA	28
2.6 Connecting QB-78K0RKX3C to Target System.....	29
2.7 Notes on Power Supply and GND Pin Connection.....	32
2.8 Connecting USB Interface Cable and AC Adapter.....	32
2.9 Switching Power On and Off	32
CHAPTER 3 SETTINGS AT PRODUCT SHIPMENT	33
CHAPTER 4 CAUTIONS	34
4.1 Cautions Regarding Differences Between Target Device and Emulator	34
4.1.1 Operation after target system power application	34
4.1.2 Oscillator	34
4.1.3 Pin characteristics	34
4.1.4 On-chip debug function	34
4.1.5 Current consumption	34
4.2 Target System Voltage During a Break.....	35
4.3 P62, P63, P121, and P122 Pins	35
4.4 Absolute Maximum Rating of P62 Pin	35
4.5 FLMD0 Pin.....	35
4.6 Power-on-clear (POC) Voltage Value	36
4.7 TTL Input Buffer Characteristics.....	36
4.8 A/D Converter Scan Mode.....	36
APPENDIX REVISION HISTORY	37

CHAPTER 1 GENERAL

<R>

The QB-78K0RKX3C is an in-circuit emulator for emulating the 78K0R/Kx3-C and 78K0R/Kx3-L (80 pins over).

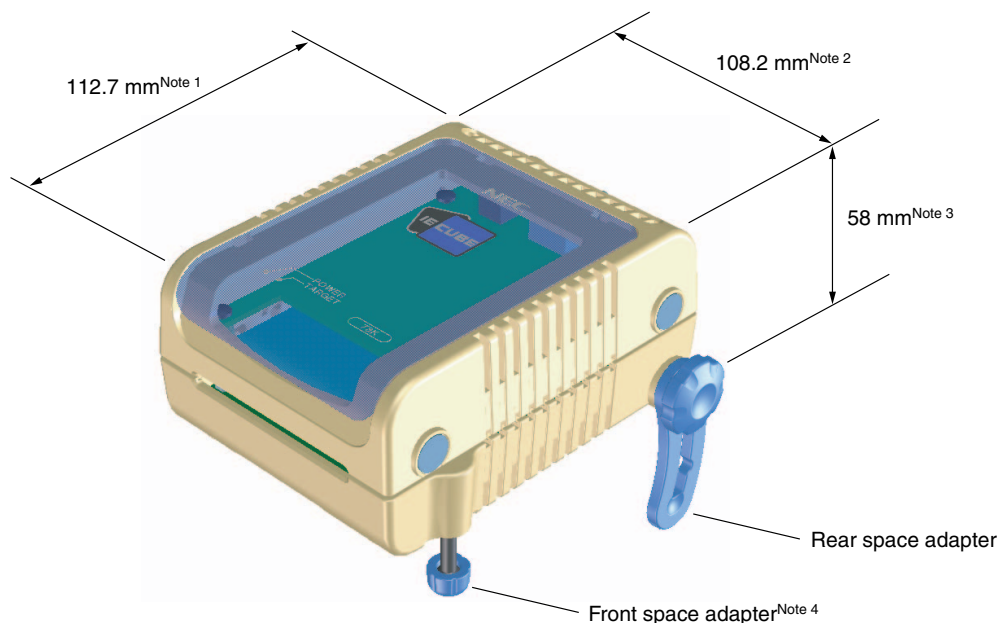
Hardware and software can be debugged efficiently in the development of systems in which the 78K0R/Kx3-C and 78K0R/Kx3-L (80 pins over) is used. This manual describes basic setup procedures, hardware specifications, system specifications, and how to set switches.

1.1 Hardware Specifications

Table 1-1. QB-78K0RKX3C Hardware Specifications

Parameter		Specification	
		78K0R/Kx3-C	78K0R/Kx3-L (80 pins over)
Target device		78K0R/KF3-C, 78K0R/KG3-C	78K0R/KF3-L, 78K0R/KG3-L
Operating voltage		2.7 to 5.5 V	1.8 to 5.5 V
Operating frequency ^{Note}	High-speed system clock	2.7 V ≤ V _{DD} ≤ 5.5 V: 2 to 20 MHz	2.7 V ≤ V _{DD} ≤ 5.5 V: 2 to 20 MHz 1.8 V ≤ V _{DD} < 2.7 V: 2 to 5 MHz
	Internal high-speed oscillation clock	2.7 V ≤ V _{DD} ≤ 5.5 V: 8 MHz/20 MHz	2.7 V ≤ V _{DD} ≤ 5.5 V: 8 MHz/20 MHz 1.8 V ≤ V _{DD} ≤ 5.5 V: 1 MHz
	Subsystem clock	2.7 V ≤ V _{DD} ≤ 5.5 V: 32.768 kHz	1.8 V ≤ V _{DD} ≤ 5.5 V: 32.768 kHz
Operating temperature range		0 to 40°C (No condensation)	
Storage temperature range		-15 to 60°C (No condensation)	
External dimensions		See figure below	
Power consumption	AC adapter for QB-78K0RKX3C	Output: DC15 V, 1 A Input: AC100 to 240 V	
	Target system power supply	Voltage: 2.7 to 5.5 V Current: approx. 3.3 mA MAX.	Voltage: 1.8 to 5.5 V Current: approx. 3.3 mA MAX.
Weight		Approx. 480 g	
Host interface		USB interface (1.1, 2.0)	

Note Errors are within ±0.5%. However, this does not apply to errors of the oscillator or clock system on the target board.



- Notes**
1. Does not include projection of power switch
 2. Includes projection of screw that fixes rear space adapter
 3. Rear space adapter can adjust the height from 30 mm (longest) to 0 mm (shortest)
 4. Front space adapter can adjust the height from 20 mm (longest) to 5 mm (shortest)

1.2 System Specifications

This section shows the QB-78K0RKX3C system specifications.

Table 1-2. QB-78K0RKX3C System Specifications

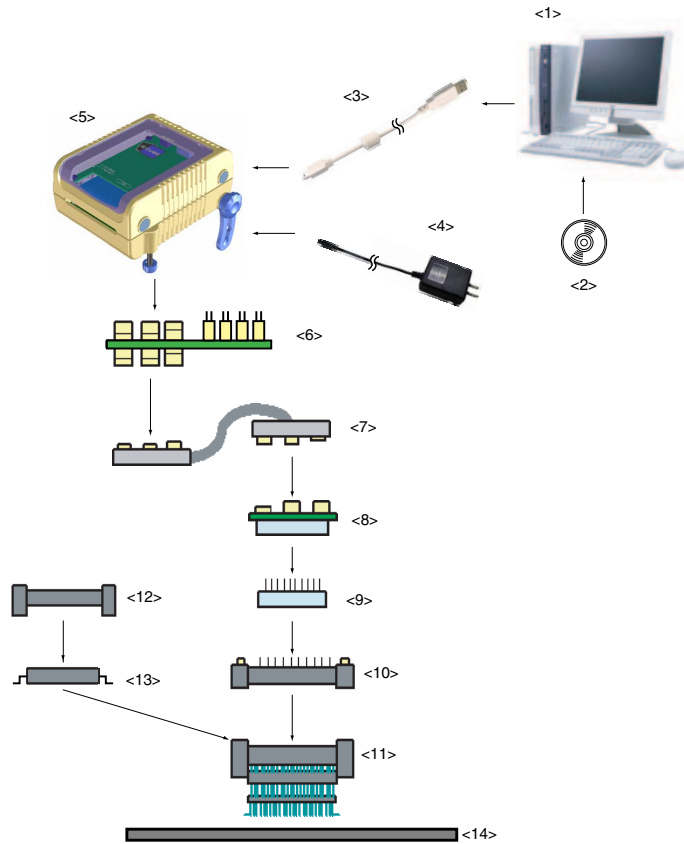
Parameter		Specification
Emulation memory capacity	Internal ROM	512 KB (MAX.)
	Internal RAM	61.75 KB (MAX.)
Program execution functions	Real-time execution function	Go, Start from Here, Come Here, Restart, Return Out, Ignore break points and Go
	Non-real-time execution function	Step In, Next Over, Slowmotion, Go & Go
Memory manipulation		Available (initialize, copy, compare)
Register manipulation		Available (general-purpose registers, control registers, SFRs)
Disassemble function		Available
Local variable view		Local variables
Watch data view		Local variables, global variables, or else
Stack trace view		Available
Break functions	Event break	Execution: 8 points Access: 8 points
	Software break	2000 points
	Pre-execution break	4 to 8 points ^{Note}
	Fail-safe break	Non-map, write protect, SFR illegal access, stack overflow, or else
	Other	Forcible break, trace full break, trace delay break, timeout break, timer overflow break
Trace functions	Trace data types	Program address, program data, access address, access data, status, time tag
	Trace modes	Unconditional trace, section trace, qualify trace, delay trigger trace
	Trace functions	Non-stop, full stop, full break, delay trigger stop, delay trigger break
	Memory capacity	128K frames
Real-time RAM monitoring function		All internal RAM spaces
Time measurement functions	Measurement clock	60 MHz
	Measurement objects	Start through end of program execution Start event through end event
	Maximum measurement time	Approx. 40 hours and 43 minutes (Resolution: 17 ns)
	Number of timers for measurement	Start through end of program execution: 1 Start event through end event: 2
	Measurement results	Execution time (start through end of execution) Maximum, minimum, average, total, pass count (between events)
	Other	Timer overflow break function, timeout break function
Other functions		Command functions set in the console, mapping function, event function, coverage function, snapshot function, DMM function, power-off emulation function, pin mask function, flash self programming emulation function

Note The number of breaks that can be set varies depending on the location where the break is set.

1.3 System Configuration

This section shows the system configuration when using the QB-78K0RKX3C connected to a PC (PC/AT™ compatible). Connection is possible even without optional products.

Figure 1-1. System Configuration



- | | |
|---|---|
| <p><1> Host machine</p> <p><2> ID78K0R-QB Disk/Accessory Disk</p> <p><3> USB interface cable</p> <p><R> <4> AC adapter</p> <p><5> QB-78K0RKX3C</p> <p><6> Check pin adapter (optional)</p> <p><7> Emulation probe</p> <p><8> Exchange adapter</p> <p><9> Space adapter (optional)</p> <p><10> YQ connector</p> <p><11> Target connector</p> <p><12> Mount adapter (optional)</p> <p><13> Device</p> <p><14> Target system</p> | <p>: IBM PC/AT compatible can be used</p> <p>: Debugger, USB drivers, manual, etc.</p> <p>: Cable connecting QB-78K0RKX3C to host machine</p> <p>: AC adapters classified by region</p> <p>: This product</p> <p>: Adapter used for monitoring waveforms with oscilloscope</p> <p>: High-characteristic FPC type emulation probe</p> <p>: Adapter that performs pin conversion</p> <p>: Adapter used for height adjustment</p> <p>: Connector that connects exchange adapter to target connector</p> <p>: Connector soldered to target system</p> <p>: Adapter used for mounting target device into socket</p> <p>: Target device</p> |
|---|---|

Remarks 1. Obtain device files from the NEC Electronics website.
<http://www.necel.com/micro/en/ods/>

2. Refer to **1.5 Package Contents** for the purchase forms of the above products.

3. As for handling of connectors, refer to **2.5 Mounting and Connecting Connectors**.

<R>

4. The part number of <4> differs depending on the region of use. See **Table 1-5 Part Numbers of AC Adapter for IECUBE Classified by Region** for the part numbers. The IECUBE requires an AC adapter that must be purchased separately.

<R>

5. See **Table 1-4 Common Probe and Adapter** for the part numbers of <6> and <7>.

<R>

6. The combination of <8>, <9>, <10>, <11>, and <12> varies depending on the emulation device. See **Table 1-3 Adapters and Connectors for Each Target Device** for the combinations.

1.4 System Configuration for Each Target Device

The following table lists the system configuration for each target device of the QB-78K0RKX3C.

Table 1-3. Adapters and Connectors for Each Target Device

Target Device	Package	Exchange Adaptor	Space Adaptor	YQ Connector	Target Connector	Mount Adaptor
	80GK	QB-80GK-EA-09T	QB-80GK-YS-01T	QB-80GK-YQ-01T	QB-80GK-NQ-01T	QB-80GK-HQ-01T
	100GC	QB-100GC-EA-07T	QB-100GC-YS-01T	QB-100GC-YQ-01T	QB-100GC-NQ-01T	QB-100GC-HQ-01T
<R> 78K0R/KF3-L	80GK	QB-80GK-EA-09T	QB-80GK-YS-01T	QB-80GK-YQ-01T	QB-80GK-NQ-01T	QB-80GK-HQ-01T
	80GC	QB-80GC-EA-10T	QB-80GC-YS-01T	QB-80GC-YQ-01T	QB-80GC-NQ-01T	QB-80GC-HQ-01T
<R> 78K0R/KF3-L	100GC	QB-100GC-EA-07T	QB-100GC-YS-01T	QB-100GC-YQ-01T	QB-100GC-NQ-01T	QB-100GC-HQ-01T
	100GF	QB-100GF-EA-05T	QB-100GF-YS-01T	QB-100GF-YQ-01T	QB-100GF-NQ-01T	QB-100GF-HQ-03T

Table 1-4. Common Probe and Adapter

Name	Part Number
Check pin adapter	QB-144-CA-01
Emulation probe	QB-144-EP-02S

The adapter and connector for each device are sold separately. An exchange adaptor, a YQ connector, a target connector, and an emulation probe are included, depending on the order product name. For details, refer to **1.5 Package Contents**.

Remark For the package drawings of the connector, adaptor, and probe, refer to the following URL.
<http://www.necel.com/micro/en/index.html>

1.5 Package Contents

The included products are described for each order product name.

- <R> Products supplied with QB-78K0RKX3C-ZZZ
- 1: QB-78K0RKX3C
 - 2: USB interface cable (2 meters)
 - 3: Online user registration card (warranty card and software contract in one)
 - 4: ID78K0R-QB Disk (CD-ROM)
 - 5: Accessory Disk (CD-ROM)
 - 6: IECUBE Setup Manual (Japanese/English)
 - 7: Packing list
 - 8: QB-MINI2
- Products supplied with QB-78K0RKX3C-T80GK
- 1 to 8
- <R> 9: Emulation probe QB-144-EP-02S
- 10: Exchange adapter QB-80GK-EA-09T
- 11: YQ connector QB-80GK-YQ-01T
- 12: Target connector QB-80GK-NQ-01T
- <R> Products supplied with QB-78K0RKX3C-T80GC
- 1 to 8
- 9: Emulation probe QB-144-EP-02S
- 10: Exchange adapter QB-80GC-EA-10T
- 11: YQ connector QB-80GC-YQ-01T
- 12: Target connector QB-80GC-NQ-01T
- Products supplied with QB-78K0RKX3C-T100GC
- 1 to 8
- 9: Emulation probe QB-144-EP-02S
- <R> 10: Exchange adapter QB-100GC-EA-07T
- 11: YQ connector QB-100GC-YQ-01T
- 12: Target connector QB-100GC-NQ-01T
- <R> Products supplied with QB-78K0RKX3C-T100GF
- 1 to 8
- 9: Emulation probe QB-144-EP-02S
- 10: Exchange adapter QB-100GF-EA-05T
- 11: YQ connector QB-100GF-YQ-01T
- 12: Target connector QB-100GF-NQ-01T

<R> 1.6 AC Adapter for IECUBE

The specifications of the AC adapter for IECUBE differ depending on the region of use.
Be sure to use an AC adapter corresponding to the region of use.

The IECUBE is not provided with an AC adapter.
It must be purchased separately.

Table 1-5. Part Numbers of AC Adapter for IECUBE Classified by Region

Product	Destination (Region) ^{Notes 1,2}	Part Number ^{Note 3}
AC adapter (sold separately)	Japan	QB-COMMON-PW-JP
	USA	QB-COMMON-PW-EA
	China	QB-COMMON-PW-CN
	Hong Kong	QB-COMMON-PW-HK
	South Korea	QB-COMMON-PW-KR
	Singapore	QB-COMMON-PW-SG
	Taiwan	QB-COMMON-PW-TW

- Notes**
1. Products are shipped only on order from each region.
 2. Contact a distributor or an NEC Electronics sales representative for information on regions other than the above.
 3. Only the AC adapter usable in each region can be ordered.

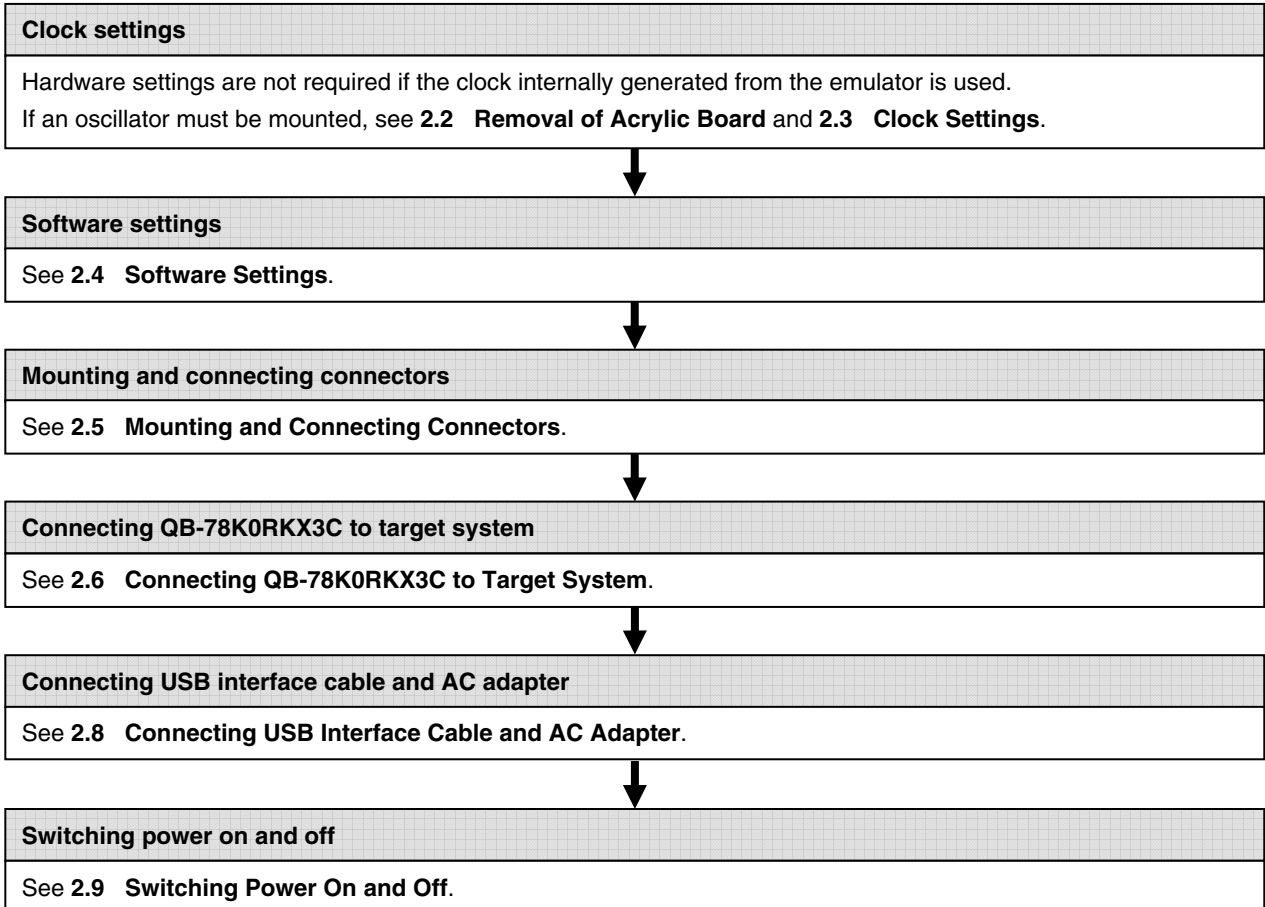
CHAPTER 2 SETUP PROCEDURE

This chapter explains the QB-78K0RKX3C setup procedure.

Setup can be completed by performing installation setup in the order in which it appears in this chapter.

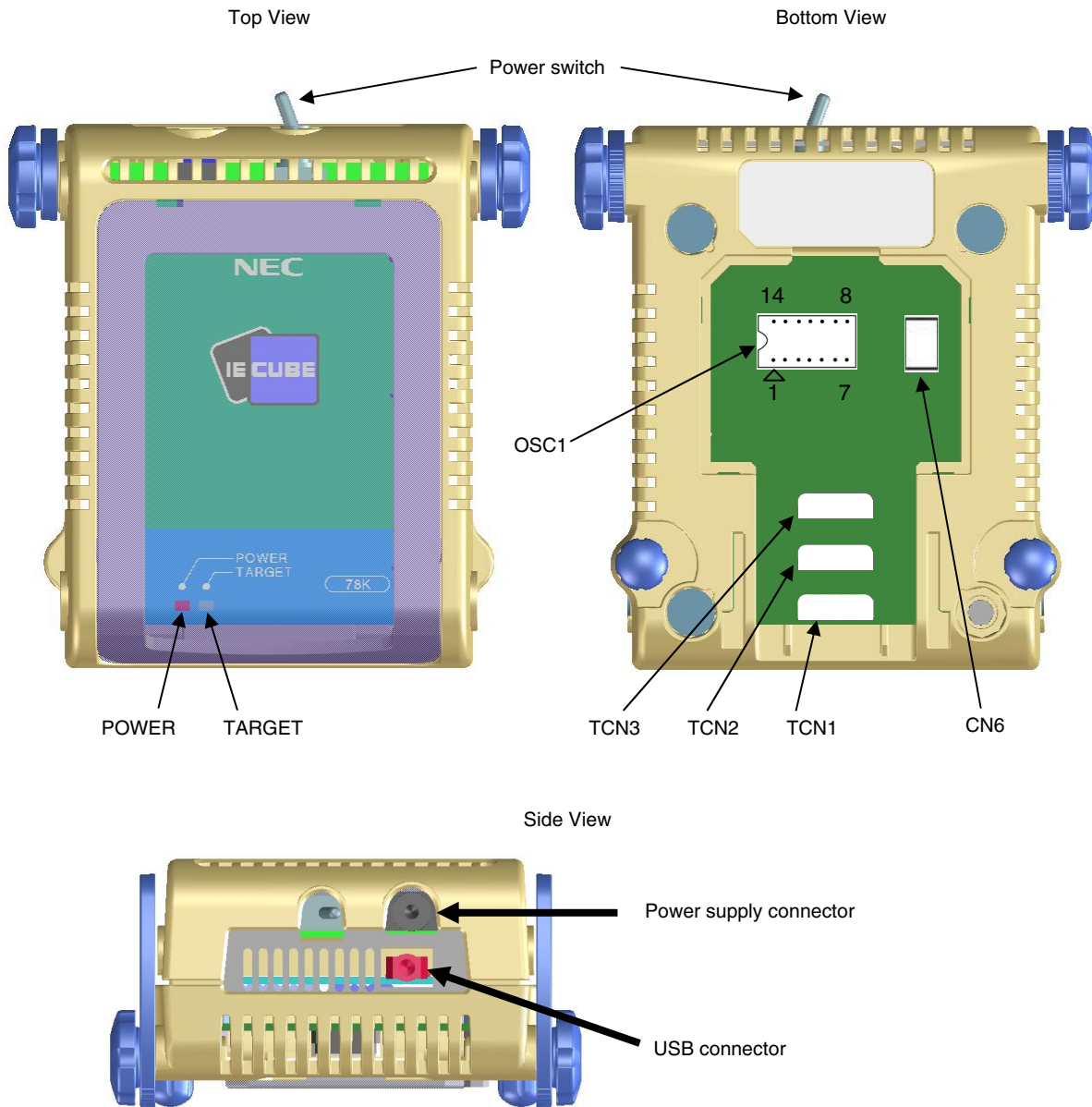
Perform setup along the lines of the following procedure.

See **2.1 Names and Functions of Hardware** for clock positions.



2.1 Names and Functions of Hardware

Figure 2-1. Names of Parts of QB-78K0RKX3C



(1) TCN1, TCN2, TCN3

These are connectors for connecting a check pin adapter or emulation probe.

(2) OSC1

This is a socket for mounting the oscillator.

(3) CN6

This is a connector for the shipment inspection. It is not something that the user will need.

(4) POWER (Red LED)

This is an LED that shows whether the power supply of the QB-78K0RKX3C is switched on.

LED State	QB-78K0RKX3C State
Lit	Power switch ON
Not lit	Power switch OFF or AC adapter not connected to QB-78K0RKX3C
Blinking	Internal error occurred (Contact an NEC Electronics sales representative or distributor)

(5) TARGET (Green LED)

This is an LED that shows whether the power supply of the target system is switched on.

LED State	Target System State
Lit	Target system power supply ON
Not lit	Target system power supply OFF or target system not connected

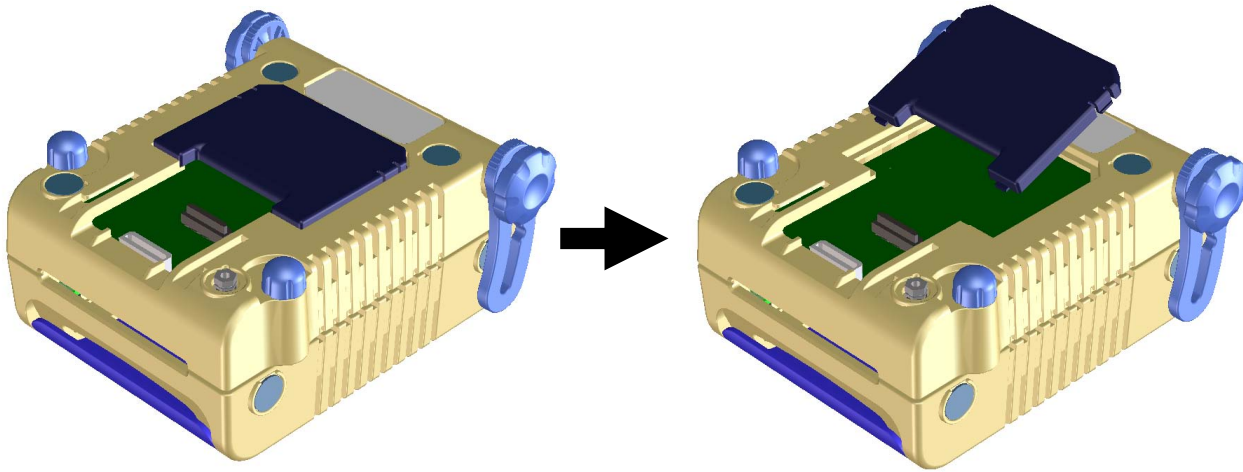
(6) Power switch

This is the power switch of the QB-78K0RKX3C.
It is OFF at shipment.

2.2 Removal of Acrylic Board

To modify the clock setting, the acrylic board on the bottom of the QB-78K0RKX3C must be removed. The acrylic board can be removed by lifting it up.

Figure 2-2. Acrylic Board Removal Method



2.3 Clock Settings

The following four types of clock settings are available.

Each clock setting is listed below.

Clock Used	Clock Supply	Debugger Setting (in Configuration Dialog)
(1) High-speed system clock ^{Note 1} (X1 oscillator or External input)	(a) When the clock generated within the emulator is used	System
	(b) When the clock is supplied from the target system	External
	(c) When the oscillator (OSC1) mounted onto the emulator is used	Clock Socket
(2) Internal high-speed oscillation clock	Uses the clock internally generated from the emulator	–
(3) Subsystem clock ^{Note 2} (XT1 oscillator)	(a) When the clock generated within the emulator is used	System
	(b) When the clock is supplied from the target system	External

Notes 1. First, select “System” in the debugger settings (refer to (a) When the clock generated within the emulator is used, in (1) High-speed system clock).

If there is no clock that can be selected, follow the descriptions below.

- If the target system clock can supply a square wave for the emulator:

Select “External” in the debugger settings (refer to (b) When the clock is supplied from the target system, in (1) High-speed system clock).

- If the target system clock cannot supply a square wave for the emulator:

Mount onto the emulator the oscillator of the clock to be used and select “Clock Socket” in the debugger settings (refer to (c) When the oscillator (OSC1) mounted onto the emulator is used, in (1) High-speed system clock).

2. First, select “System” in the debugger settings (refer to (a) When the clock generated within the emulator is used, in (3) Subsystem clock).

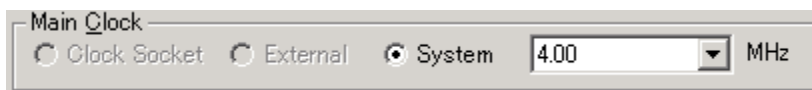
If there is no clock that can be selected, it can be supplied from the target system clock. A square wave, however, must be supplied (refer to (b) When the clock is supplied from the target system, in (3) Subsystem clock).

Oscillation with the resonator on the target system is not supported. Therefore, the in-circuit emulator cannot emulate the oscillation operation of the clock on the target system.

- (1) High-speed system clock
 The clock settings are listed below.

Table 2-1. Settings for High-Speed System Clock

Type of Clock to Be Used	OSC1	Debugger Setting
(a) When the clock generated within the emulator is used	–	System
(b) When the clock is supplied from the target system ^{Note}	–	External
(c) When the oscillator (OSC1) mounted onto the emulator is used	Oscillator mounted	Clock Socket



Note This setting is not possible when TARGET LED is not lit.

Remarks 1. Settings other than the above are prohibited.

2. Selection of (a) or (b) is possible regardless of whether the oscillator is not mounted in the OSC1socket.

- (a) When the clock generated within the emulator is used

Select the “System” in the debugger and select the desired frequency from the drop-down list.

The following frequencies are selectable.

2.00, 3.00, 3.57, 4.00, 4.19, 4.91, 5.00, 6.00, 8.00, 8.38, 10.00, 12.00, 16.00, 20.00 [MHz]

- (b) When the clock is supplied from the target system

Select the “External” in the debugger. The clock input from the target system is then used.

Oscillation with the resonator on the target system is not supported. To input a clock from the target system, input to the clock pin (X2) the square-wave signal with the same voltage potential as that of the target device supply voltage (V_{DD}). Inputting the inverted signal to X1 is not necessary.

The selectable frequencies are same as those of the target device.

- (c) When the oscillator (OSC1) mounted onto the emulator is used

Mount an oscillator in the OSC1 socket in the emulator and then select the “Clock socket” in the debugger. The clock generated from the oscillator mounted on the emulator is used.

The selectable frequencies are same as those of the target device.

As an oscillator^{Note} to be mounted in the OSC1 socket in the emulator, use the one that satisfies the following specifications.

- Supply voltage: 5 V
- Output level: CMOS

Note An oscillator that uses a resonator cannot be used.

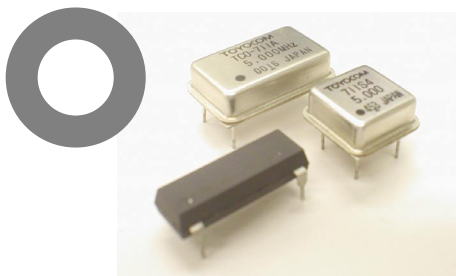


Figure 2-3. Oscillator Shape

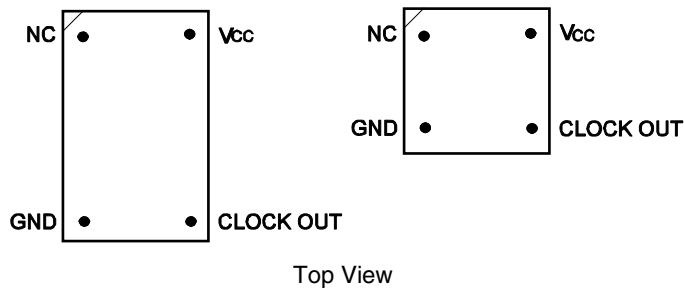
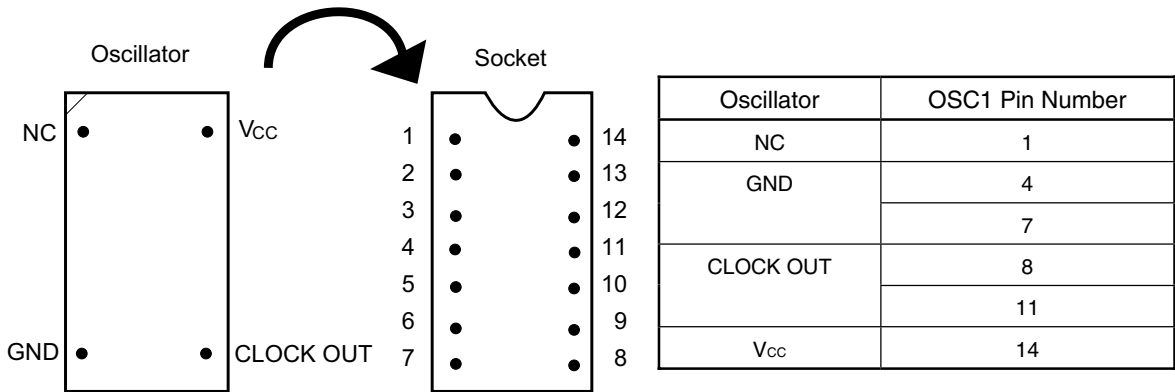


Figure 2-4. Mapping of Oscillator to Socket



Remark Insert the oscillator into the socket, take care for the pin 1 position.

(2) Internal high-speed oscillation clock

The debugger setting is not necessary.

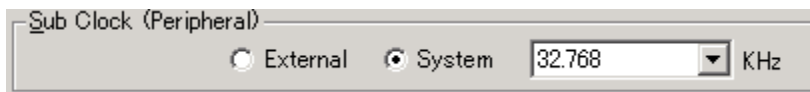
The use of the internal high-speed oscillation clock can be specified in the user program.

(3) Subsystem clock

The clock settings are listed below.

Table 2-2. Settings for Subsystem Clock

Type of Clock to Be Used	Debugger Setting
(a) When the clock generated within the emulator is used	System
(b) When the clock is supplied from the target system ^{Note}	External



Note This setting is not possible when TARGET LED is not lit.

Remark Settings other than above are prohibited.

(a) When the clock generated within the emulator is used

Select the “System” in the debugger and select “32.768” [kHz] as the frequency from the drop-down list.

32.768 [kHz]

Remark “38.400” [kHz] can also be selected from the list, but do not select this frequency; it is not supported by the device.

(b) When the clock is supplied from the target system

Select the “External” in the debugger. The clock input from the target system is then used.

Oscillation with the resonator on the target system is not supported. To input a clock from the target system, input to the clock pin (XT2) the square-wave signal with the same voltage potential as that of the target device supply voltage (V_{DD}). Inputting the inverted signal to XT1 is not necessary.

The selectable frequencies are same as those of the target device.

2.4 Software Settings

For details, see the **ID78K0R-QB Ver. 3.20 Integrated Debugger Operation User's Manual (U17839E)**.

2.5 Mounting and Connecting Connectors

This section describes the methods of connecting the QB-78K0RKX3C and target system.

Make connections with both the QB-78K0RKX3C and target system powered OFF.

The following abbreviations are used in this section:

- TC: Target connector
- YQ: YQ connector
- EA: Exchange adapter
- MA: Mount adapter
- CA: Check pin adapter
- SA: Space adapter

2.5.1 Mounting TC to target system

- (1) Thinly apply a two-component epoxy adhesive (hardening time at least 30 minutes) to the ends of the four projections on the base of the TC and adhere the TC to the user board (clean the surface of the target system board using alcohol or the like). If alignment of target system pads to TC leads is difficult, align them as in (2).
- (2) Align by inserting the guide pins for alignment for the TC (NQGUIDE) through the pin holes on the top of the TC. Accessory holes are $\phi 1.0$ mm non-through holes in two or three places.
(For hole positions, see the particular TC drawing.)
- (3) Solder after fitting the MA to the TC. This is to prevent troubles such as flux or solder splashing and adhering to the TC contact pins when soldering.
 - Soldering conditions Solder reflow $260^{\circ}\text{C} \times 10$ seconds or less
 Manual soldering $350^{\circ}\text{C} \times 5$ seconds or less (1 pin)

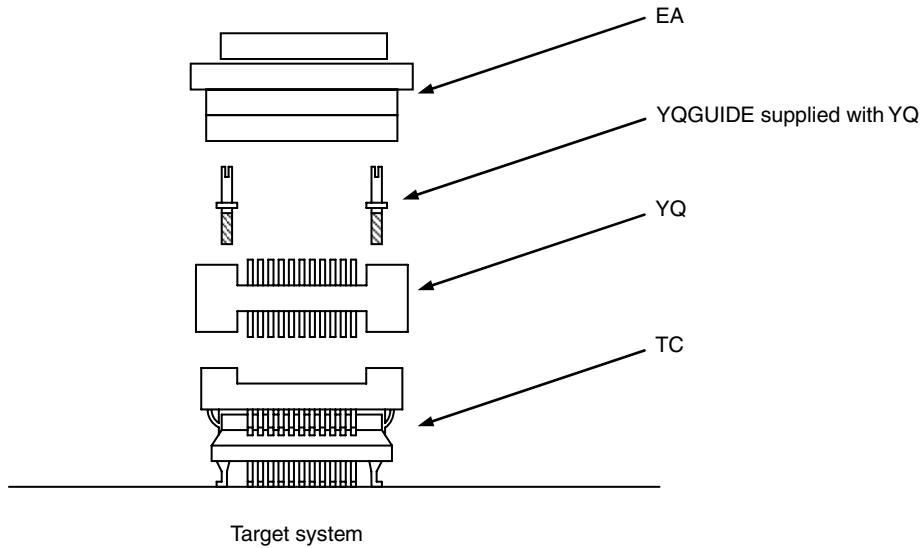
Caution Do not perform washing by flux immersion or vapor.

- (4) Take away the guide pins.

2.5.2 Mounting YQ to TC

- (1) After confirming that there are no broken or bent YQ contact pins, fit the YQ in the TC and fasten it using the supplied YQGUIDE (for the fastening method, see the next step, (2)). If repeatedly inserting and removing, be sure to inspect the YQ pins before fitting. If pins are bent, correct them using something thin and flat such as the edge of a knife.

- (2) Fasten YQ to the TC on the target system using the supplied YQGUIDE. Fasten the screws equally in the four corners using the supplied flat-blade screwdriver or a torque driver. The tightening torque of the YQGUIDE is 0.054 Nm (MAX.). Too great tightening causes bad connections. However, four screws for fitting to the TC (M2 x 10 mm / 4 units) are included with the YQ.



2.5.3 Plugging EA into YQ

Match the pin 1 position of the YQ or SA (corner cuts match in both) to the pin 1 position of the EA and plug in.

- When plugging or unplugging, press on the TC, YQ, and SA with a finger so that there is no force on the TC.
- When plugging or unplugging, be careful of the direction of wiggling.

As a tool when unplugging, insert some kind of thin non-conductive material such as a wooden stick between the YQ (SA) and EA and wiggle while slowly unplugging. Be careful since the connector will be damaged if this is done in the wrong direction.

2.5.4 Precautions for handling TC, YQ, SA, and CA

- (1) When taking the TC from the box, press down on the body and take out the sponge first.
- (2) Since the pins of the YQ are thin and easily bent, be careful. When inserting it in the TC, confirm that there are no bent pins.
- (3) When screwing a YQ soldered to a board to the TC, fasten the screws in four places in turn using a #0 or #1 Phillips precision screwdriver or torque driver after tentatively tightening them. Fix the torque at 0.054 Nm (MAX.).
If just one place is overtightened, it may cause poor contact. Moreover, a board being connected to the YQ must have accessory holes in prescribed positions (four places: $\phi 2.3$ mm or $\phi 3.3$ mm). The $\phi 3.8$ mm or $\phi 4.3$ mm that is the screw head size is an area where wiring is prohibited.
- (4) In YQ and SA removal, since there is a danger of YQ pins being bent or broken when prying and wiggling, remove them gradually using a flatbladed screwdriver from four directions. Moreover, to connect and use the YQ and SA, screw the YQ to the TC according to the YQGUIDE (included with the YQ) using a 2.3 mm flatbladed screwdriver and then connect it to the SA. Fix the torque at 0.054 Nm (MAX.). If even one place is overtightened, it may cause poor contact.
- (5) For the TC, YQ, and SA, since there is a danger that washing fluid on the structure will remain in the connector, do not perform washing.
- (6) TC, IC, and YQ cannot be used in combination.
- (7) A TC/YQ system cannot be used in an environment of vibrations or shocks.
- (8) It is assumed that this product will be used in system development and evaluation. Moreover, when used in Japan, Electrical Appliance and Material Control Law and electromagnetic disturbance countermeasures have not been applied.
- (9) Since there are rare cases of shape change if the box is left for a long time in a place where it is 50°C or higher, for safekeeping, store it in a place where it is no higher than 40°C and direct sunlight does not hit it.
- (10) For details about handling the TC, YQ, and SA, see the NQPACK series technical materials at the website of Tokyo Eletech Corporation.
URL: <http://www.tetc.co.jp/>

(11) CA

The CA is an optional product for IECUBE, and can be used to measure the waveform between IECUBE and the target system.

Since the pins on the CA do not correspond to the pin layout in each device, the pin header cover must be mounted according to the device to be used. For mounting methods of the pin header cover, refer to **[Related Content]** on the following URL.

<http://www.necel.com/micro/en/index.html>

2.5.5 Precautions for mounting IC using TC and MA

- (1) Confirm that there is no weld flash in the resin (sealant part) of the IC. If there is weld flash, remove it using a knife or the like.
- (2) Confirm that there is no weld flash breaking or bending of IC leads. In particular, confirm the planarity of IC leads. If there is abnormality in the planarity, correct that portion.
- (3) Viewing the TC contact pins from the top, if there are foreign bodies on them, remove them using a brush or the like.

After confirming (1) to (3), fit the IC to the TC. Also fit the MA.

- (4) Put the supplied M2 x 6 mm screws in the four accessory holes of the MA and fasten the screws in opposite corners. At that time, use either the dedicated screwdriver that is supplied or a torque driver to fasten them equally in turn with a tightening torque of 0.054 Nm (MAX.). Since the contact is poor if tightening is too great, once you have lightly fastened the MA screws, tighten them again.
- (5) Depending on the use environment, when starting up a device that has been left for a long time, starting it may be difficult. In this case, loosen the screws slightly and then retighten them.
- (6) If startup still is difficult after (5) above, check (1) to (3) again.
- (7) Tightening the screws of the MA too much may give rise to cracks in the molded part of the MA (plastic part) and bend the mold into a bowed shape, making contact poor.
- (8) After soldering the TC, do not perform cleaning by flux immersion or vapor.

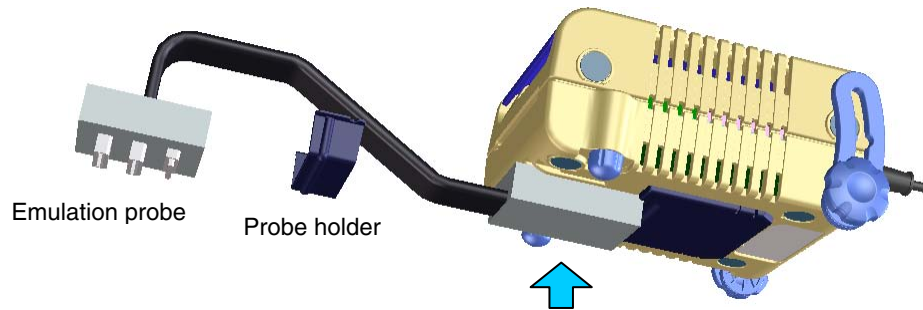
2.6 Connecting QB-78K0RKX3C to Target System

If connecting the emulation probe (QB-144-EP-02S), connect it to the QB-78K0RKX3C and the target system by the following procedure.

- (a) Connection between QB-78K0RKX3C and probe
Connect the QB-78K0RKX3C to the probe.

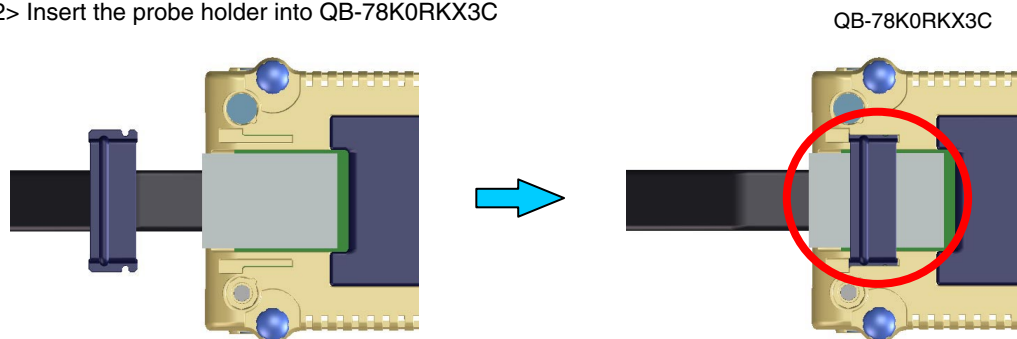
Figure 2-5. Connection between QB-78K0RKX3C and probe

- <1> Connect the QB-78K0RKX3C to the probe.



Insert the probe into the QB-78K0RKX3C, aligning TCN1, TCN2, and TCN3 of the QB-78K0RKX3C with TCN1, TCN2, and TCN3 of the probe.

- <2> Insert the probe holder into QB-78K0RKX3C



Insert the probe holder into the QB-78K0RKX3C until you hear a click (note the direction).

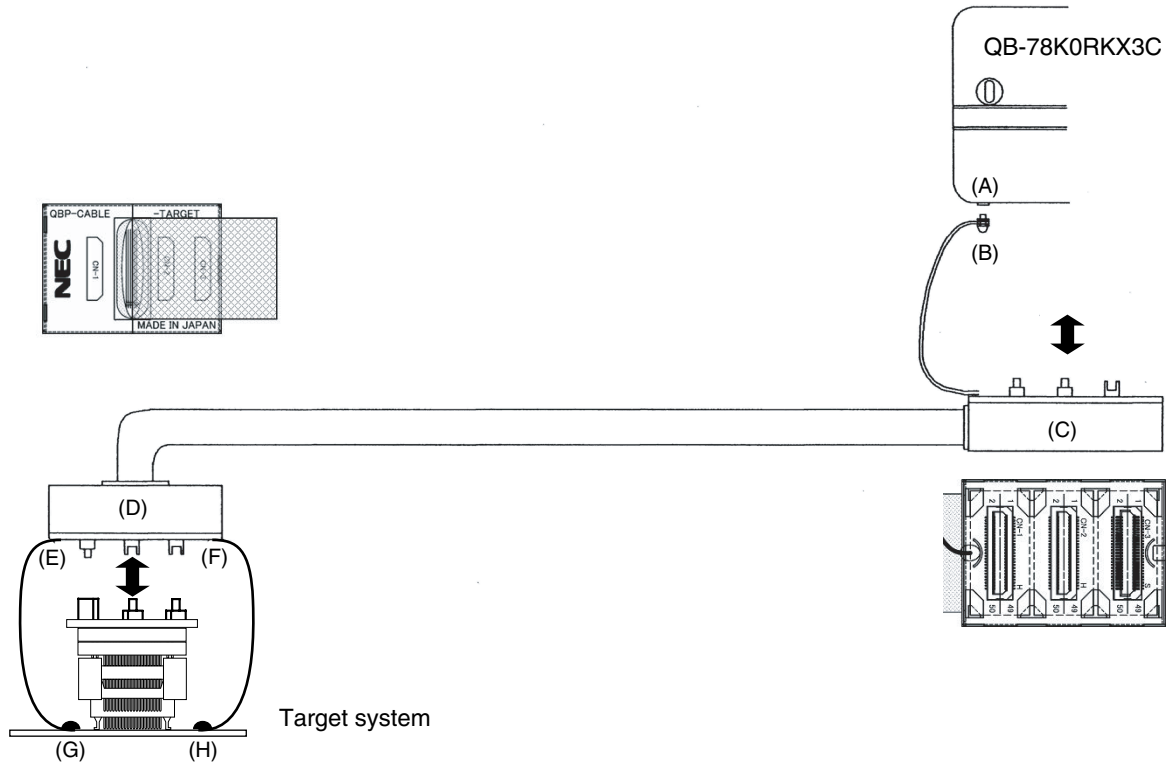
- (b) Connection of emulation probe GND wire

There are two GND wires in the emulation probe. Connect them to the QB-78K0RKX3C and target system.

- <1> Fasten the GND wire on the QB-78K0RKX3C side of the emulation probe to the nut on the bottom of the QB-78K0RKX3C using a #0 or #1 Phillips precision screwdriver (connection of B to A in **Figure 2-6**).

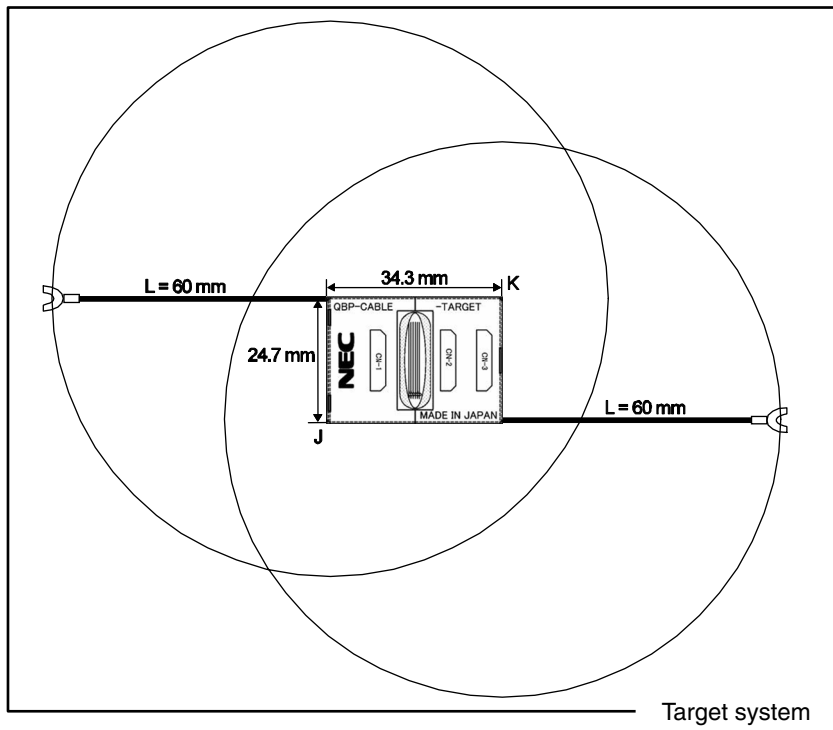
- <2> Next insert the connector on the top of the emulation probe into the connector at the opening on the bottom of the QB-78K0RKX3C from below being careful of the insertion direction.

Figure 2-6. GND Wire



- <3> Connect the exchange adapter and emulation probe to the target connector.
- <4> Connect the GND wire on the target system side of the emulation probe to the target system GND. If a pin or screw is fastened to the target system GND, remove the transparent terminal cover on the end of the GND wire and fasten the Y terminal of the GND wire to the target system (C in **Figure 2-6**). If the GND on the target system is an exposed pad, likewise fasten the Y terminal to the pad on the target system by soldering (recommended soldering iron temperature setting: 300°C).
- <5> Since the length of the GND wire below the head (insulated part) is approximately 60 mm, there must be a GND to which it can be connected to within the range of the two approximately 60 mm radius sections of the target system for connecting the emulation probe, as shown in **Figure 2-7**.

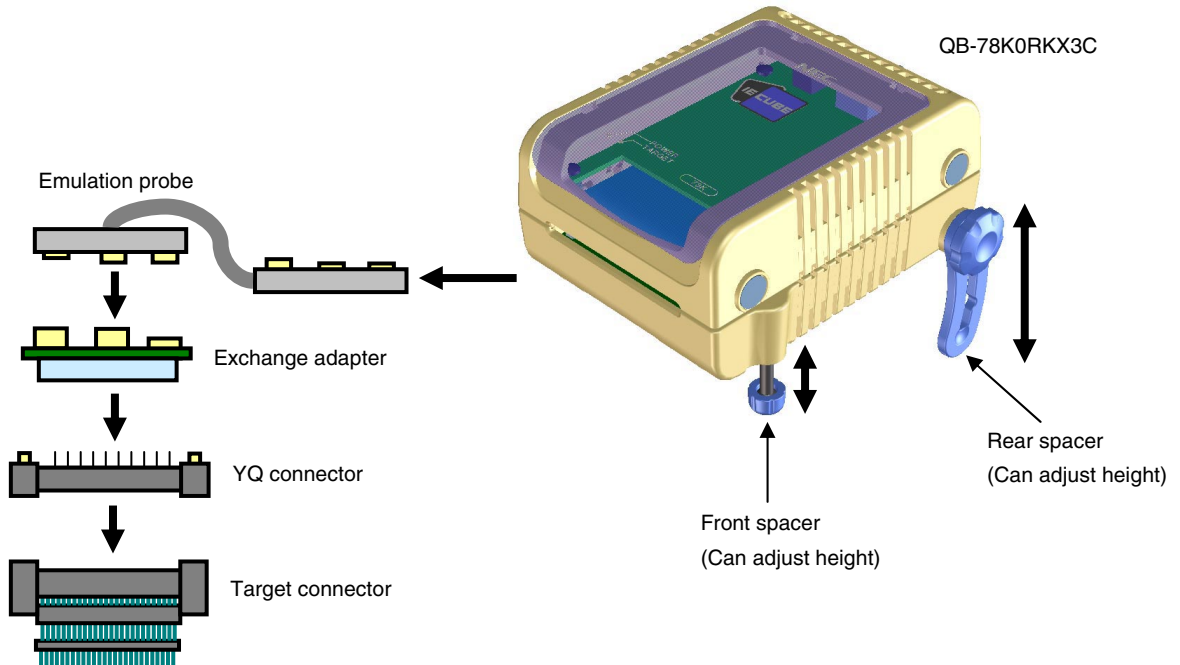
Figure 2-7. Where GND Wire Can Be Connected



(c) Ensuring isolation

When connecting the target system to the QB-78K0RKX3C using an emulation probe, perform height regulation using the front spacer or rear spacer of the QB-78K0RKX3C and ensure isolation from the target system.

Figure 2-8. Connection Using Emulation Probe



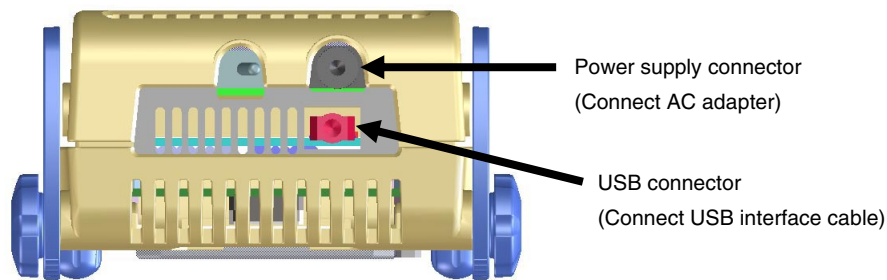
(d) Precautions related to emulation probe

- <1> Be careful that stress of the emulation probe is not placed on the target connector. Moreover, when removing the emulation probe, remove it slowly while pressing down on the exchange adapter with a finger so that there is no stress on the target connector.
- <2> Be sure to connect the GND wire of the emulation probe to the QB-78K0RKX3C and the target system. If it cannot be connected, the impedance of the cable is unstable and could bring about lowering of signal transmission characteristics or distortion of the output waveform for an input waveform.

2.7 Notes on Power Supply and GND Pin Connection

For power supplies and GND pins of the target device, be sure to connect all pins to each power supply or GND.

Figure 2-9. Connector Positions



2.8 Connecting USB Interface Cable and AC Adapter

Plug the USB interface cable supplied with the QB-78K0RKX3C into the USB connector of the host machine, and plug the other side into the USB connector on the rear of the QB-78K0RKX3C.

Plug the AC adapter supplied with the QB-78K0RKX3C into a receptacle and plug the other side into the power supply connector on the rear of the QB-78K0RKX3C.

For QB-78K0RKX3C connector positions, see **Figure 2-9**.

2.9 Switching Power On and Off

Be sure to switch the power on and off according to the following procedures.

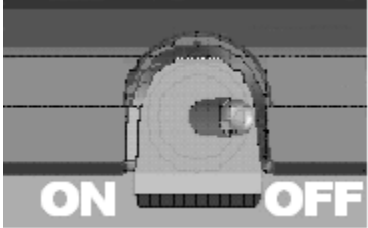
- | | |
|--|---|
| - Switching power on | - Switching power off |
| <1> QB-78K0RKX3C power on | <1> Debugger termination |
| <2> Target system power on ^{Note} | <2> Target system power off ^{Note} |
| <3> Debugger startup | <3> QB-78K0RKX3C power off |

Note In the procedures, <2> is unnecessary if the target system is not connected.

Caution If the wrong sequence was used for the operation, the target system or QB-78K0RKX3C may fail

CHAPTER 3 SETTINGS AT PRODUCT SHIPMENT

Table 3-1. Settings at Shipment

Item	Setting	Remarks
OSC1	Not mounted	Oscillator can be mounted ^{Note} .
Power switch		Set to OFF at shipment.

Note The oscillation circuit using an oscillation cannot be used.

CHAPTER 4 CAUTIONS

<R> 4.1 Cautions Regarding Differences Between Target Device and Emulator

When debugging is performed by connecting the QB-78K0RKX3C to the target system, the QB-78K0RKX3C emulates the target device as if it operates in the target system. However, the target device and the QB-78K0RKX3C operate differently in the following ways. Consequently, the target device should be used for final evaluation before launching mass production, and the customer is to be responsible for judging the appropriateness of applying the QB-78K0RKX3C.

<R> 4.1.1 Operation after target system power application

After power application, a program will be executed for the target device mounted in the target system when reset is released. However, with the QB-78K0RKX3C, the program does not start until an operation to start execution is performed after the program is downloaded using the debugger.

<R> 4.1.2 Oscillator

The QB-78K0RKX3C does not support clock input by an oscillator in the target system. Consequently, the operation clock frequency when the target device is mounted in the target system may differ from the operation clock frequency when the QB-78K0RKX3C is connected.

<R> 4.1.3 Pin characteristics

The pin characteristics of the QB-78K0RKX3C slightly differ when the target device is mounted to the target system, because a connector, adapter, emulation probe, and circuit board exist between the QB-78K0RKX3C and the target system. In particular, note that the A/D converter conversion results are commonly-affected.

<R> 4.1.4 On-chip debug function

The on-chip debug function cannot be emulated.

<R> 4.1.5 Current consumption

The current consumption of the QB-78K0RKX3C differs from that of the target device.

The current consumption may reach up to 3.3 mA. The same amount of current is consumed in standby mode.

4.2 Target System Voltage During a Break

Do not decrease the voltage of the target system during a break.

A reset that is generated by the low-voltage detector (LVI) or by power-on-clear (POC) during a break may cause an incorrect operation of the debugger or communication errors.

4.3 P62, P63, P121, and P122 Pins

The input characteristics of the P62, P63, P121, and P122 pins differ between the target device and emulator.

Table 4-1. Input Characteristics of P62 and P63 Pins

Item	Input Characteristics of P62 and P63 Pins
Target device	CMOS input
IECUBE	Schmitt input

Table 4-2. Input Characteristics of P121 and P122 Pins

Item	Input Characteristics of P121 and P122 Pins
Target device	Schmitt input
IECUBE	CMOS input

4.4 Absolute Maximum Rating of P62 Pin

The absolute maximum rating of the P62 pin differs between the target device and emulator.

IECUBE may be damaged if a voltage greater than 5.5 V is applied.

Table 4-3. Absolute maximum rating of P62 pin

Item	Absolute maximum rating of P62 pin
Target device	6.5 V
IECUBE	5.5 V

4.5 FLMD0 Pin

The processing for the FLMD0 pin differs from that of the target device.

Table 4-4. FLMD0 Pin Processing

Item	FLMD0 Pin Processing
Target device	Protection resistance: 4.5 k Ω (TYP.) Pull-up/pull-down resistors: 10 k Ω (MIN.), 20 k Ω (TYP.), 100 k Ω (MAX.)
IECUBE	Protection resistance: 4.7 k Ω (TYP.) Pull-up/pull-down resistors: 29 k Ω (MIN.), 30 k Ω (TYP.), 32 k Ω (MAX.)

4.6 Power-on-clear (POC) Voltage Value

The power-on-clear (POC) voltage value differs from that of the target device.

Table 4-5. Power-on-clear (POC) voltage value

Item		MIN.	TYP.	MAX.
Target device	VPOR	1.52 V	1.61 V	1.70 V
	VPDR	1.50 V	1.59 V	1.68 V
IECUBE	VPOR	–	1.65 V	–
	VPDR	–	1.55 V	–

4.7 TTL Input Buffer Characteristics

If the port input mode register (PIM) is used to set the input of a pin that can be set for the TTL buffer to the TTL level, the high-level input voltage characteristics differ between the target device and emulator. See Table 4-6 for details.

The following pins can be set for the TTL buffer.

Target pins: P03, P04, P10, P11, P142, P143

Table 4-6. High-Level Input Voltage Characteristics

Item	Conditions	MIN
Target device	$4.0\text{ V} \leq V_{DD} \leq 5.5\text{ V}$	2.2 V
	$2.7\text{ V} \leq V_{DD} < 4.0\text{ V}$	2.0 V
	$1.8\text{ V} \leq V_{DD} < 2.7\text{ V}$	1.6 V
IECUBE ^{Note}	$1.8\text{ V} \leq V_{DD} \leq 5.5\text{ V}$	2.0 V

Note Use CMOS input if VDD is 2.0 V or less.

4.8 A/D Converter Scan Mode

If a break occurs while using the A/D converter in scan mode, the A/D converter is not stopped even during the break. Consequently, it cannot be ascertained which value stored in the conversion result register is the conversion result of the ANI pin.

If a break occurs while using the A/D converter in scan mode, do not re-execute the program (instead, reset the CPU).

APPENDIX REVISION HISTORY

Revisions up to the previous edition are shown below. The “Applied to” column indicates the chapter in each edition to which the revision was applied.

Edition	Description	Applied to
2nd edition	Deletion of Preliminary Addition of the 78K0R/KF3-L, 78K0R/KG3-L	General
	Addition of the Remarks 4, 5, 6 in 1.3 System Configuration Change of Description in Figure 1-1. System Configuration Change of Description in 1.5 Package Contents Addition of 1.6 AC Adapter for IECUBE	CHAPTER 1 GENERAL
	Addition of Caution in 4. 1 Cautions Regarding Differences Between Target Device and Emulator Addition of 4.1.1 Operation after target system power application Addition of 4.1.2 Oscillator Addition of 4.1.3 Pin characteristics Addition of 4.1.4 On-chip debug function Addition of 4.1.5 Current consumption	CHAPTER 4 CAUTIONS

[MEMO]

[MEMO]

*For further information,
please contact:*

NEC Electronics Corporation

1753, Shimonumabe, Nakahara-ku,
Kawasaki, Kanagawa 211-8668,
Japan
Tel: 044-435-5111
<http://www.necel.com/>

[America]

NEC Electronics America, Inc.

2880 Scott Blvd.
Santa Clara, CA 95050-2554, U.S.A.
Tel: 408-588-6000
800-366-9782
<http://www.am.necel.com/>

[Europe]

NEC Electronics (Europe) GmbH

Arcadiastrasse 10
40472 Düsseldorf, Germany
Tel: 0211-65030
<http://www.eu.necel.com/>

Hanover Office

Podbielskistrasse 166 B
30177 Hannover
Tel: 0 511 33 40 2-0

Munich Office

Werner-Eckert-Strasse 9
81829 München
Tel: 0 89 92 10 03-0

Stuttgart Office

Industriestrasse 3
70565 Stuttgart
Tel: 0 711 99 01 0-0

United Kingdom Branch

Cygnus House, Sunrise Parkway
Linford Wood, Milton Keynes
MK14 6NP, U.K.
Tel: 01908-691-133

Succursale Française

9, rue Paul Dautier, B.P. 52
78142 Velizy-Villacoublay Cédex
France
Tel: 01-3067-5800

Sucursal en España

Juan Esplandiú, 15
28007 Madrid, Spain
Tel: 091-504-2787

Tyskland Filial

Täby Centrum
Entrance S (7th floor)
18322 Täby, Sweden
Tel: 08 638 72 00

Filiale Italiana

Via Fabio Filzi, 25/A
20124 Milano, Italy
Tel: 02-667541

Branch The Netherlands

Steijgerweg 6
5616 HS Eindhoven
The Netherlands
Tel: 040 265 40 10

[Asia & Oceania]

NEC Electronics (China) Co., Ltd

7th Floor, Quantum Plaza, No. 27 ZhiChunLu Haidian
District, Beijing 100083, P.R.China
Tel: 010-8235-1155
<http://www.cn.necel.com/>

Shanghai Branch

Room 2509-2510, Bank of China Tower,
200 Yincheng Road Central,
Pudong New Area, Shanghai, P.R.China P.C.:200120
Tel:021-5888-5400
<http://www.cn.necel.com/>

Shenzhen Branch

Unit 01, 39/F, Excellence Times Square Building,
No. 4068 Yi Tian Road, Futian District, Shenzhen,
P.R.China P.C.:518048
Tel:0755-8282-9800
<http://www.cn.necel.com/>

NEC Electronics Hong Kong Ltd.

Unit 1601-1613, 16/F., Tower 2, Grand Century Place,
193 Prince Edward Road West, Mongkok, Kowloon, Hong Kong
Tel: 2886-9318
<http://www.hk.necel.com/>

NEC Electronics Taiwan Ltd.

7F, No. 363 Fu Shing North Road
Taipei, Taiwan, R. O. C.
Tel: 02-8175-9600
<http://www.tw.necel.com/>

NEC Electronics Singapore Pte. Ltd.

238A Thomson Road,
#12-08 Novena Square,
Singapore 307684
Tel: 6253-8311
<http://www.sg.necel.com/>

NEC Electronics Korea Ltd.

11F., Samik Lavied'or Bldg., 720-2,
Yeoksam-Dong, Kangnam-Ku,
Seoul, 135-080, Korea
Tel: 02-558-3737
<http://www.kr.necel.com/>