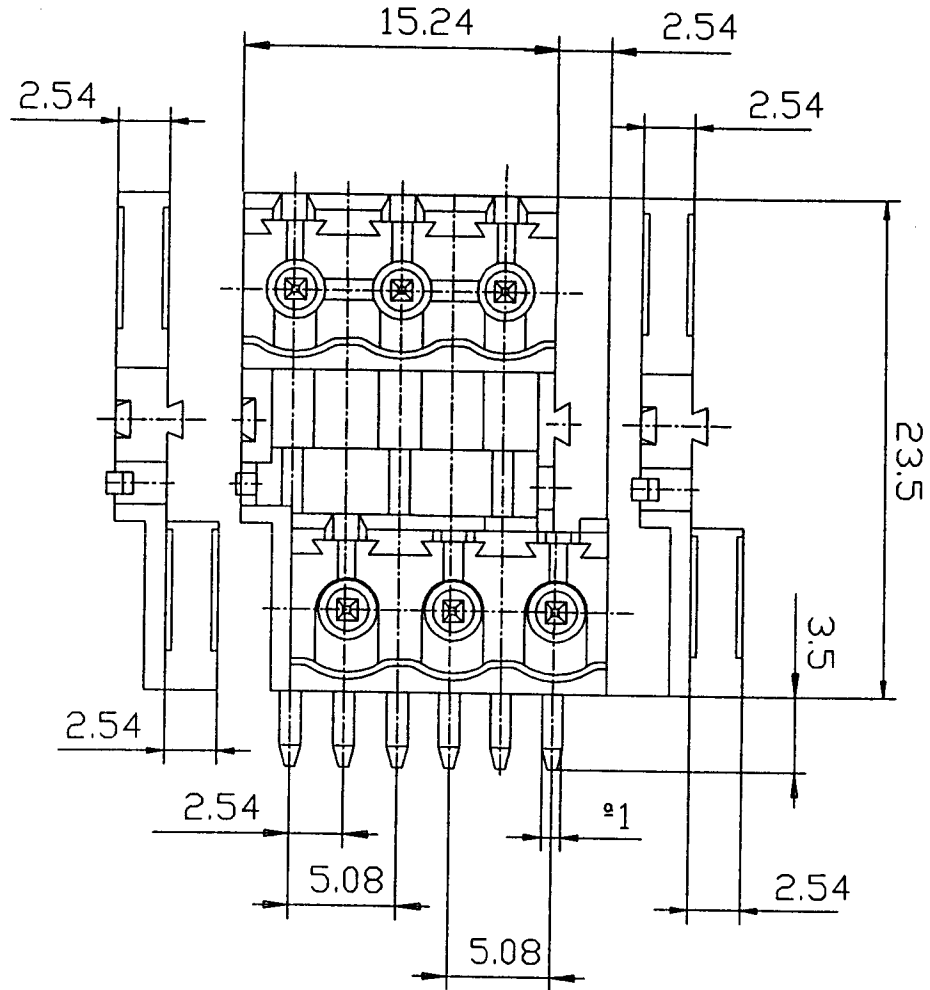


Ratings:
 Current 15A
 Voltage 300 V
 Test Voltage / Dirt Level 4.0 kV / 3

Dimensions:
 Spacing 5.08mm
 PCB Hole Diameter 1.4mm

Materials:
 Insulating Material PA
 Flammability UL94V-0
 Temperature -30°C/+105°C
 Contact Pin Cu
 Color Green



Part Number
EDSTLZ970(5)/[*][*]-SW
 * - NUMBER OF POSITIONS

Units
 mm

Drawing

Reviewed

Approved

Date

3/10/99

Sheet 1 of 1

Rev. A