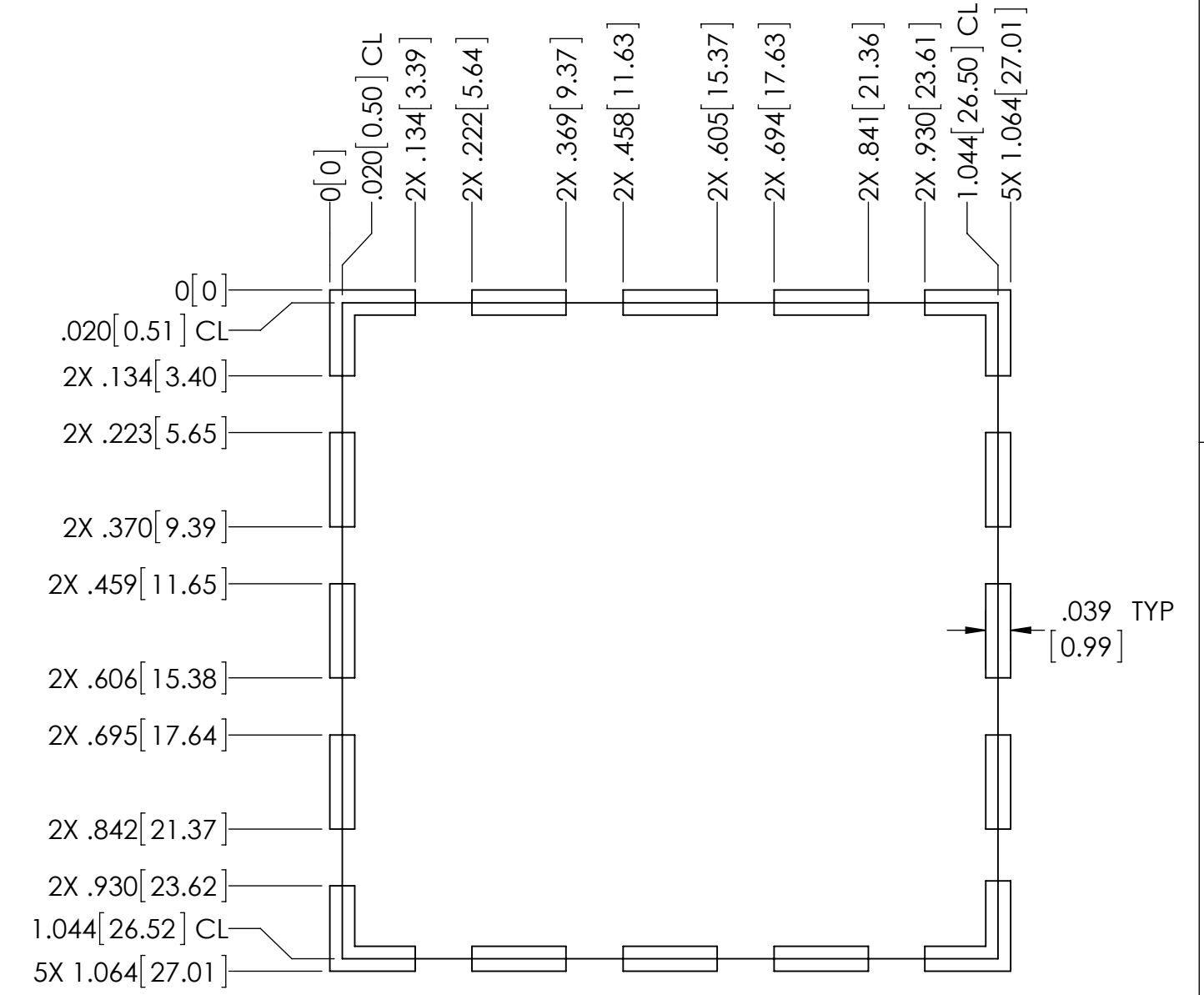
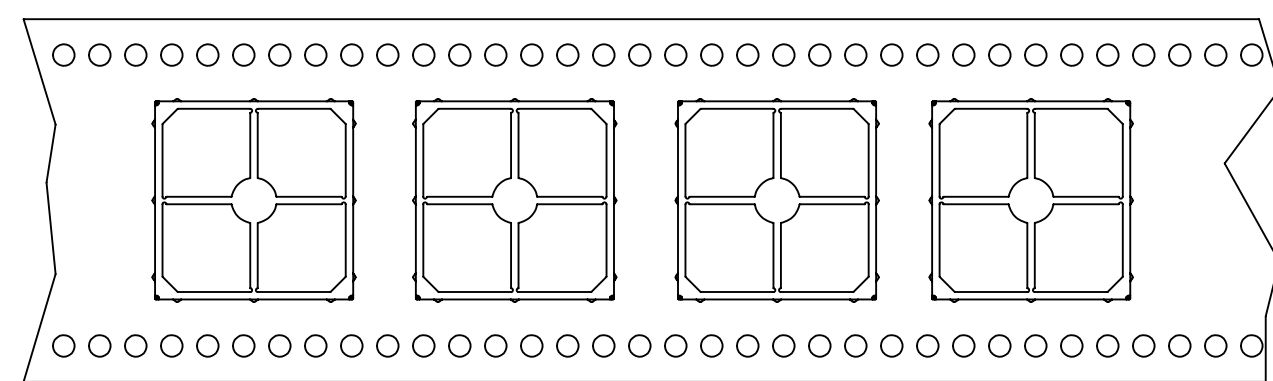
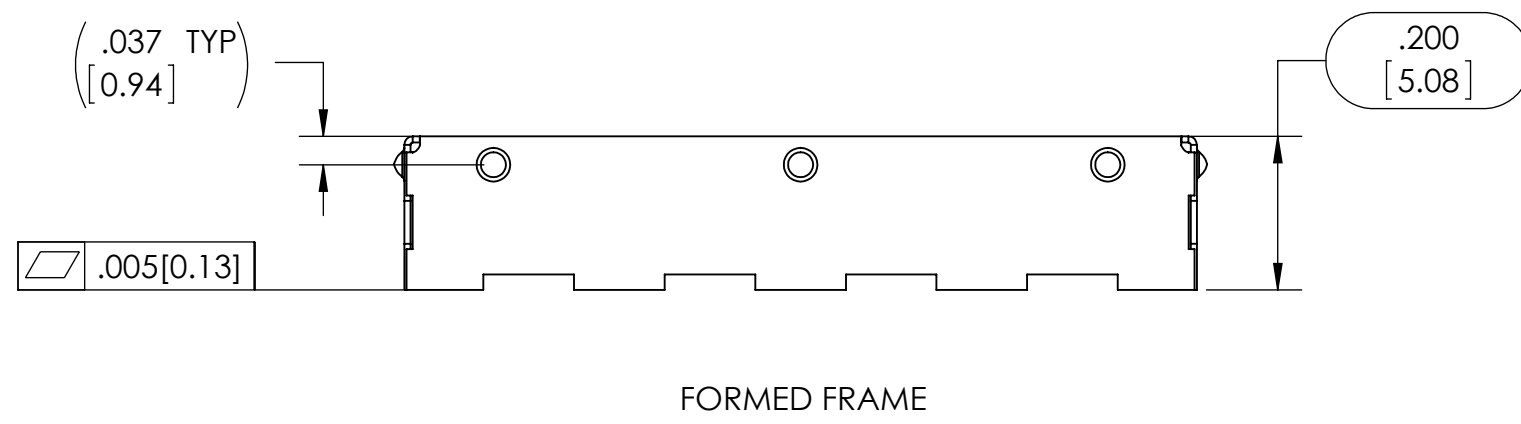
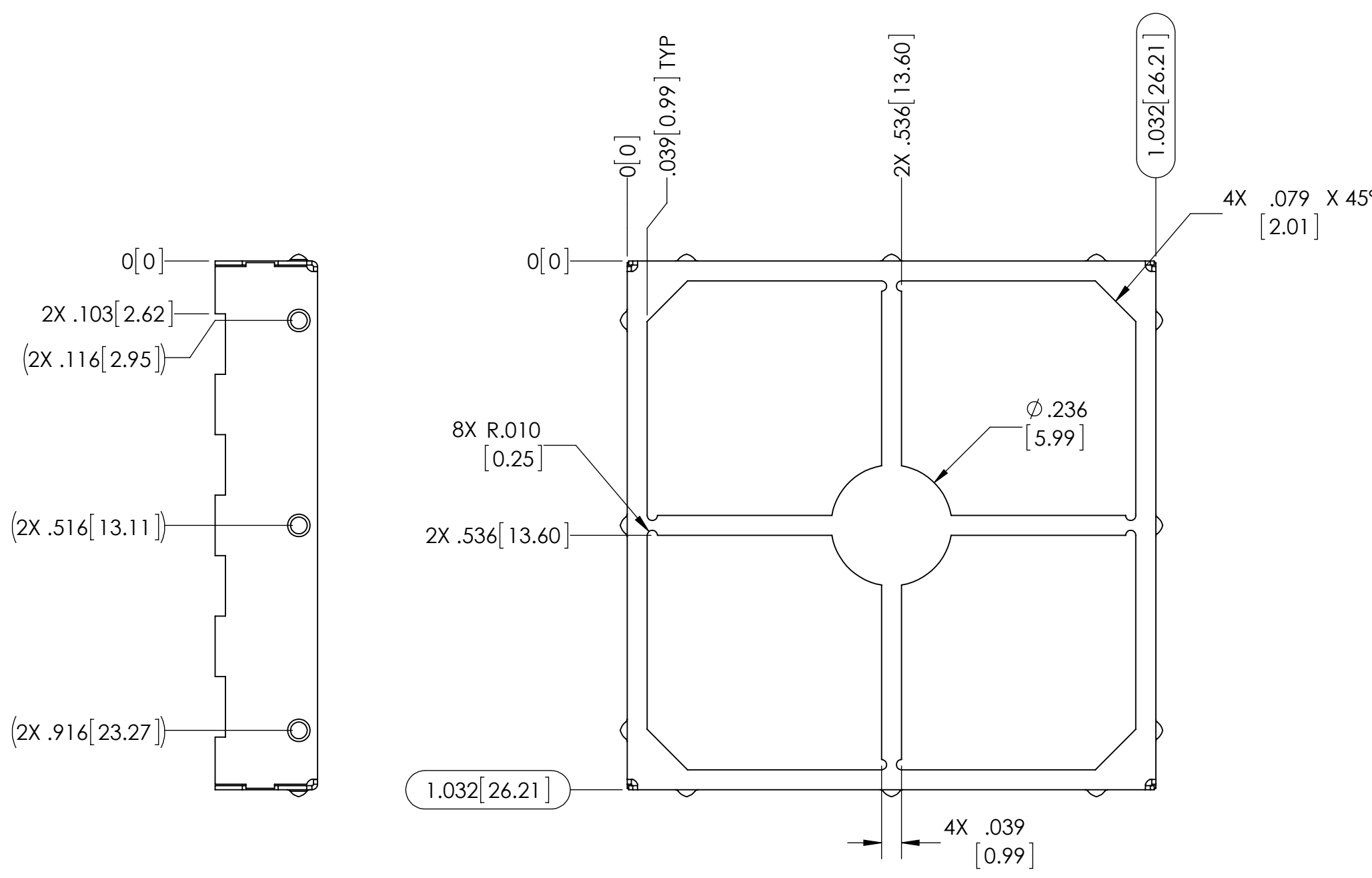
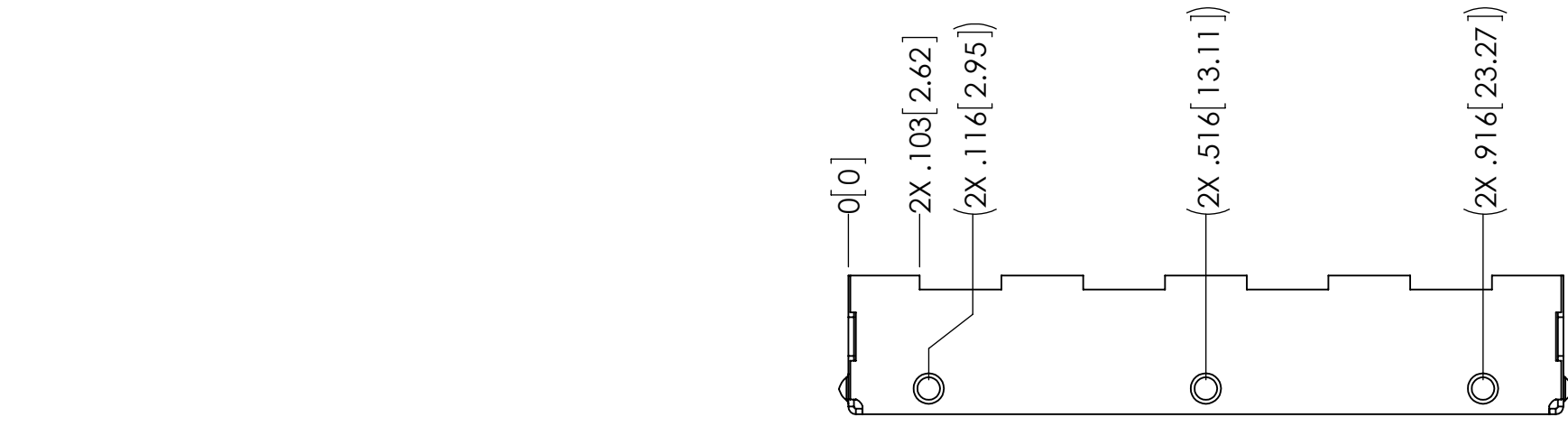
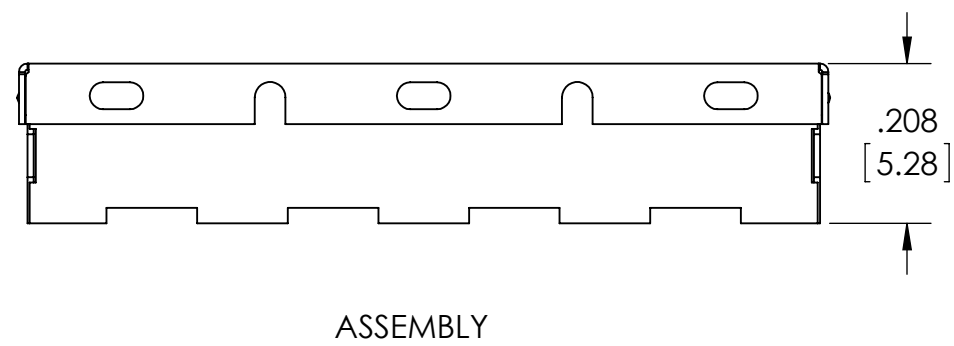
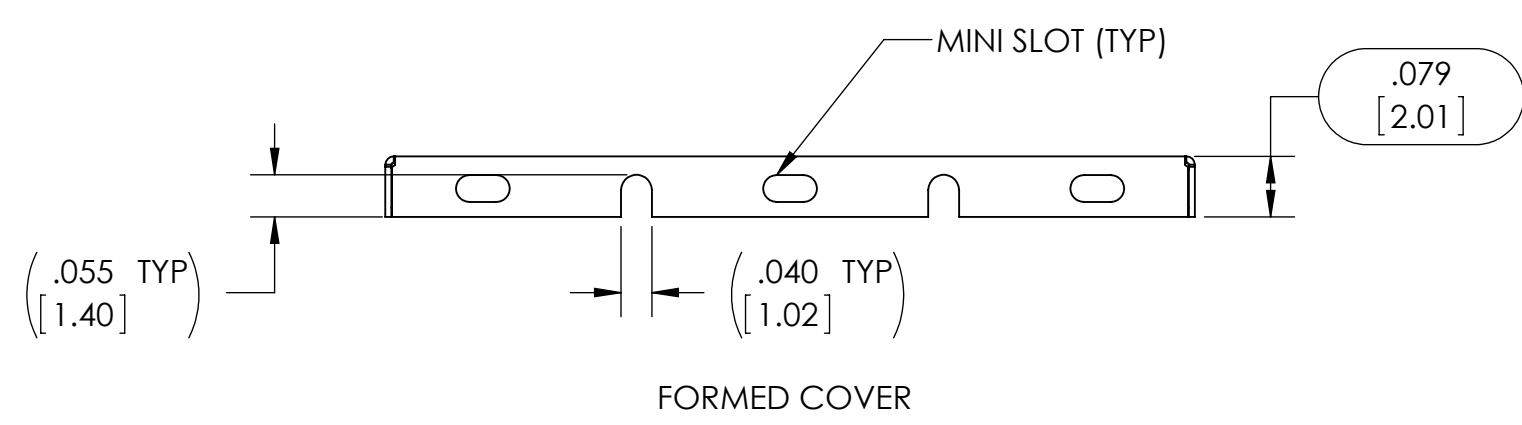
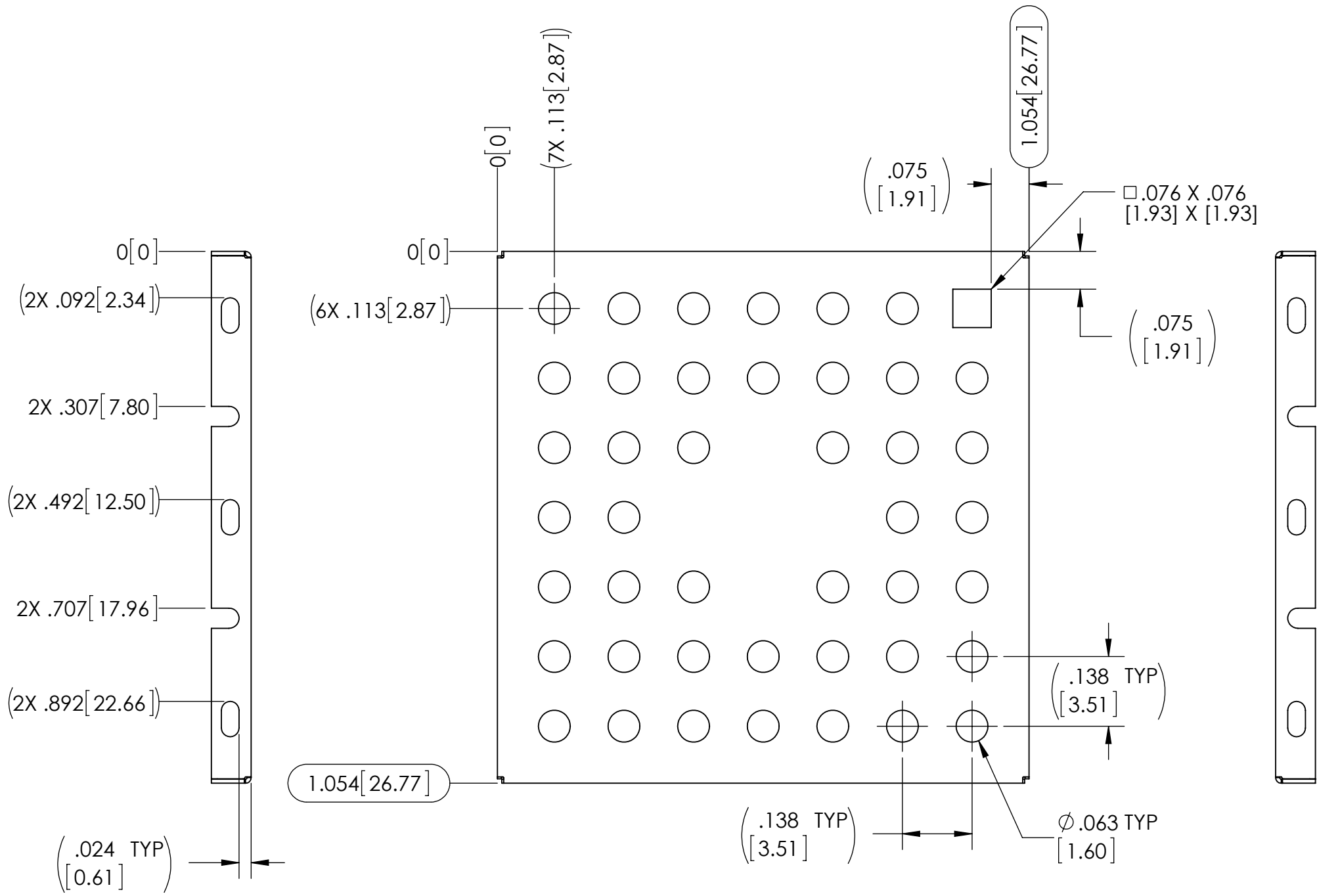
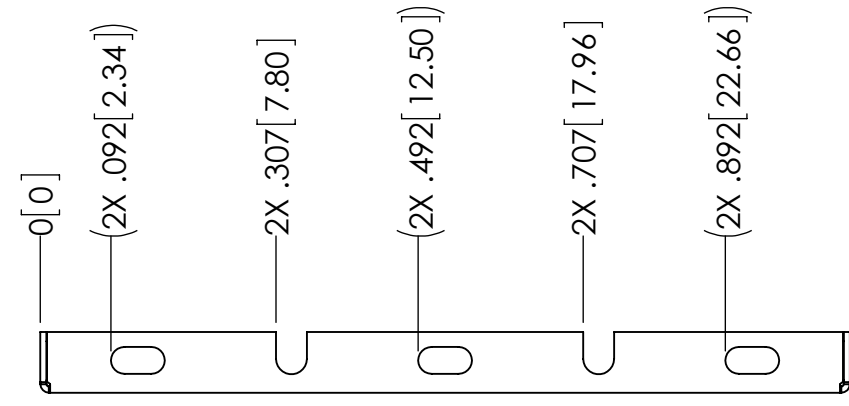
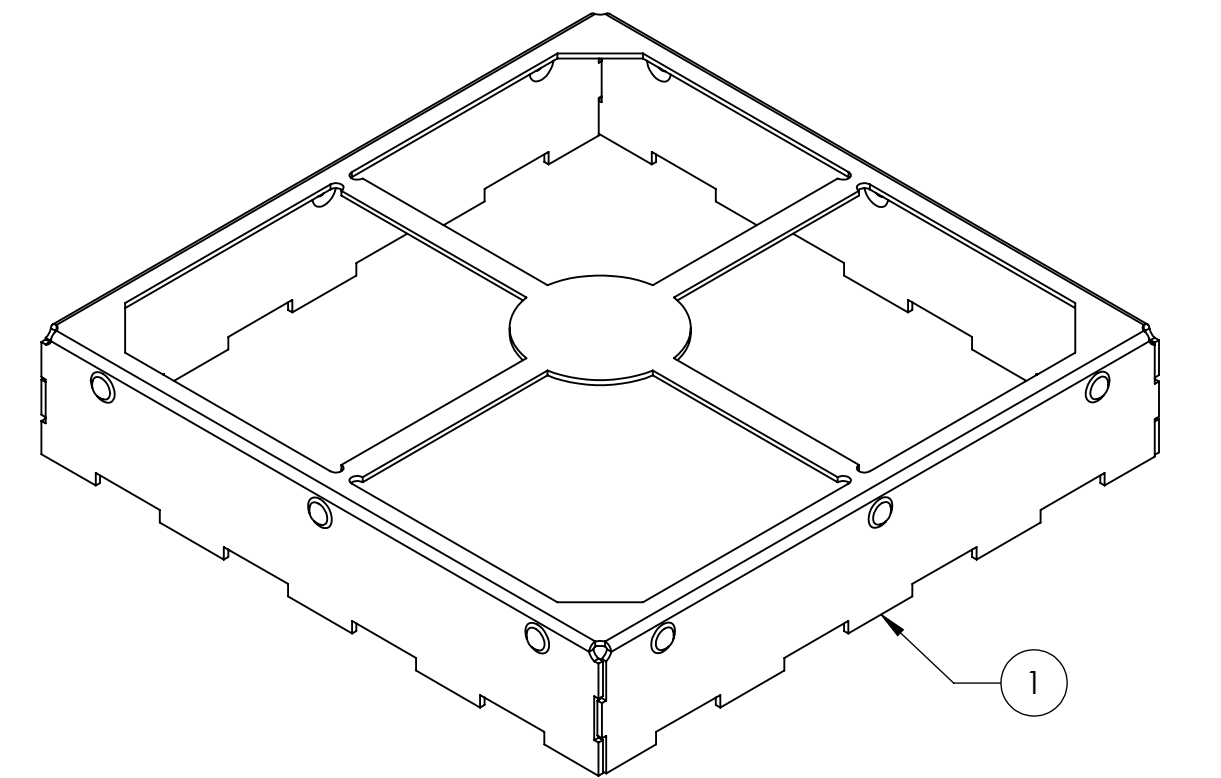
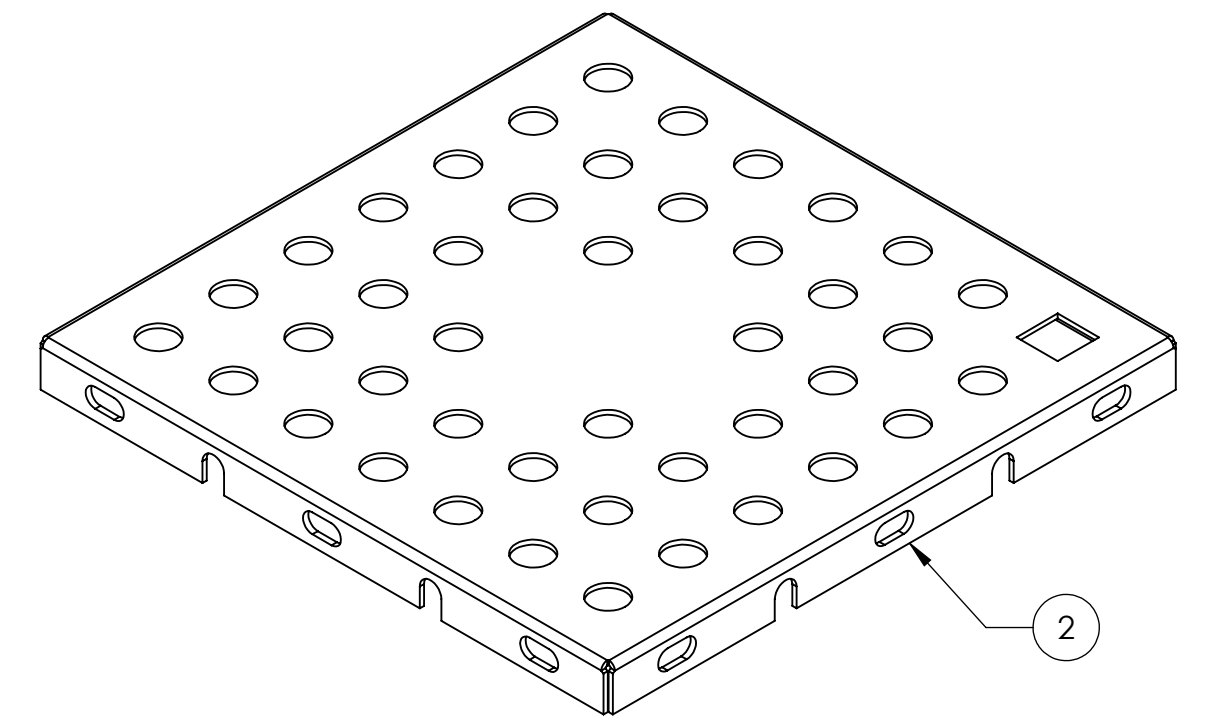


- NOTES:
- PART SHALL BE FREE OF BURRS AND SHARP EDGES
  - ASSURE ASSEMBLY CAPABILITY BY MATCHING WITH MATING PART
  - DIMENSIONS IN [ ] ARE IN MILLIMETERS



TRACE PATTERN



CARRIER TAPE SPECIFICATIONS						
PART NUMBER	DESCRIPTION	OVERALL DIMENSION	OVERALL HEIGHT	CARRIER TAPE WIDTH	CARRIER TAPE PITCH	PARTS PER REEL
SMS-203-M F	FRAME	1.032 X 1.032 [26.21 X 26.21]	.200 [5.08]	44mm	32mm	300
SMS-203-M C	COVER	1.054 X 1.054 [26.77 X 26.77]	.079 [2.01]	N/A	N/A	BULK PACK

THIS DOCUMENT CONTAINS PROPRIETARY INFORMATION OWNED BY LEADTECH OR DEVELOPED AT ITS OWN PRIVATE EXPENSE AND MAY NOT BE USED, DUPLICATED OR DISCLOSED IN WHOLE OR IN PART FOR ANY PURPOSE INCLUDING DESIGN, MANUFACTURE OR PROCUREMENT WITHOUT THE WRITTEN PERMISSION OF LEADTECH. LEADTECH DOES NOT GUARANTEE OR WARRANT THE PERFORMANCE CHARACTERISTICS.

ITEM NO.	PART NUMBER	DESCRIPTION	QTY.
1	SMS-203-M F	FRAME	1
2	SMS-203-M C	COVER	1

UNLESS OTHERWISE SPECIFIED: - ALL DIMENSIONS ARE IN INCHES - PART SHALL BE FREE OF BURRS AND SHARP EDGES - ALL DIMENSIONS SHOWN APPLY BEFORE PLATING AND COATINGS - ROHS COMPLIANT PER EU DIRECTIVE 2002/95/EC - POI = POINT OF INTERSECTION		THIRD ANGLE PROJECTION		 LEADER TECH a HEICO company The Leading Edge in PAF Housing Technology
TITLE: SURFACE MOUNT SHIELD		SCALE: 4:1		
DRAWN BY: RS	DRAWN DATE: 2012-10-10	APPROVED BY: TS	APPROVAL DATE: 2012-10-10	REV: B
MATERIAL: .008" [0.20] - PRE TIN STEEL	FRIG:	SIZE: D	DWG. NO.: SMS-203-M	SHEET: 1 OF 1