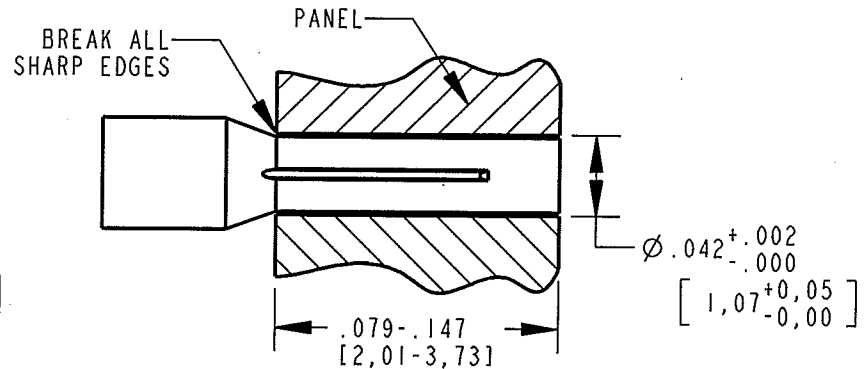
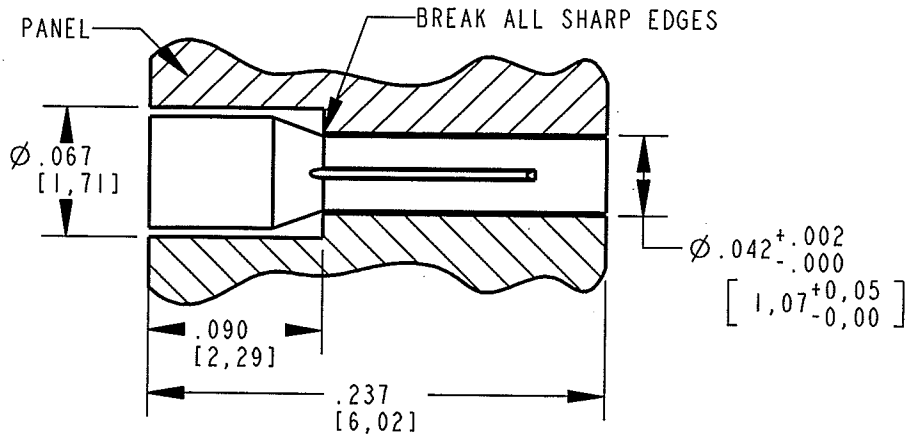
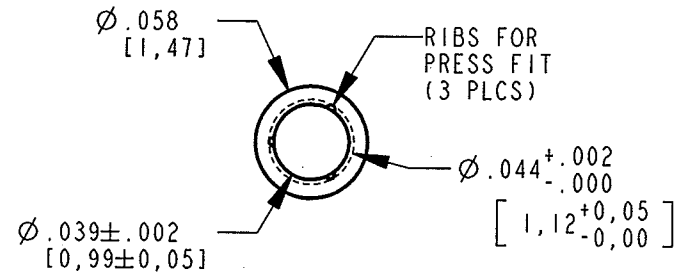
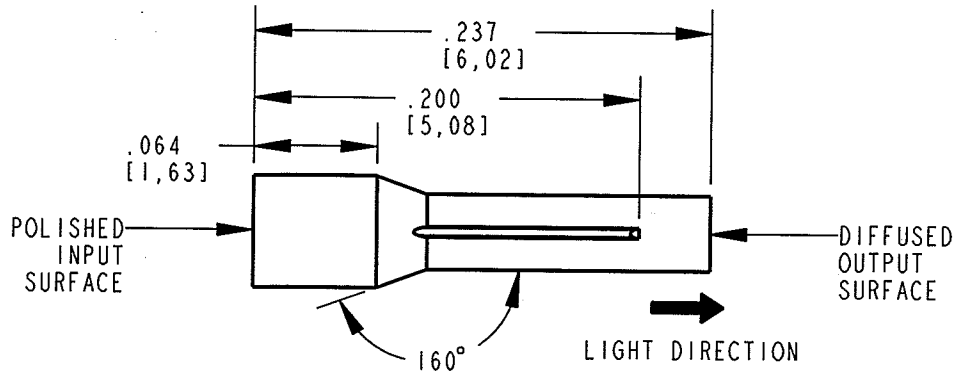


# RoHS COMPLIANT 515-1003F

Part Numbers with the "F" suffix ending are RoHS Compliant.  
Packaging is marked with "RoHS Compliant" label or equivalent markings.

REV	ECN NO	REVISIONS	DRN	CKD	APP	DATE
A	—	NEW RELEASE	KLJ	7.8.	1/10	12-1-08



## RECOMMENDED MOUNTING METHODS

### NOTES:

1. COMPONENTS MOLDED IN A CLEAR TRANSMISSIVE POLYCARBONATE (UL 94V-0 FLAMMABILITY).
2. COMPONENTS DESIGNED TO BE PRESSED INTO PANEL.
3. STORAGE AND OPERATING TEMPERATURE: -30°C TO 100°C
4. DIALIGHT PART NUMBER: 515-1003F

THIS DRAWING AND THE CONTENTS HEREIN ARE CONFIDENTIAL AND THE SOLE PROPERTY OF DIALIGHT. REPRODUCTION OF THIS DRAWING OR CONSTRUCTION OF ANY PARTS WITHIN THIS DRAWING ARE FORBIDDEN WITHOUT THE WRITTEN CONSENT OF DIALIGHT.

SCALE: 10.000	DRAWING NUMBER	REV
ALL DIM'S IN: INCHES (MM)	C-17685	A
TOLERANCES: UNLESS OTHERWISE SPECIFIED	TITLE $\phi .040$ SINGLE ELEMENT LIGHTPIPE RoHS COMPLIANT	
FRACTIONS: $\pm 1/64$ DECIMALS (.XX): $\pm .01$ DECIMALS (.XXX): $\pm .005$	MATERIAL SEE NOTES	
ANGLES: $\pm 3^\circ$	Dialight 1501 ROUTE 34 SOUTH FARMINGDALE, NJ 07727	
FINISH:	SHEET 1 OF 1 FAMILY TABLE:	
FSCM 83330		