

**MICRO SWITCH**  
a Honeywell Division

FED MFG. CODE 91929

**ACTUATOR-SWITCH**

CATALOG LISTING

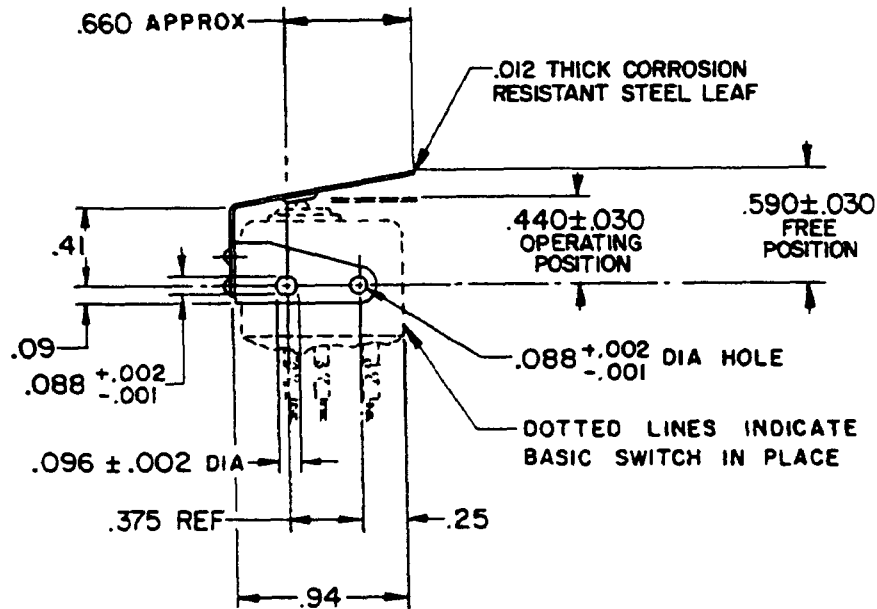
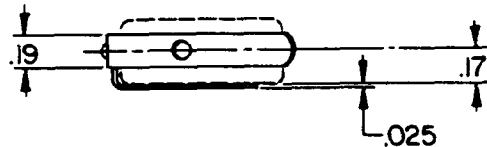
**JE-73**

CATALOG LISTING  
**JE-73**  
PAGE 1 OF 1  
RELEASE NO PR-5024

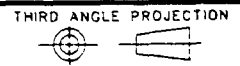
ISSUE  
**M**  
6

REVISIONS	
A	OBS C069507
	DAW 21 FEB 91
B	RE-IN PR21936
	JJA 5 JAN 96
C	204294
	CSL 2 NOV 01

CHECK  
CHECK  
CHECK  
8 JAN 96  
CHECK  
JAN 96  
CHECK  
JAN 96



THIS DRAWING COVERS A PROPRIETARY ITEM AND IS THE PROPERTY OF MICRO SWITCH A DIVISION OF HONEYWELL THIS DRAWING IS NOT TO BE COPIED OR USED WITHOUT THE APPROVAL OF MICRO SWITCH



CHARACTERISTICS	ELECTRICAL DATA	SCALE FULL	DO NOT SCALE PRINT
OPERATING FORCE ----- 12 OZ MAX	CONTACT ARRANGEMENT	UNLESS OTHERWISE SPECIFIED TOLERANCES ARE	
RELEASE FORCE ----- 2 OZ MIN		ONE PLACE ( 0 )	± .030
DIFFERENTIAL TRAVEL --- .025 MAX		TWO PLACE ( 00 )	± .015
OVERTRAVEL ----- .015 MIN		THREE PLACE ( 000 )	± .005
		ANGLES	±
		WEIGHT	

RASTER  
DRAWN

JJA 5 JAN 96

# MICRO SWITCH

a Honeywell Division

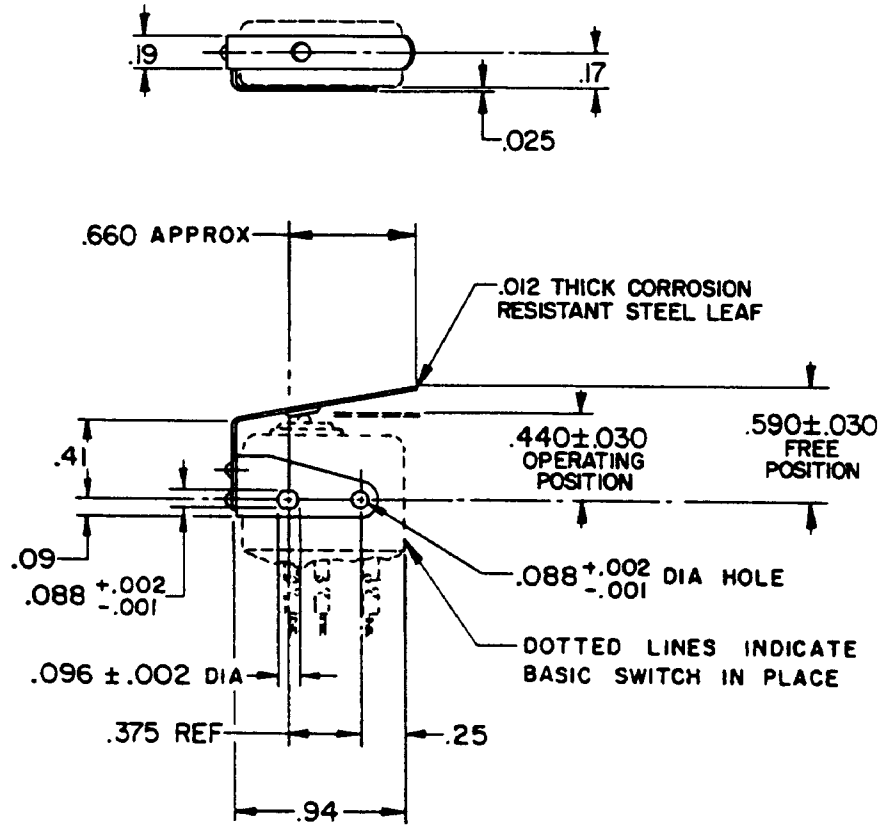
FED MFG. CODE 91929

# ACTUATOR-SWITCH

CATALOG LISTING

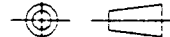
JE-73

CATALOG LISTING  
 JE-73  
 PAGE 1 OF 1  
 RELEASE NO PR-5024  
 REPLACES  
 ISSUE  
**M**  
 5  
 CHECK  
 REVISIONS  
 A OBS  
 C069507  
 DAW  
 21 FEB 91  
 B PRE-IN  
 PR21936  
 J J A  
 5 JAN 96  
 CHECK  
 8 JAN 96  
 TSM  
 CHECK  
 5 JAN 96  
 DRAWN  
 J J A



THIS DRAWING COVERS A PROPRIETARY ITEM AND IS THE PROPERTY OF MICRO SWITCH A DIVISION OF HONEYWELL THIS DRAWING IS NOT TO BE COPIED OR USED WITHOUT THE APPROVAL OF MICRO SWITCH

THIRD ANGLE PROJECTION



### CHARACTERISTICS

OPERATING FORCE ----- 12 OZ MAX  
 RELEASE FORCE ----- **2 OZ MIN**  
 DIFFERENTIAL TRAVEL ----- .025 MAX  
 OVERTRAVEL ----- .015 MIN

### ELECTRICAL DATA

CONTACT ARRANGEMENT

SCALE FULL

DO NOT SCALE PRINT

**UNLESS OTHERWISE SPECIFIED TOLERANCES ARE**

ONE PLACE ( 0 ) ± .030

TWO PLACE ( 00 ) ± .015

THREE PLACE ( 000 ) ± .005

ANGLES ±

WEIGHT