

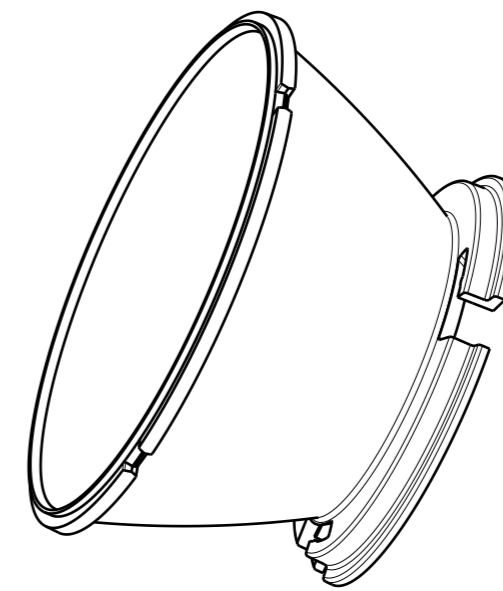
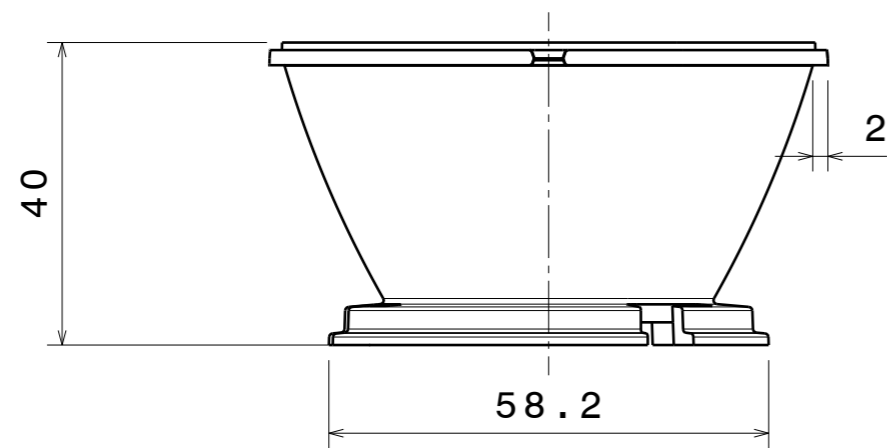
This drawing applies to:

C12597\_LENINA-S

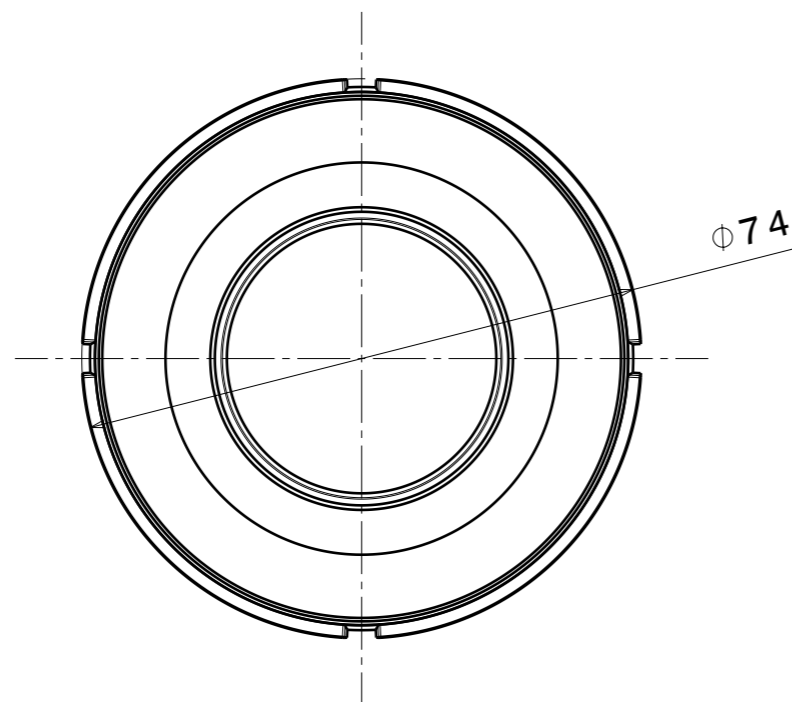
C12598\_LENINA-M

C12599\_LENINA-W

C12958\_LENINA-XW



Isometric view



| INDEX | PART NO          | DESCRIPTION |
|-------|------------------|-------------|
| 1     | Lenina-reflector | PC          |

Tolerances if not otherwise shown  
 According to DIN ISO 2768-1  
 Linear measures:  
 Up to 30mm class M, otherwise class C.  
 According to DIN ISO 2768-2  
 Form and position: class L



Ledil Oy  
 Salorankatu 10  
 FIN 24240 SALO  
 Finland

THIRD ANGLE PROJECTION:

DRAWING TITLE  
**LENINA\_datasheet**

This drawing is the property of LEDiL Oy. It may not be reproduced, copied or communicated without a written agreement with LEDiL Oy."

|      |             |  |
|------|-------------|--|
| SIZE | PART NUMBER |  |
| A3   | -           |  |

|       |     |        |   |       |     |
|-------|-----|--------|---|-------|-----|
| SCALE | 1:1 | WEIGHT | - | SHEET | 1/1 |
|-------|-----|--------|---|-------|-----|