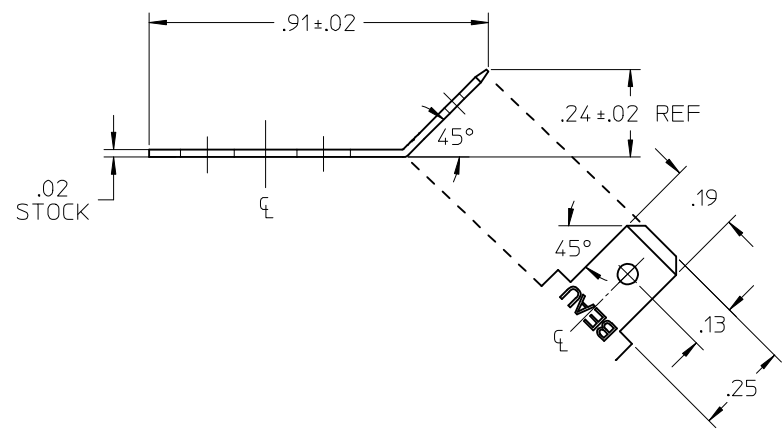
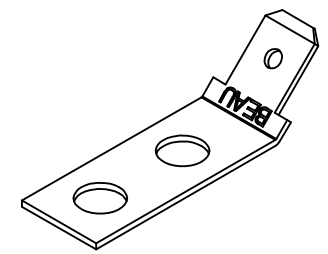
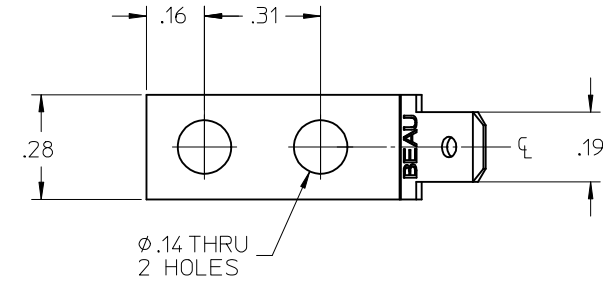


10	9	8	7	6	5	4	3	2	1
MATERIAL NO.	ENGINEERING NO.	DESCRIPTION	MATERIAL	FINISH					
380020225	1414	TERMINAL, FAST-TAB, SL	BRASS	TIN PLATE PER ES-4500					



RELEASE EC NO: ICG2016-0008 DRWN: SVMURTHY 2015/07/01 CHKD: RSTONE 2015/07/01 APPR: JFMURPHY 2016/07/11	QUALITY SYMBOLS $\nabla F=0$ $\nabla E=0$ $\nabla D=0$	GENERAL TOLERANCES (UNLESS SPECIFIED)		DIMENSION STYLE INCH ONLY		SCALE 3:1	DESIGN UNITS INCH	THIRD ANGLE PROJECTION		
		4 PLACES ± --- ± ---	mm INCH	DRAWN BY SVMURTHY	DATE 2015/07/01	TITLE TERMINAL, FAST-TAB, SL				
		3 PLACES ± --- ± .005		CHECKED BY RSTONE	DATE 2015/07/01					
		2 PLACES ± 0.13 ± .01		APPROVED BY JFMURPHY	DATE 2016/07/11	MATERIAL NO. SEE CHART		DOCUMENT NO. SD-38002-0225	SHEET NO. 1 OF 1	
1 PLACE ± 0.3 ± ---		ANGULAR ± 2 °			THIS DRAWING CONTAINS INFORMATION THAT IS PROPRIETARY TO MOLEX INCORPORATED AND SHOULD NOT BE USED WITHOUT WRITTEN PERMISSION					
0 PLACE ± --- ± ---		DRAFT WHERE APPLICABLE MUST REMAIN WITHIN DIMENSIONS								