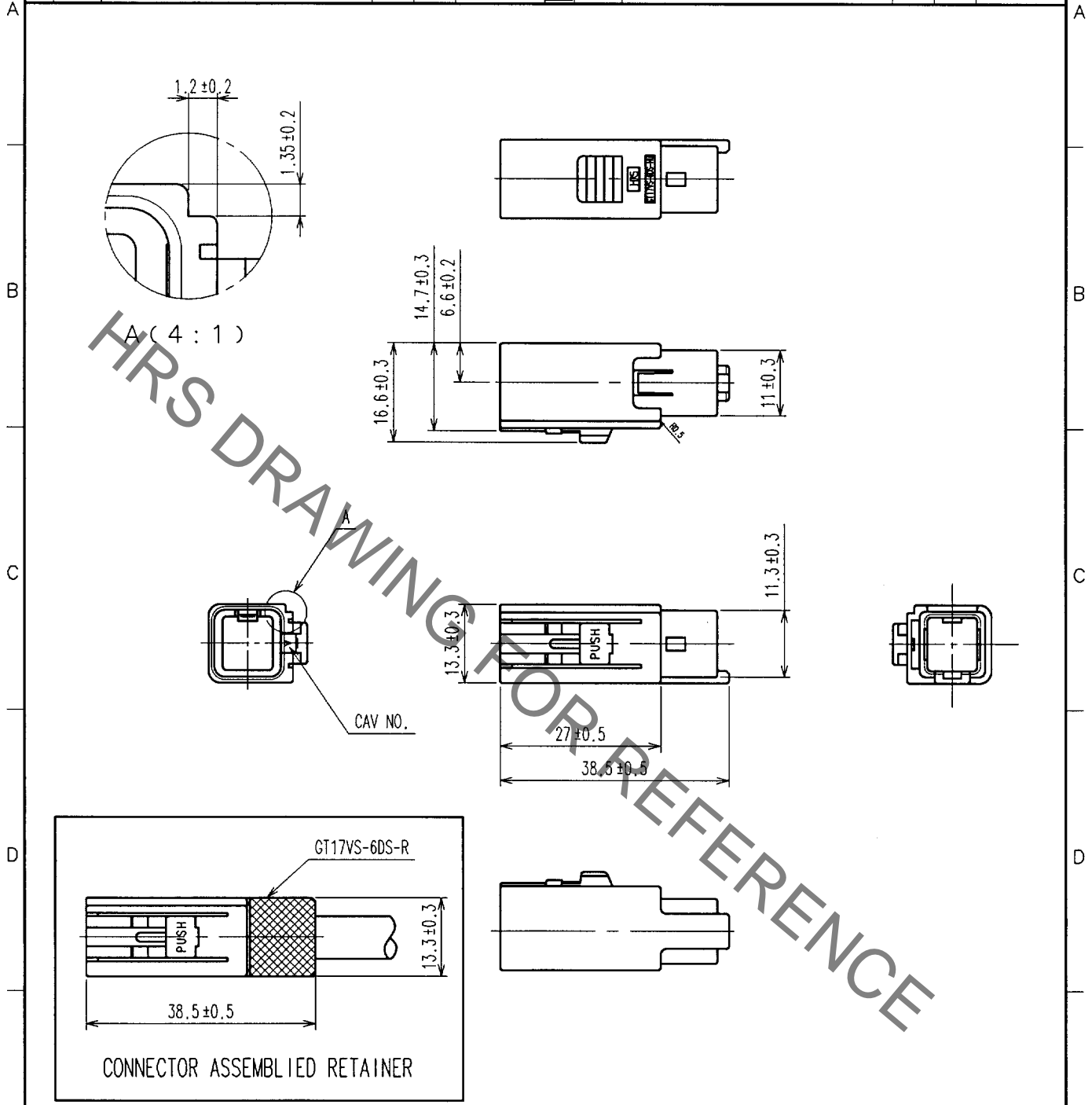


Aug.1.2022 Copyright 2022 HIROSE ELECTRIC CO., LTD. All Rights Reserved.
In case of consideration for using Automotive equipment / device which demand high reliability, kindly contact our sales window correspondents.

1		2			3			4		
COUNT	DESCRIPTION OF REVISIONS	BY	CHKD	DATE	COUNT	DESCRIPTION OF REVISIONS	BY	CHKD	DATE	
△					△					
△					△					
△					△					



NOTE1. THIS CONNECTOR SHALL BE USED THAT RETAINER (CL767-0053-2) WAS ASSEMBLED.
2. APPLICABLE CABLE DIA : ϕ 4.8 TO ϕ 5.2

1	PBT	LIGHT GRAY
NO.	MATERIAL	FINISH, REMARKS

CODE NO. (OLD)	DRAWN	DESIGNED	CHECKED	APPROVED	RELEASED
	N. HARUBAYASHI	N. HARUBAYASHI	K. Aoto	K. Aoto	
	04.10.21	04.10.21	04.10.22	04.10.22	

TO
AMC

 SACLE 1 : 1 UNITS mm	DRAWING NO.	PART NO.
	EDC4-165622	GT17VS-6DS-HU
 HIRS HIROSE ELECTRIC CO., LTD.	CODE NO.	1/1
	CL767-0051-7	