

REVISIONS			
REV	DESCRIPTION	DATE	APPROVED

PACKAGE DIMENSIONS (mm)

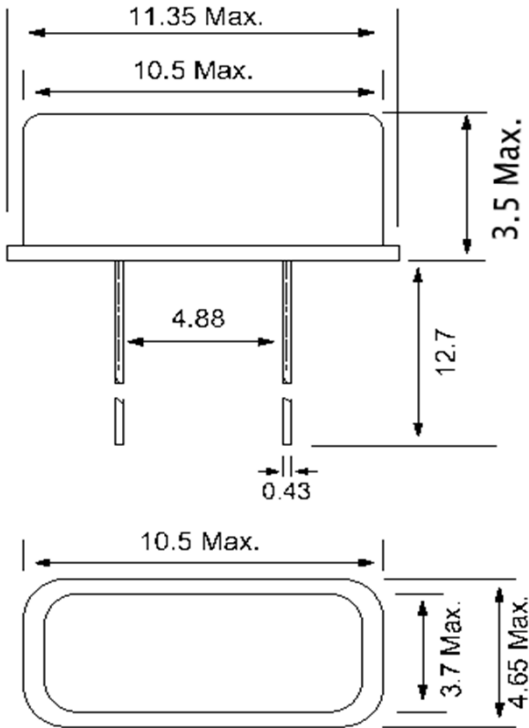


Figure 1) Side and Top Views

ELECTRICAL SPECIFICATIONS

Frequency: 4.9152 MHz
 Frequency Tolerance @ +25°C: ± 30 ppm Max.
 Frequency Stability -10 to +70°C: ± 50 ppm Max.
 Crystal Cut: AT Strip
 Load Capacitance (CL): 20 pF
 Recommended Drive Level: 500 µW Max.
 Effective Series Resistance: 150 Ω Max.
 Shunt Capacitance: 7 pF Max.
 Mode of Operation: Fundamental
 Aging: ± 5 ppm/year Max.
 Storage Temperature: -30 to +85°C
 Operating Temperature: -10 to +70°C
 Package Type: HC-49USX



ECS Part Number: ECS-049-CDX-0787

ECS INC. INTERNATIONAL 1105 S. Ridgeview Olathe, KS 66062 (913) 782-7787		
TITLE		4.91520 MHz Crystal, HC-49USX Pb Free/RoHS Compliant
SIZE A	DWG NO. ECS-049-CDX-0787	REV
CAGE CODE: 1G8B7		SHEET 1 OF 1

SIGNATURES	DATE
DRN BL	4/14/2006
CHK RC	4/14/2006
APP DK	4/14/2006
Dimensions in mm	