

THCV213 / THCV214 Evaluation Kit



V-by-One® Single Link Evaluation Board

Parts Number: THEVA213-V3, THEVA214-V3

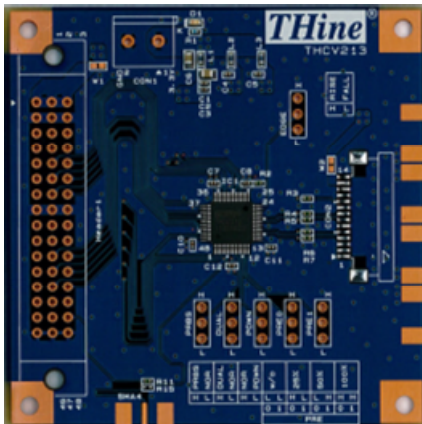
1. General Description

THEVA213-V3 and THEVA214-V3 boards are designed to support video data transmission between the host and display. One high-speed lane can carry up to 18bit data and 4bit of synchronizing signals at a pixel clock frequency from 5MHz to 40MHz.

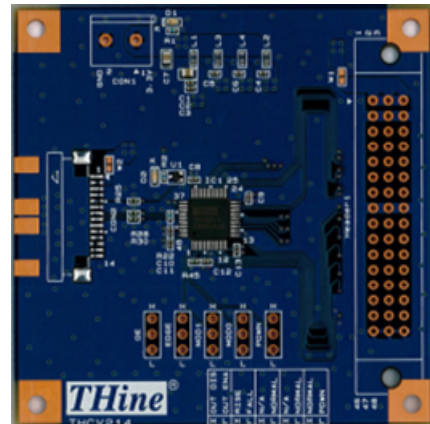
2. Features

- Transmit 18bit Data and 4bit Control Data via Single Differential Cable.
- Wide Frequency Range : 5MHz to 40MHz
- Support SYNC pattern and LOCK Indicator
- Pre-Emphasis Function
- Clock Edge Selectable
- Dual Display Mode
- Power Down Mode
- Low Power Single 3.3V CMOS Design
- AEC-Q100 ESD Protection

3. Overview

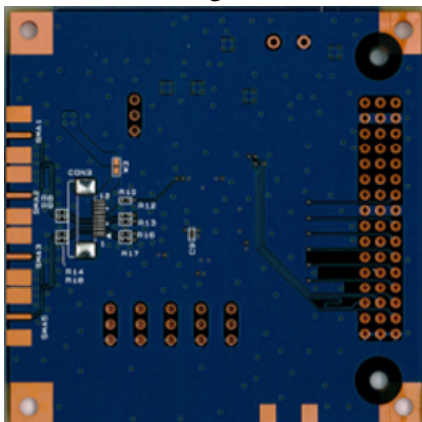


(a) THEVA213-V3

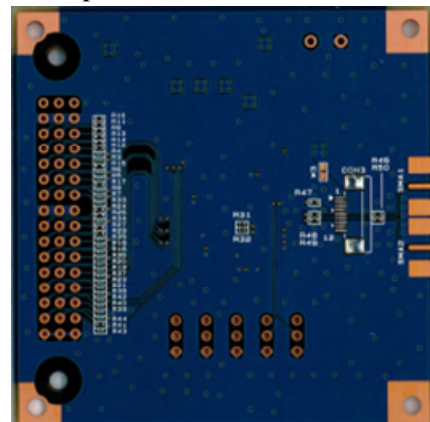


(b) THEVA214-V3

Figure 1 THEVA213-V3 and THEVA214-V3 Top Side View



(a) THEVA213-V3



(b) THEVA214-V3

Figure 2 THEVA213-V3 and THEVA214-V3 Bottom Side View

4. Power Supply Setup

This chapter shows power supply condition.

Caution: Please check if there is no power-GND short on below red trace before supplying any power.

3.3V Power Supply to Each Board

Each evaluation board requires 3.3V power supply. Please use “CON1” connector typically.

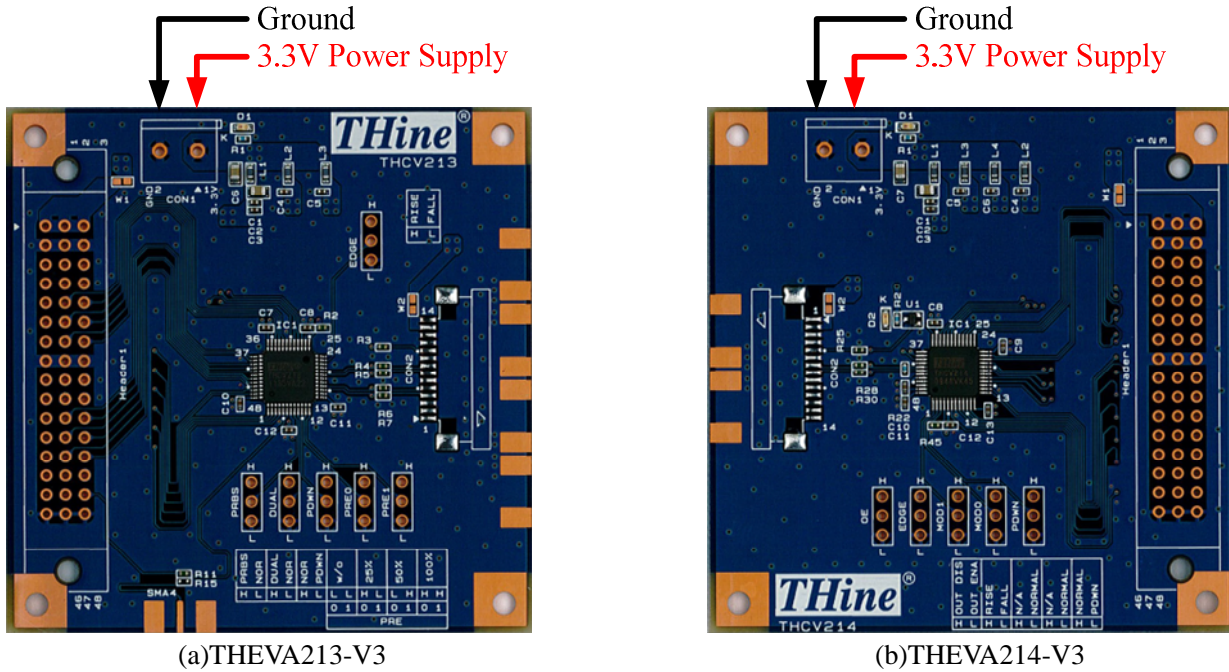


Figure 3 Power Supply for Evaluation Board

Power Supply from / to Connector

3.3V power supply can be connected to Header1 and CON2 by using W1, W2 and W3 solder jumper.

THEVA213-V3

W1: Connect the 3.3V power supply with pin#1, 2 and 3 of Header1.

W2: Connect the 3.3V power supply with pin#13 and 14 of CON2.

W3: Connect the 3.3V power supply with pin#11 and 12 of CON3.

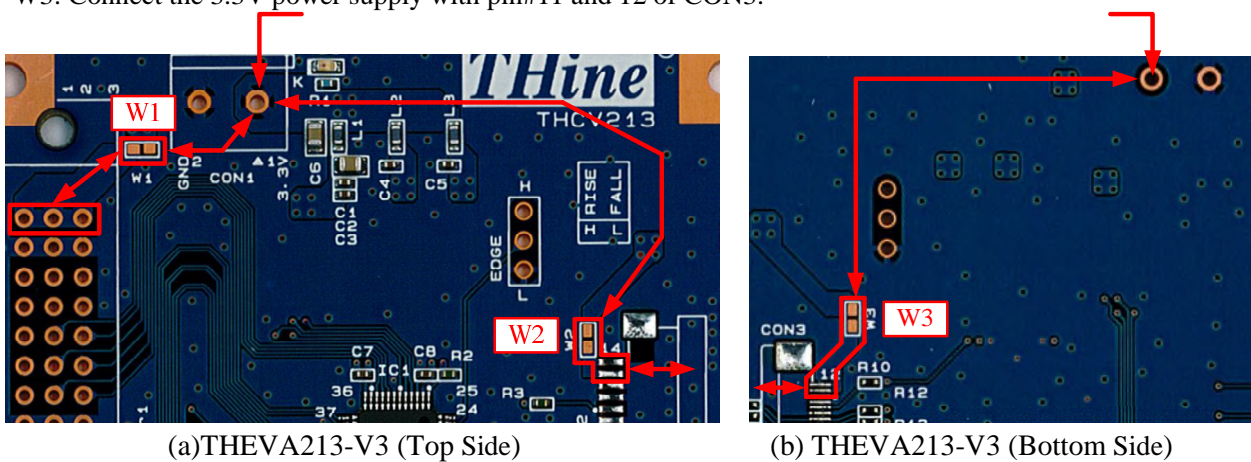


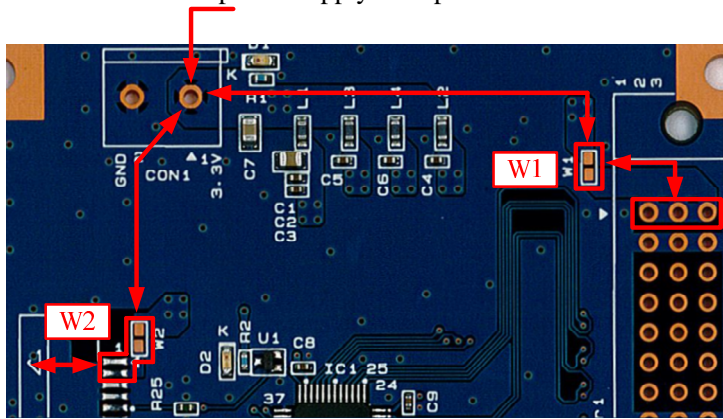
Figure 4 THEVA213-V3 Power Supply from / to Each Connector

THEVA214-V3

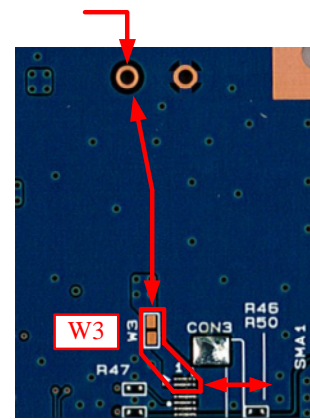
W1: Connect the 3.3V power supply with pin#1, 2 and 3 of Header1.

W2: Connect the 3.3V power supply with pin#1 and 2 of CON2.

W3: Connect the 3.3V power supply with pin#1 and 2 of CON3.



(a)THEVA214-V3 (Top Side)



(b) THEVA214-V3 (Bottom Side)

Figure 5 THEVA214-V3 Power Supply from / to Each Connector

5. V-by-One® Input / Output Connector Select

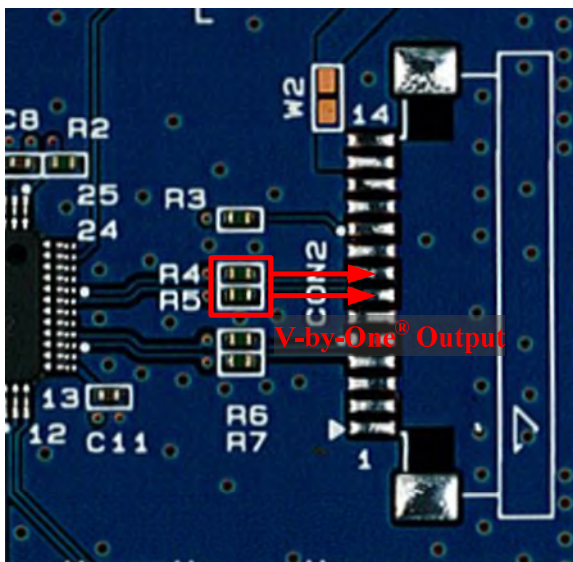
V-by-One® input / output connector can be selected by using 0ohm resistors.

(1) 1mm Pitch Connector (Default Setting)

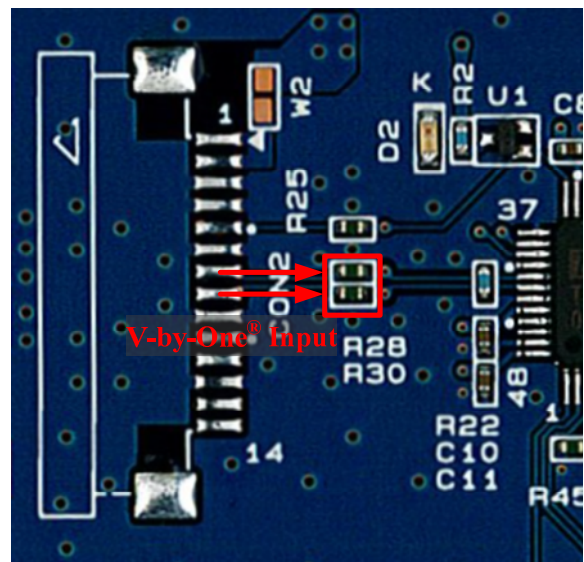
Please mount / unmount following 0ohm resistors to use 1mm pitch connector.

Table 1 Resistor Setting for 1mm Pitch Connector

	Mount	Unmount
THEVA213-V3	R4, R5	R12, R13
THEVA214-V3	R28, R30	R48, R49



(a)THEVA213-V3 (Top Side)



(b)THEVA214-V3 (Top Side)

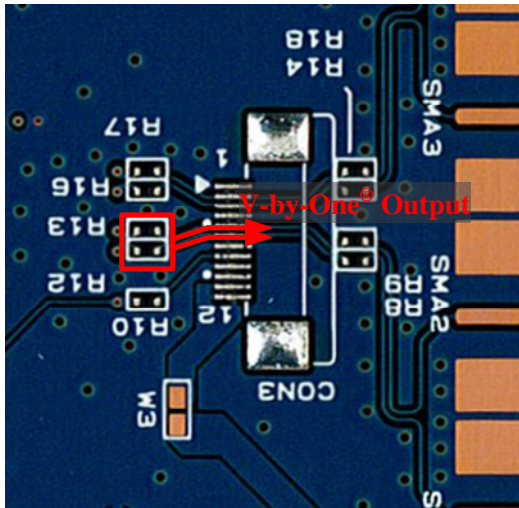
Figure 6 Resistor Mounting for 1mm Pitch Connector

(2) 0.5mm Pitch Connector

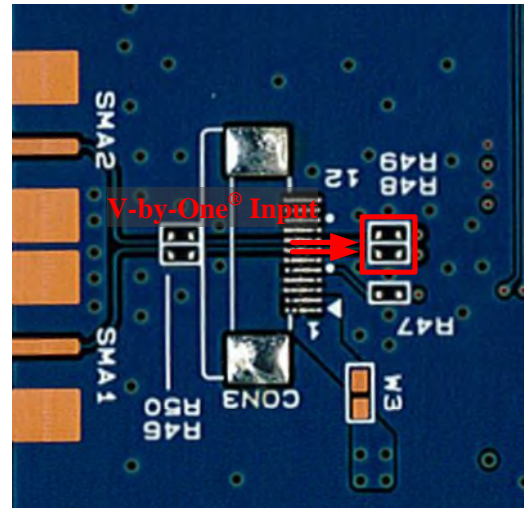
Please mount / unmount following 0ohm resistors to use 0.5mm pitch connector.

Table 2 Resistor Setting for 0.5mm Pitch Connector

	Mount	Unmount
THEVA213-V3	R12, R13	R4, R5, R8, R9
THEVA214-V3	R48, R49	R28, R30, R46, R50



(a)THEVA213-V3 (Bottom Side)



(b)THEVA214-V3 (Bottom Side)

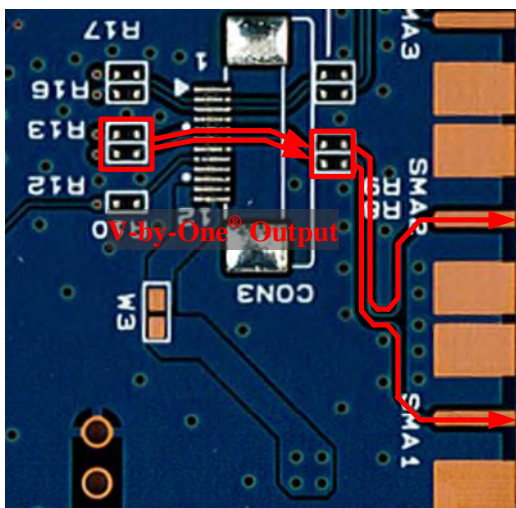
Figure 7 Resistor Mounting for 0.5mm Pitch Connector

(3) SMA Connector

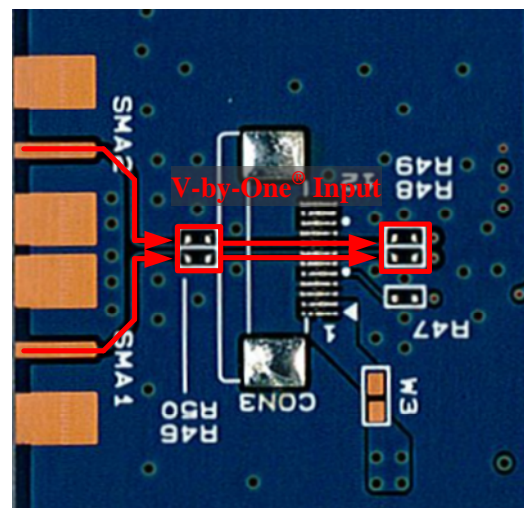
Please mount / unmount following 0ohm resistors to use SMA connector.

Table 3 Resistor Setting for SMA Connector

	Mount	Unmount
THEVA213-V3	R13, R14, R16, R17	R7, R8, R9, R10
THEVA214-V3	R44, R46, R47, R48	R12, R15, R20, R23



(a)THEVA213-V3 (Bottom Side)



(b)THEVA214-V3 (Bottom Side)

Figure 8 Resistor Mounting for SMA Connector

6. Function Setting

Setting pin of each board is shown in yellow area of Figure 9. Pin#2 of each 3HEADER is connected to IC's setting pin.

Each setting pin's high or low setting can set by connecting pin#2 of 3HEADER and high level or low level.

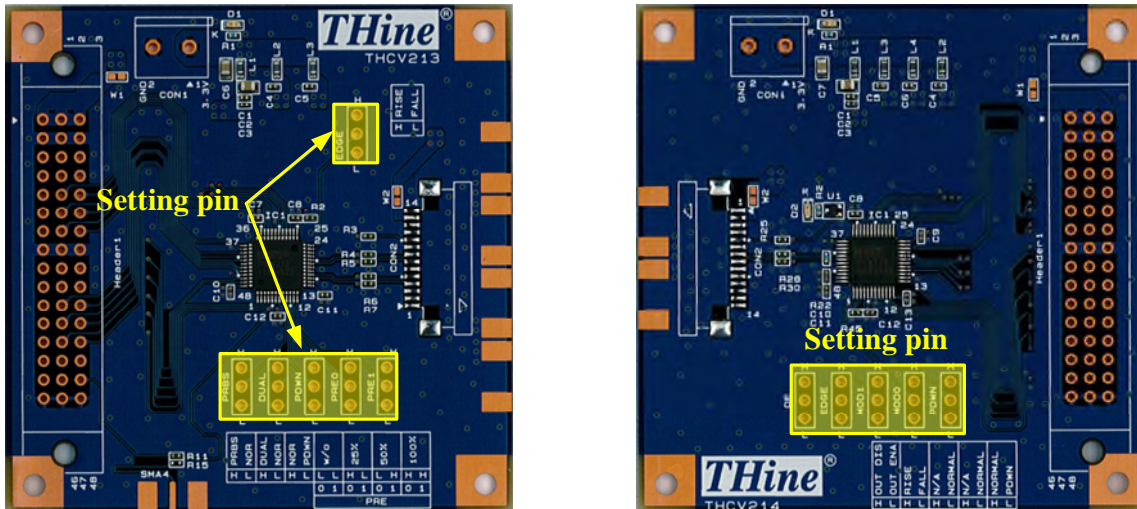
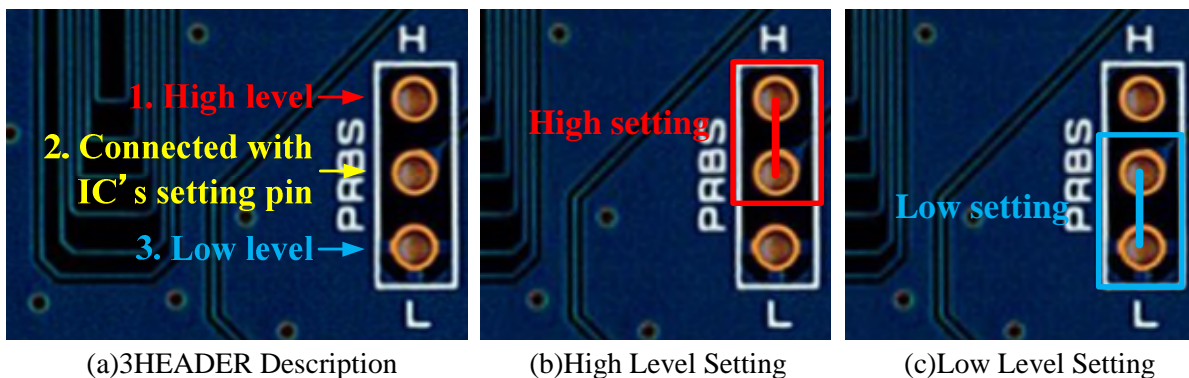


Figure 9 Position of Function Setting Pin



(a)3HEADER Description

(b)High Level Setting

(c)Low Level Setting

Figure 10 High / Low Setting Description

7. Clock Input from SMA Connector

THEVA213-V3 can also choose the TTL clock input from SMA connector by using 0ohm resistor. If you want to use SMA connector for clock input, please change the 0ohm resistor mount from R15 to R18.

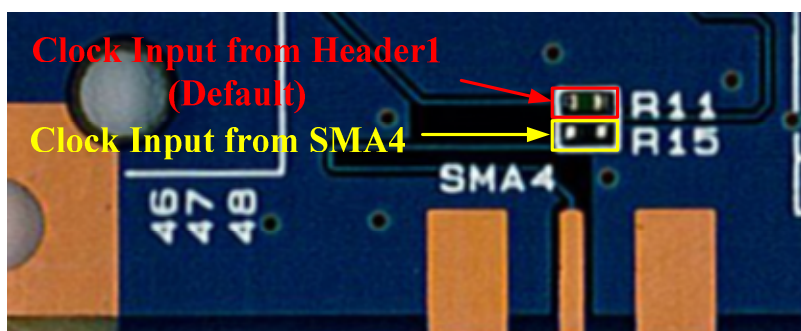


Figure 11 TTL Clock Input Connector Select

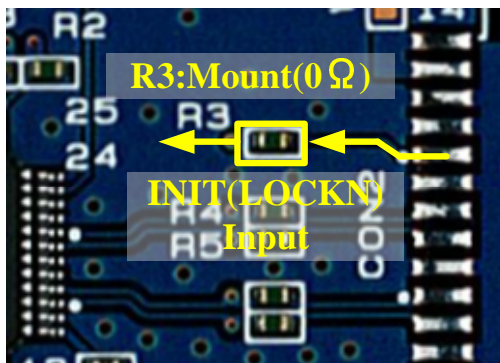
8. Shake Hand Mode

When you use this evaluation kit in “Shake Hand Mode”, Please mount following resistors to connect LOCKN signal between transmitter and receiver.

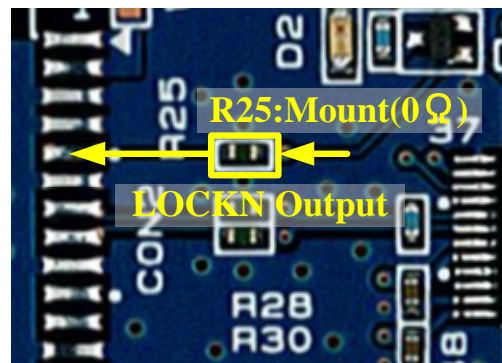
*LOCKN signals doesn't have the connection from / to SMA connector.

Table 4 Resistor Setting for Shake Hand Mode

Connector	Eva Board	Mount
1mm Pitch Connector Using Case	THEVA213-V3	R3
	THEVA214-V3	R25
0.5mm Pitch Connector Using Case	THEVA213-V3	R10
	THEVA214-V3	R47

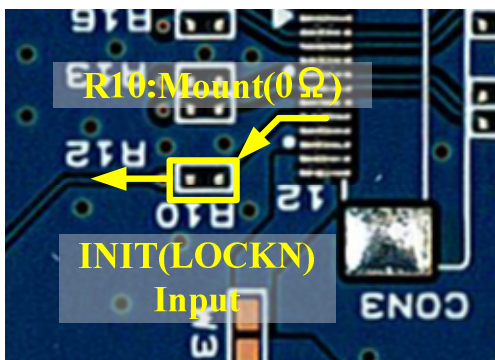


(a)THEVA213-V3 (Top Side)

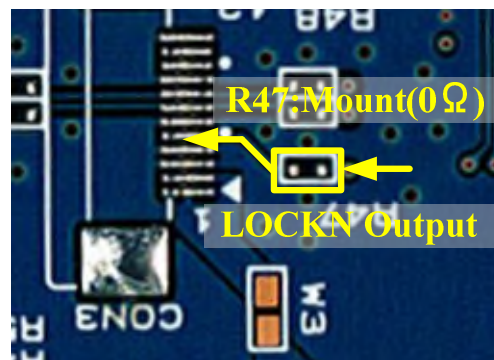


(b)THEVA214-V3 (Top Side)

Figure 12 LOCKN Connection (1mm Pitch Connector)



(a) THEVA213-V3 (Bottom Side)



(b) THEVA214-V3 (Bottom Side)

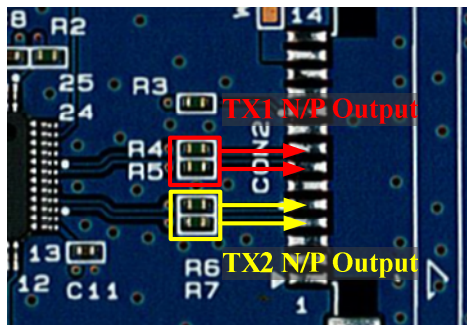
Figure 13 LOCKN Connection (0.5mm Pitch Connector)

9. Dual Display Mode

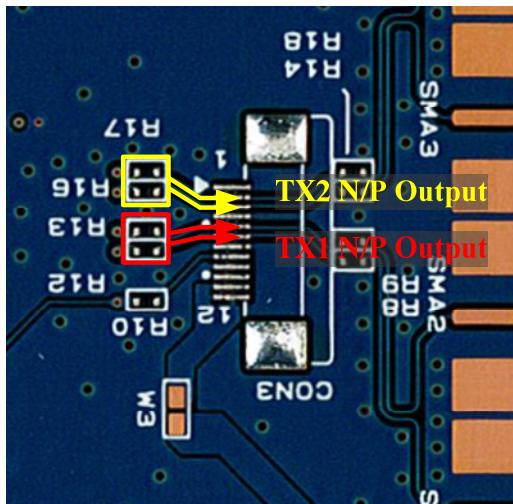
THEVA213-V3 supports dual display mode.
When you use dual display mode, Please mount following resistors.

Table 5 Resistor Mounting for Dual Display Mode

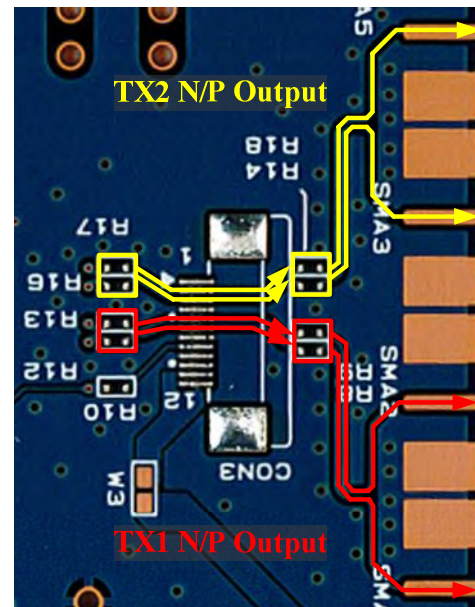
Connector	Mount	Unmount
1mm Pitch Connector Using Case	R4, R5, R6, R7	R12, R13, R16, R17
0.5mm Pitch Connector Using Case	R12, R13, R16, R17	R4, R5, R6, R7 R8, R9, R14, R18
SMA Connector Using Case	R8, R9, R12, R13 R14, R16, R17, R18	R4, R5, R6, R7



(a) 1mm Pitch Connector (Top Side)



(b) 0.5mm Pitch Connector (Bottom Side)



(c) SMA Connector (Bottom Side)

Figure 14 Dual Display Mode

10. Status Indicate LED

The following table shows indicating status of each LED.

Table 6 LED Description

	THEVA213-V3	THEVA214-V3
D1	3.3V Power Supply Indicator	
D2	LOCKN Status Indicator	

11. Function

This chapter shows function setting of THEVA213-V3 and THEVA214-V3.

Table 7 THEVA213-V3 Function Setting Description

Silk	Symbol	Function																
EDGE	EDGE	Input clock triggering edge select. H: Rising Edge L: Falling Edge																
PRBS	PRBS	PRBS (Pseudo Random Binary Sequence) generator is active for evaluation or debugging. H : PRBS Generator Enable L : Normal Operation																
DUAL	DUAL	Dual display mode enable. H: Dual Display Mode (TX1N/P and TX2N/P enabled) L: Normal Operation (Only TX1N/P enabled, TX2N/P is Hi-Z)																
PRE1	PRE1	Pre-Emphasis level select input.																
PRE0	PRE0																	
			<table border="1"> <thead> <tr> <th>PRE1</th> <th>PRE0</th> <th>Description</th> </tr> </thead> <tbody> <tr> <td>L</td> <td>L</td> <td>w/o Pre-Emphasis</td> </tr> <tr> <td>L</td> <td>H</td> <td>25% Pre-Emphasis</td> </tr> <tr> <td>H</td> <td>L</td> <td>50% Pre-Emphasis</td> </tr> <tr> <td>H</td> <td>H</td> <td>100% Pre-Emphasis</td> </tr> </tbody> </table>	PRE1	PRE0	Description	L	L	w/o Pre-Emphasis	L	H	25% Pre-Emphasis	H	L	50% Pre-Emphasis	H	H	100% Pre-Emphasis
PRE1	PRE0		Description															
L	L	w/o Pre-Emphasis																
L	H	25% Pre-Emphasis																
H	L	50% Pre-Emphasis																
H	H	100% Pre-Emphasis																
PDWN	PDWN	Power down mode H: Normal Operation L: Power Down Mode (TX1N/P and TX2N/P are Hi-Z)																

Table 8 THEVA214-V3 Function Setting Description

Silk	Symbol	Function									
EDGE	EDGE	Input clock triggering edge select. H: Rising Edge L: Falling Edge									
OE	OE	Output Enable H : Output Disable, All Outputs are Hi-Z L : Output Enable									
MOD1	MODE1	Both must be tied to GND.									
MOD0	MODE0										
			<table border="1"> <thead> <tr> <th>MODE1</th> <th>MODE0</th> <th>Description</th> </tr> </thead> <tbody> <tr> <td>L</td> <td>L</td> <td>Normal Mode Shake Hand Mode</td> </tr> <tr> <td colspan="2">Other Setting</td> <td>Not Available</td> </tr> </tbody> </table>	MODE1	MODE0	Description	L	L	Normal Mode Shake Hand Mode	Other Setting	
MODE1	MODE0	Description									
L	L	Normal Mode Shake Hand Mode									
Other Setting		Not Available									
PDWN	PDWN	Power down mode. H: Normal Operation L: Power Down Mode (All outputs except LOCKN and CLKOUT are held to low)									

12. Schematic

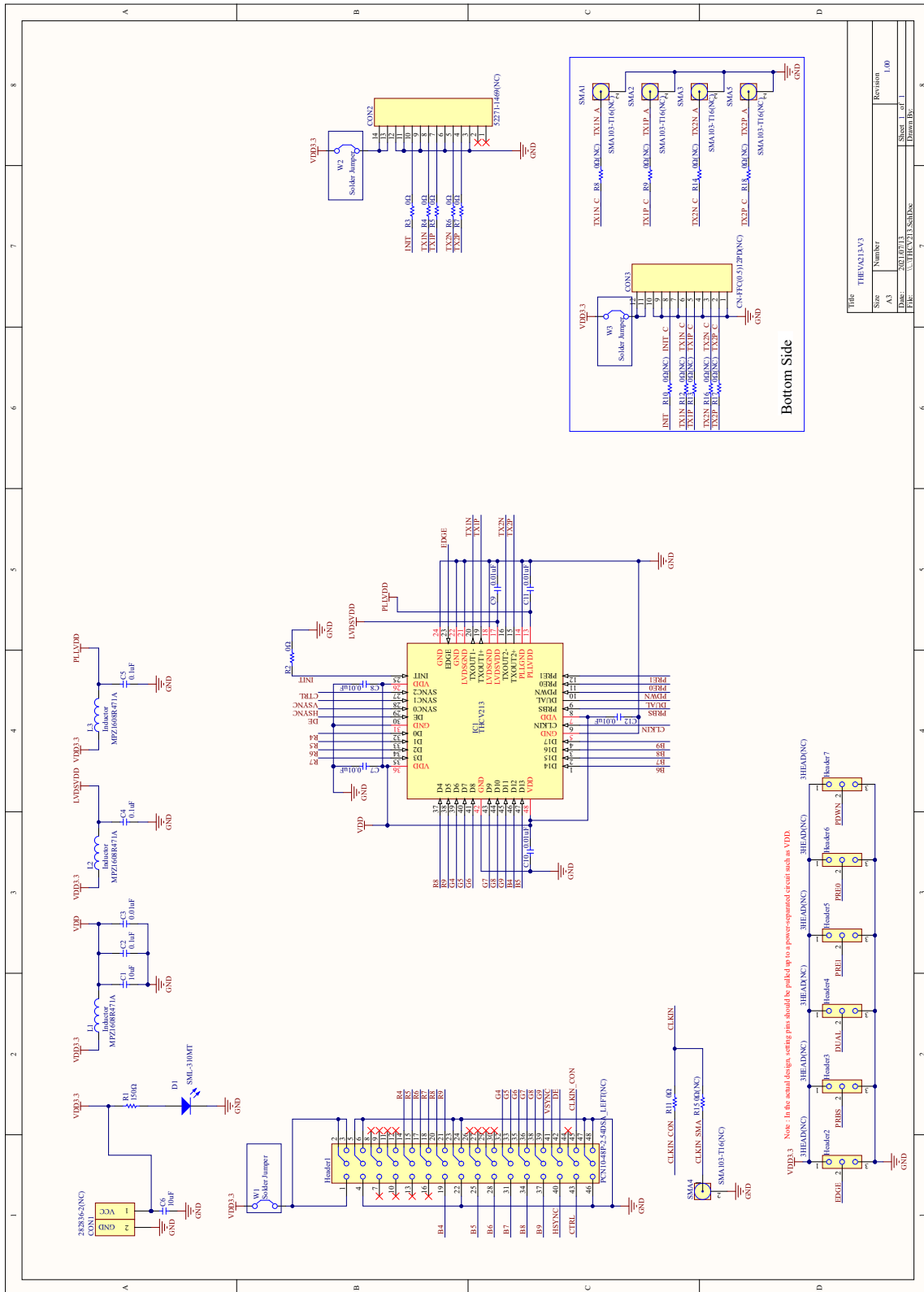


Figure 15 THEVA213-V3 Schematic

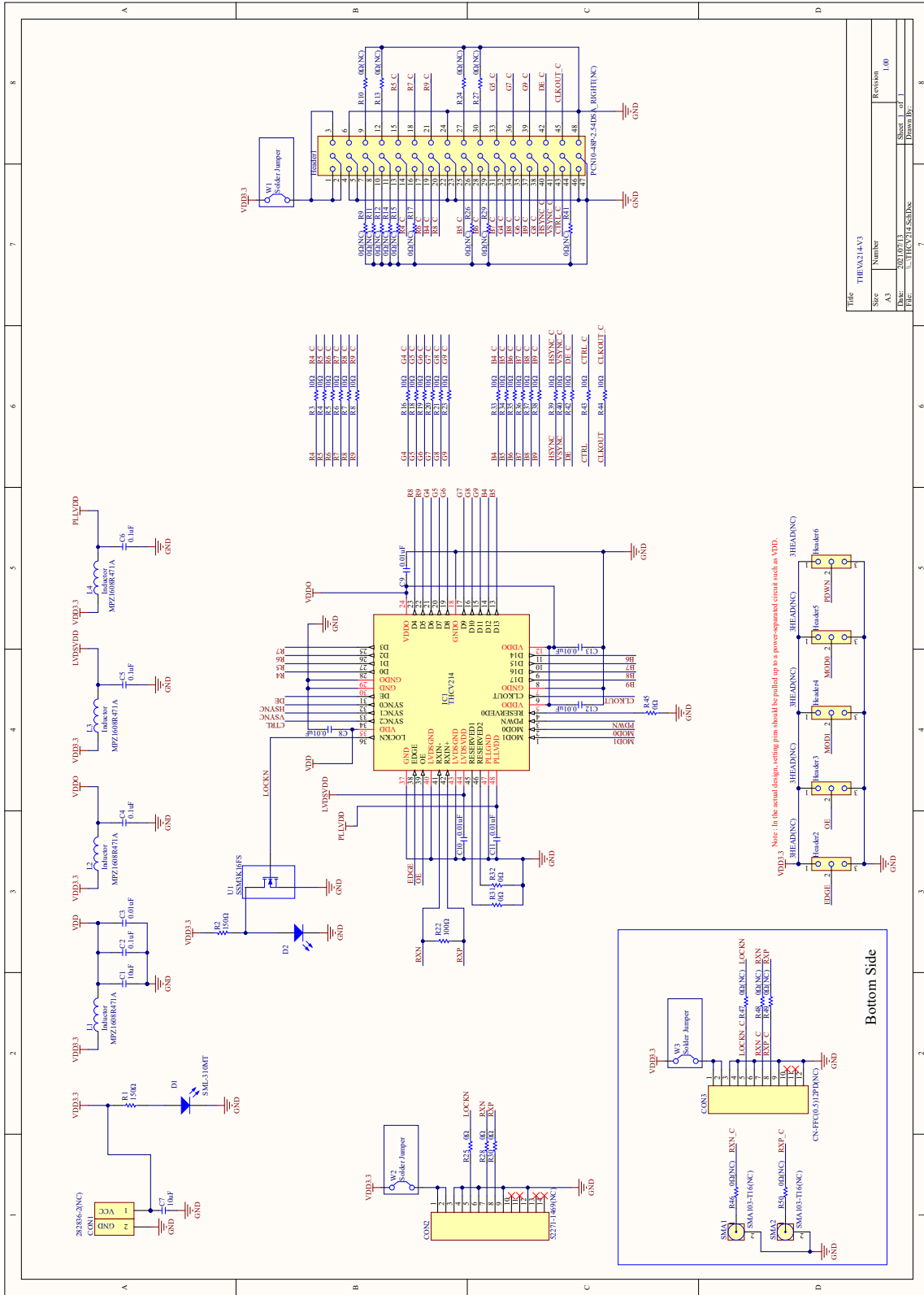


Figure 16 THEVA214-V3 Schematic

13. Bills of Materials

Table 9 THEVA213-V3 BOM

TYPE	Value / Part No.	Package	SPEC	Reference No.	Q'ty	Note
Capacitor	10uF	2012	16V	C1, C6	2	
Capacitor	0.1uF	1005	16V	C2, C4, C5	3	
Capacitor	0.01uF	1005	16V	C3, C7, C8, C9, C10, C11, C12	7	
Connector	282836-2(NC)	5mm_pitch	2pin	CON1	1	
Connector	52271-1469(NC)	1mm_pitch	14pin	CON2	1	
Connector	CN-FFC(0.5)12PD(NC)	0.5mm_pitch	12pin	CON3	1	
Connector	PCN10-48P-2.54DSA_LEFT(NC)	2.54mm_pitch	48pin	Header1	1	
Connector	SMA103-T16(NC)	1.6mm	PCB End Jack	SMA1, SMA2, SMA3, SMA4, SMA5	5	
Header	3HEAD(NC)	2.54mm_pitch	---	Header2, Header3, Header4, Header5, Header6, Header7	6	
IC	THCV213	TQFP48	---	IC1	1	
Inductor	MPZ1608R471A	1608	1.2A	L1, L2, L3	3	
LED	SML-310MT	1608	GREEN	D1	1	
Resistor	150	1005	0.1W	R1	1	
Resistor	0	1005	1A	R2, R3, R4, R5, R6, R7, R11	7	
Resistor	0(NC)	1005	1A	R8, R9, R10, R12, R13, R14, R15, R16, R17, R18	10	

Table 10 THEVA214-V3 BOM

TYPE	Value / Part No.	Package	SPEC	Reference No.	Q'ty	Note
Capacitor	10uF	2012	16V	C1, C7	2	
Capacitor	0.1uF	1005	16V	C2, C4, C5, C6	4	
Capacitor	0.01uF	1005	16V	C3, C8, C9, C10, C11, C12, C13	7	
Connector	SMA103-T16(NC)	1.6mm	PCB End Jack	SMA1, SMA2	2	
Connector	PCN10-48P-2.54DSA_RIGHT(NC)	2.54mm_pitch	48pin	Header1	1	
Connector	CN-FFC(0.5)12PD(NC)	0.5mm_pitch	12pin	CON3	1	
Connector	52271-1469(NC)	1mm_pitch	14pin	CON2	1	
Connector	282836-2(NC)	5mm_pitch	2pin	CON1	1	
Header	3HEAD(NC)	2.54mm_pitch	---	Header2, Header3, Header4, Header5, Header6	5	
IC	SSM3K16FS	SSM	RON15Ω	U1	1	
IC	THCV214	TQFP48	---	IC1	1	
Inductor	MPZ1608R471A	1608	1.2A	L1, L2, L3, L4	4	
LED0	SML-310MT	1608	GREEN	D1,D2	2	
Resistor	150Ω	1005	0.1W	R1, R2	2	
Resistor	100Ω	1005	0.1W	R22	1	
Resistor	10Ω	1005	0.1W	R3, R4, R5, R6, R7, R8, R16, R18, R19, R20, R21, R23, R33, R34, R35, R36, R37, R38, R39, R40, R42, R43, R44	23	
Resistor	0Ω(NC)	1005	1A	R9, R10, R11, R12, R13, R14, R15, R17, R24, R26, R27, R29, R41, R46, R47, R48, R49, R50	18	
Resistor	0Ω	1005	1A	R25, R28, R30, R31, R32, R45	6	

14. Set Items

Table 11 Set Items

TYPE	Part No.
DC Connector	282836-2
FFC Connector for V-by-One® Link	52271-1469
FFC 14pin 1mm Pitch for V-by-One® Link	98267-0299
Pin Header	---

It's possible to mount these parts on this board and use.

15. Notices and Requests

Please kindly read, understand and accept this “Notices and Requests” before using this product.

For the Material:

1. The product specifications described in this material are subject to change without prior notice.
2. The circuit diagrams described in this material are examples of the application which may not always apply to design of respective customers. THine Electronics, Inc. (“THine”) is not responsible for possible errors and omissions in this material. Please note even if the errors or omissions should be found in this material, THine may not be able to correct them immediately.
3. This material contains THine’s copyright, know-how or other proprietary. Copying or disclosing of the contents of this material to any third party without THine’s prior permission is strictly prohibited.

For the Product:

1. This product is solely designed for evaluation purpose, and other purposes including mass production and distribution are not intended.
2. This product has been solely manufactured for electric design engineers but not for end-users.
3. This product is not radiation-tolerant product.
4. This product is presumed to be used for general electric device, not for applications which require extremely high-reliability/safety (including medical device concerned with critical care, aerospace device, or nuclear power control device). Also, when using this product for any device concerned with control and/or safety of transportation means, traffic signal device, or other various types of safety device, such use must be after applying appropriate measures to the product.
5. This product has been designed with the utmost care to accomplish the purpose of evaluation of IC products manufactured by THine Electronics, Inc. (“THine”); however, **THine MAKES NO WARRANTIES OR REPRESENTATIONS WITH REGARD TO ANY PERFORMANCE OR FUNCTION OF THIS PRODUCT IN ANY CIRCUMSTANCES.**
6. This product has been manufactured with the utmost care in quality control and product reliability; however, there may be faults or defects with a low but fixed probability, as inevitable phenomenon concerned with semiconductor manufacturing processes. Therefore, customers are encouraged to have sufficiently redundant or error-preventive design applied to the use of the product so as not to have THine’s product cause any social or public damage. Neither replacement nor failure analysis of the product is available in any case of defects with the product and/or the product’s components.
7. Customers are asked, if required, to judge by themselves on whether this product falls under the category of strategic goods under the Foreign Exchange and Foreign Trade Act.
8. Please Note that even if infringement of any third party’s industrial ownership should occur by using this product, THine will be exempted from any responsibility unless it directly relates to the production process or functions of the product.
9. Developing, designing and manufacturing of customers’ own products, equipment or system by using of this product is strictly prohibited in any way.

THine Electronics, Inc.

<https://www.thine.co.jp/>