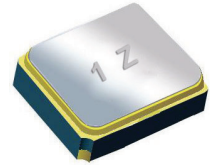


Surface Mount 1588.66 MHz SAW Filter

AFS14A34-1588.66-T2



RoHS
Compliant



1.4 x 1.1 x 0.7 mm

FEATURES:

- 1.4 x 1.1 x 0.7 mm low profile SMT package
- Low Insertion loss
- Excellent selectivity with high out-of-band rejection

APPLICATIONS:

- Wireless Communication
- Remote Control
- Cellular Phones

ELECTRICAL SPECIFICATIONS:

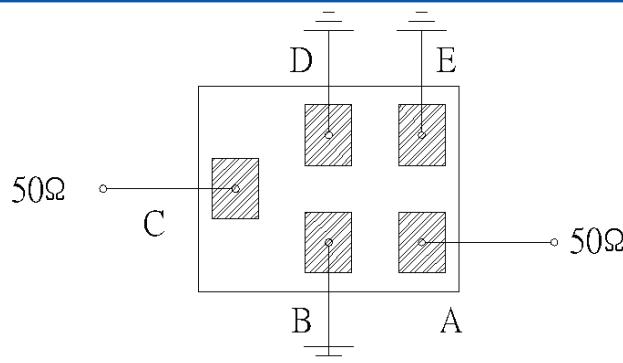
Maximum Ratings

Item	Value
Input Power Level	+10 dBm max.
DC Permissive Voltage	3.0V DC max.
Operating Temperature Range	-30°C to + 85°C
Storage Temperature Range	-40°C to + 85°C

Parameters	Minimum	Typical	Maximum	Units	Notes
Center Frequency (f_c)		1588.66		MHz	
Insertion Loss (IL)		1.25	1.70	dB	1573.42~1577.42 MHz
Insertion Loss (IL)		1.7	2.5	dB	1571.42~1605.89 MHz
3-dB Bandwidth		34		MHz	
Amplitude Ripple		0.25	0.8	dB	1573.42~1577.42 MHz
Amplitude Ripple		0.7	1.5	dB	1571.42~1605.89 MHz
Worst-Case Input / Output Return Loss	9.54	20.8		dB	1573.42~1577.42 MHz
Worst-Case Input / Output Return Loss	12.7	20.8		dB	1571.42~1605.89 MHz
Stop-band Attenuation (Referenced to 0.0 dB)	32	35		dB	D.C~824 MHz
	32	35			824~849 MHz
	32	34.5			849~880 MHz
	32	34.5			880~915 MHz
	30	34			915~1452 MHz
	32	37			1452~1525 MHz
	32	36			1710~1785 MHz
	32	36			1785~1850 MHz
	25	36			1850~6000 MHz
Temperature Coefficient of frequency		-36		ppm/°C	
Source Impedance (Z_S)		50		Ω	See note # 1
Load Impedance (Z_L)		50		Ω	See note # 1

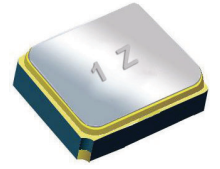
Note #1: No matching network required for operation into 50 Ω 's

TEST CIRCUIT:



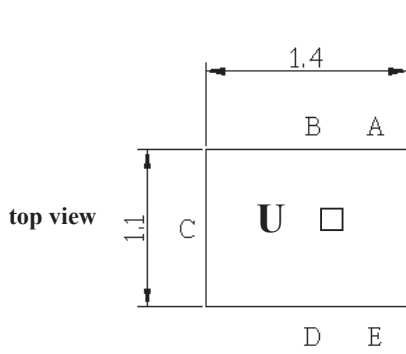
Surface Mount 1588.66 MHz SAW Filter

AFS14A34-1588.66-T2

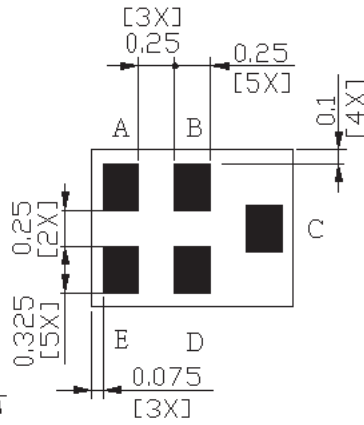


1.4 x 1.1 x 0.7 mm

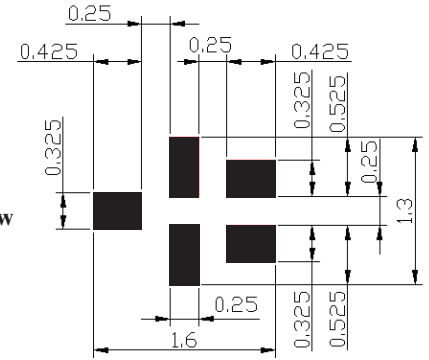
OUTLINE DIMENSIONS:



side view



Recommended Land Pattern:



■ : Land Pattern
Unit : mm

C:	Input
A:	Output
B, D, E:	Ground

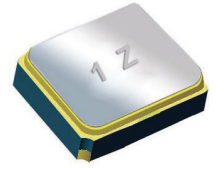
*All Dimensions are in mm

□ Year/Month Code (Follow the table)

Year/Month	1	2	3	4	5	6	7	8	9	10	11	12
2009	A	B	C	D	E	F	G	H	J	K	L	M
2010	N	P	Q	R	S	T	U	V	W	X	Y	Z
2011	A	B	C	D	E	F	G	H	J	K	L	M
2012	N	P	Q	R	S	T	U	V	W	X	Y	Z
2013	A	B	C	D	E	F	G	H	J	K	L	M
2014	N	P	Q	R	S	T	U	V	W	X	Y	Z

Surface Mount 1588.66 MHz SAW Filter

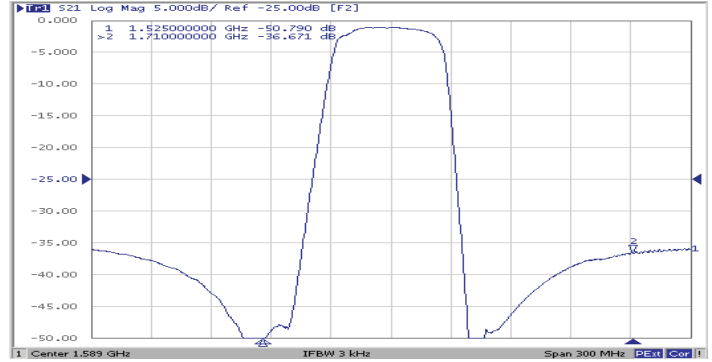
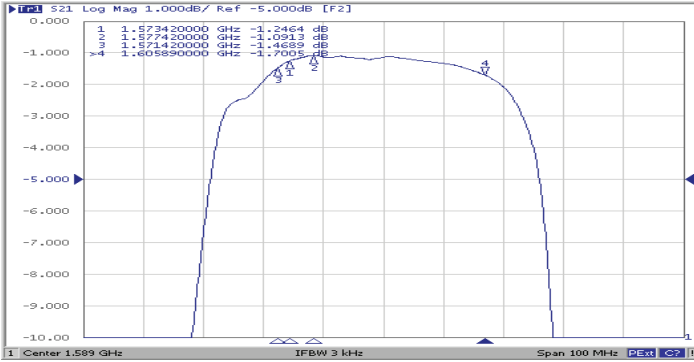
AFS14A34-1588.66-T2



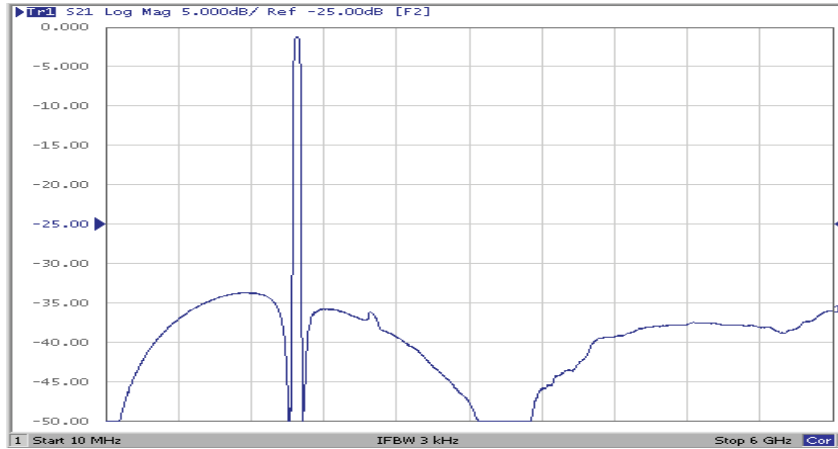
1.4 x 1.1 x 0.7 mm

FREQUENCY CHARACTERISTICS:

Filter Frequency Response (Narrowband)

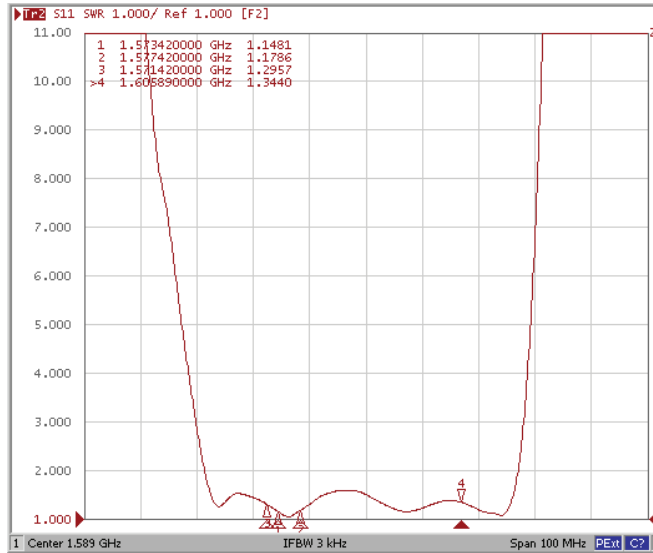


Filter Frequency Response (Wideband)

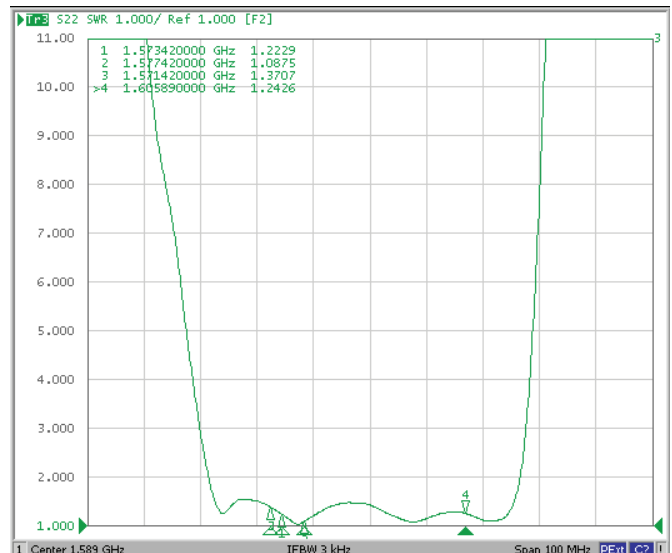


REFLECTION FUNCTIONS:

S11



S22

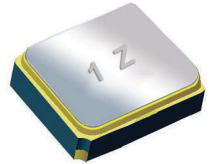


Surface Mount 1588.66 MHz SAW Filter

AFS14A34-1588.66-T2

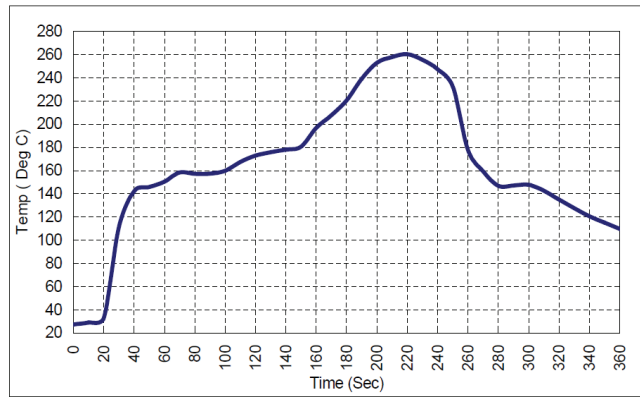


RoHS
Compliant



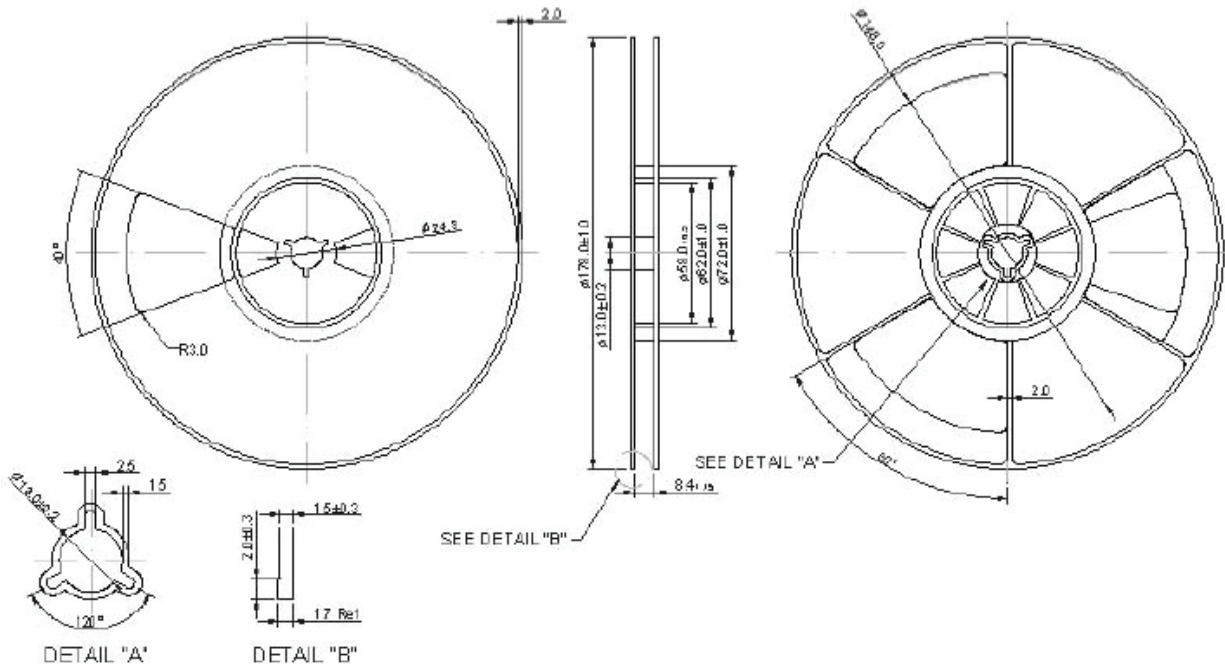
1.4 x 1.1 x 0.7 mm

REFLOW PROFILE:



PACKAGING: 2000 Units/Reel

Reel Count : 7" = 2k units



ATTENTION: Abracon Corporation's products are COTS – Commercial-Off-The-Shelf products; suitable for Commercial, Industrial and, where designated, Automotive Applications. Abracon's products are not specifically designed for Military, Aviation, Aerospace, Life-dependant Medical applications or any application requiring high reliability where component failure could result in loss of life and/or property. For applications requiring high reliability and/or presenting an extreme operating environment, written consent and authorization from Abracon Corporation is required. Please contact Abracon Corporation for more information.

ABRACON IS
ISO 9001:2008
CERTIFIED



Visit www.abracon.com for Terms & Conditions of Sale
30332 Esperanza, Rancho Santa Margarita, California 92688
tel 949-546-8000 | fax 949-546-8001 | www.abracon.com

Revised: 06.21.12