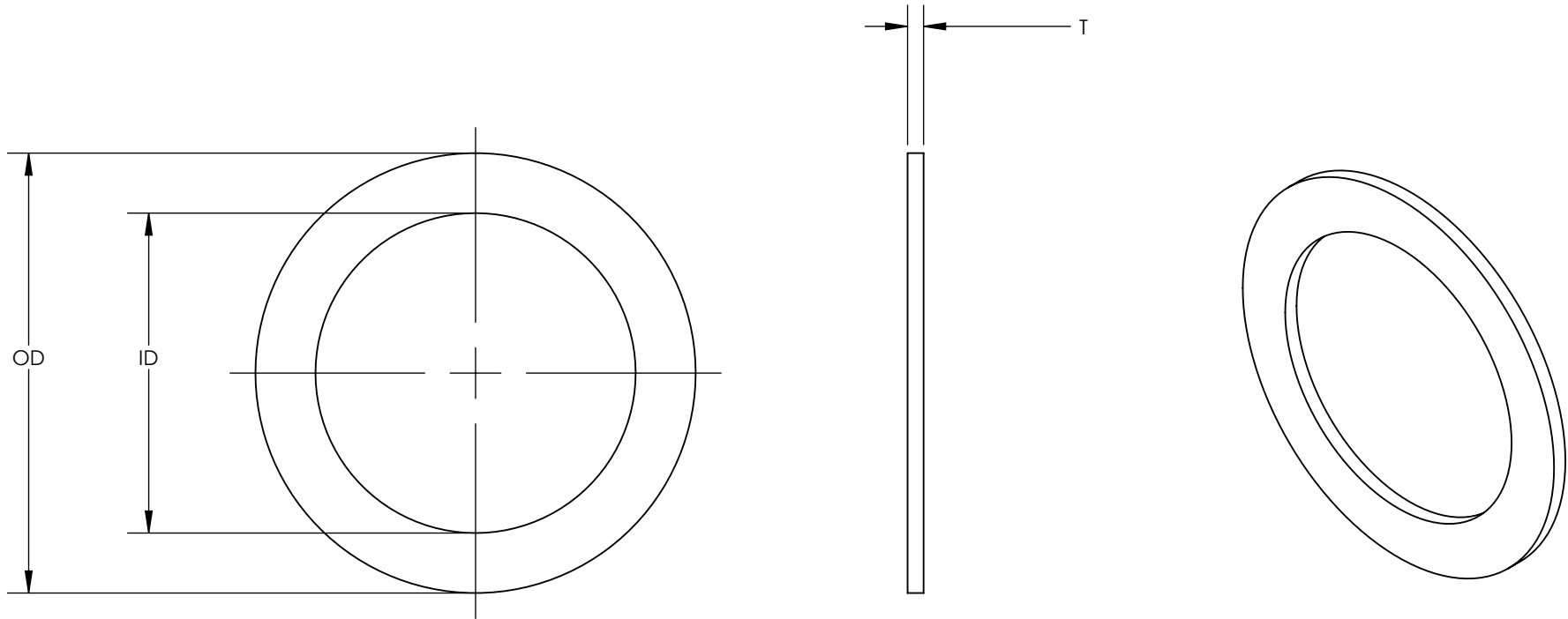


SW2014



Revision level			Revision Record	Changed	Date	Approved	Date
Drawing	State	Part					
00.0	Design Release		SEE ECN# 013585	GRW	10/13/2016	KAC	10/13/2016



To Fit Thread Size		HellermannTyton Part Number	Manufacturer Reference Number	Dimension					
in.	mm			Outside diameter		Inside Diameter		Thickness	
				in.	mm	in.	mm	in.	mm
3/8	16	SW0380	SW16	0.87	22.0	16	16.0	0.06	1.6
1/2	20	SW0500	SW20	1.02	26.0	20	20.0	0.06	1.6
3/4	25	SW0750	SW25	1.26	32.0	25	25.0	0.06	1.6
1.00	32	SW1000	SW32	1.62	41.2	32	32.0	0.06	1.6
1.25	40	SW1250	SW40	1.97	50.0	40	40.0	0.06	1.6
1.50	50	SW1500	SW50	2.36	60.0	50	50.0	0.06	1.6
2.00	63	SW2000	SW50	2.87	73.0	63	63.0	0.06	1.6

Material  
CHLOROPRENE

Units: **inches**  
 Dimension without tolerances details to:  
 .xxxx = ±.0005  
 .xxx = ±.005  
 .xx = ±.01  
 .x = ±.03  
 None = ±.06  
 < = ±0.5°  
 Dimension Formatted in/[mm]

The copyright of this drawing is reserved by HellermannTyton. It is issued on condition that it is not reproduced, copied, or disclosed to a third party, either wholly or in part, without the consent of HellermannTyton.

Drawn GRW 10/13/2016  
 Approved KAC 10/13/2016  
**HellermannTyton**  
 North America  
 Email: corp@htamericas.com  
 Web: www.hellermann.tyton.com

Article/Type-No SW SERIES  
 Title **HELAGUARD RUBBER SEALING WASHER**  
 Drawing-No PRODUCTION : Phase  
**16-1622-001-CSU**

Scale 2:1  
 Project Number PRP 16-1622  
 Format AH  
 Sheet 1/1