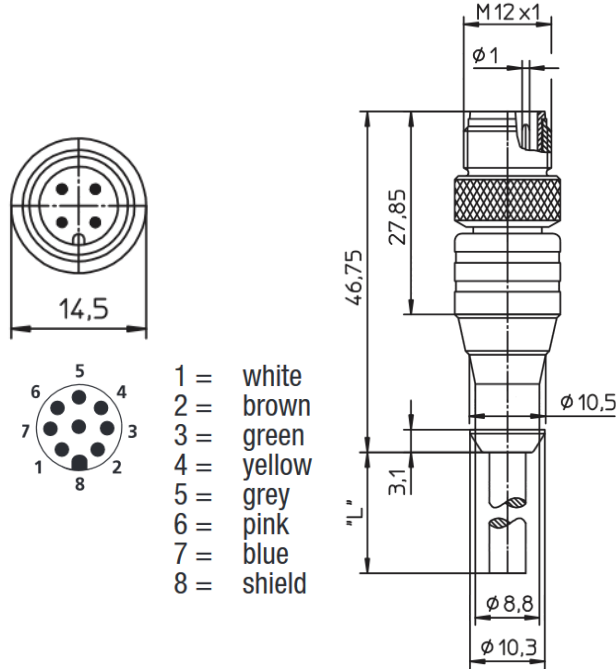


## Drawings



## Technical Data

Cordage Construction		Diameters (In)
Cordage Part Number	103	
Component 1	8 COND	
a) Conductor	24 (19/36) AWG Bare Copper	0.025
b) Insulation	0.011" Wall, Nom. SR-PVC	0.047
Insulation Colors	White, Brown, Green, Yellow, Grey, Pink, Blue & Red	
Jacket	0.032" Wall, Nom. PVC	0.244
a) Color(s)	SLATE	
<b>Cord Configuration</b>		
End 1	M12-A Male	
End 2	Cut End	
Insert	Black TPU	
Mold Color	Black TPU	
Contact	Copper Alloy, Gold plated	
O-Ring	FKM	
Coupling Nut	Copper Alloy, Nickel plated	
Available Lengths	0.6, 1, 3, 5, 10, 15, 20 Meters	

Issue: 1 Issue Date: 7/29/2016 Effective Date: 7/29/2016

<b>Applicable Specifications-Cable</b>		
UL	AWM/STYLE 2661	105°C / 300 V <sub>RMS</sub>
CSA International	C(RU) AWM I/II A/B FT1	105°C / 300 V <sub>RMS</sub>
<b>Applicable Specifications-Cord Set</b>		
UL	ANSI/UL 2238, Cable Assembly Extension RU, UL File Number E485156	
CSA	CSA-C22.2 No. 182.3, Special Use Attachment Plugs, Receptacles and Connectors cRU, UL File Number E485156	
<b>Nominal Voltage</b>	30 V	
<b>Rated Voltage</b>	36 V	
Ingress Protection	IP67/NEMA 6P	
<b>Environmental Compliance</b>		
CE	All materials used in the manufacture of this part meet the requirements of European Directive 2011/65/EU regarding the restriction of use of certain hazardous substances in electrical and electronic equipment. Exemption used; 6a.	
REACH Regulation (EC 1907/2006)	This product does not contain Substances of Very High Concern (SVHC) listed on the European Union's REACH candidate list in excess of 0.1% mass of the item.	
<b>Physical &amp; Mechanical Properties</b>		
Temperature Range, Cord	-40 to 105°C(static), -15 to 105°C (dynamic)	
Temperature Range, Connector	-25°C to +80°C	
Bend Radius	7X Cable Diameter (static), 10X Cable Diameter (dynamic)	
Pull Tension	30 Lbs, Maximum	
Current Rating	1.4 Amps @ 50°C	
<b>Ordering Information</b>		
DR0800103 SL355	0.6 Meters	
DR0800103 SL356	1.0 Meters	
DR0800103 SL357	3.0 Meters	
DR0800103 SL358	5.0 Meters	
DR0800103 SL359	10.0 Meters	
DR0800103 SL400	15.0 Meters	
DR0800103 SL401	20.0 Meters	
Standard Package	Each	

.....  
**Alpha Wire | 711 Lidgerwood Ave, Elizabeth, NJ 07207**

Although Alpha Wire ("Alpha") makes every reasonable effort to ensure their accuracy at the time of this publication, information and specifications described herein are subject to error or omission and to change without notice, and the listing of such information and specifications does not ensure product availability. Alpha provides the information and specification herein on an "AS IS" basis, with no representations or warranties, whether express, statutory or implied. In no event will Alpha be liable any damages (including consequential,