

## Pan-Steel® Stainless Steel Installation Tools – RT2HT and BT2HT Series

Panduit® Pan-Steel® Installation Tools work with Pan-Steel® Stainless Steel Cable Ties and Strapping to provide consistent, reliable bundling at the lowest installed cost.

- RT2HT and RT2HTN tools installs extra-heavy .50" (12.7mm) through super-heavy .63" (15.9mm) cross section stainless steel metal locking ties
- BT2HT tool installs .38" (9.5mm) through .63" (15.9mm) cross section stainless steel strapping

These industry-leading ergonomic tools are designed to reduce operator fatigue, promote worker safety, and improve productivity, optimizing bundling and fastening in industrial and harsh environments.



### Key Features and Benefits

#### RT2HT and RT2HTN Installation Tools

**Cable Tie Side Entry**  
Allows quick side entry of tie into tool to speed installation

**Multi-Position Rear Handle**  
Provides flexibility for a one or two hand installation

**Adjustable Tension Control**  
Provides consistent bundle tension

**Superior Cutter Design**  
Reduces cutting effort by 50%, diminishing operator fatigue

**Replaceable Cutter Blade\***  
Field repairable for long service life

**Superior Cutter Handle Design\*\***  
Increased strength for long service life

#### Additional Feature of RT2HTN Installation Tool

**Narrow Nose Design**  
Allowing access to confined spaces

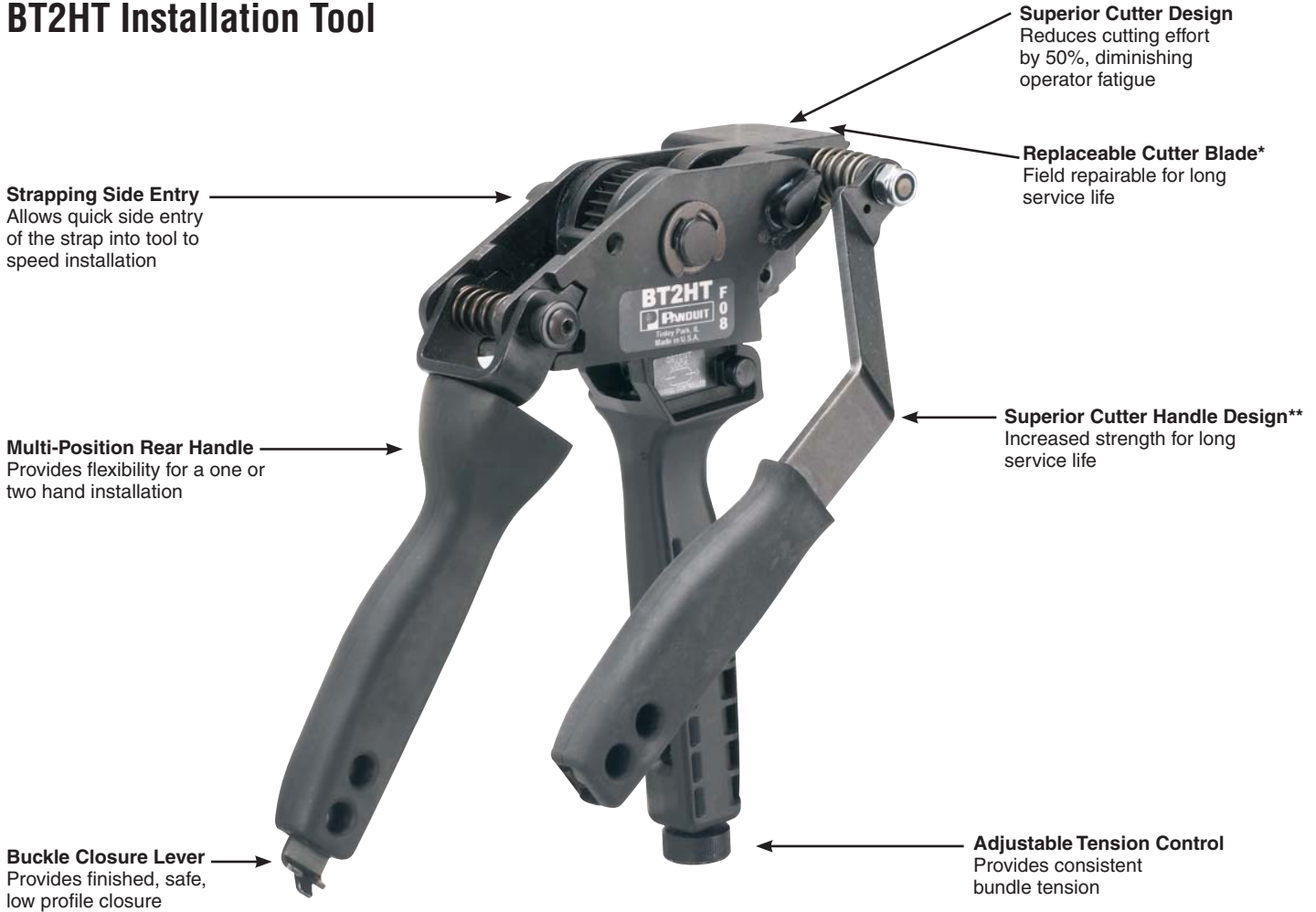


\*Replaceable cutter blade available only for RT2HT and BT2HT.

\*\*Replaceable cutter handle available only for RT2HT and BT2HT.

# Panduit® Pan-Steel® Installation Tools

## BT2HT Installation Tool



\*Replaceable cutter blade available only for RT2HT and BT2HT.

\*\*Replaceable cutter handle available only for RT2HT and BT2HT.

## Pan-Steel® Installation Tools Ordering Information

Part Number	Description	Std. Pkg. Qty.
RT2HT	Use with extra-heavy .50" (12.7mm) and super-heavy .63" (15.9mm) cross section Pan-Steel® type MLT ties. Width of tool nose 2.60" (66.0mm).	1
RT2HTN	Narrow nose installation tool for use with extra-heavy .50" (12.7mm) and super-heavy .63" (15.9mm) cross section Pan-Steel® type MLT ties. Width of tool nose 1.06" (27.0mm).	1
BT2HT	Used with all widths of Panduit® Pan-Steel® MS Strapping. Tensions, cuts strapping, and secures the buckle tab.	1
KRT2BLD	Replacement cutter blade for RT2HT and BT2HT.	1
KRT2HNDL	Replacement cutter handle for RT2HT and BT2HT.	1

### WORLDWIDE SUBSIDIARIES AND SALES OFFICES

PANDUIT CANADA  
Markham, Ontario  
cs-cdn@panduit.com  
Phone: 800.777.3300

PANDUIT EUROPE LTD.  
London, UK  
cs-emea@panduit.com  
Phone: 44.20.8601.7200

PANDUIT SINGAPORE PTE. LTD.  
Republic of Singapore  
cs-ap@panduit.com  
Phone: 65.6305.7575

PANDUIT JAPAN  
Tokyo, Japan  
cs-japan@panduit.com  
Phone: 81.3.6863.6000

PANDUIT LATIN AMERICA  
Guadalajara, Mexico  
cs-la@panduit.com  
Phone: 52.33.3777.6000

PANDUIT AUSTRALIA PTY. LTD.  
Victoria, Australia  
cs-aus@panduit.com  
Phone: 61.3.9794.9020

For a copy of Panduit product warranties, log on to [www.panduit.com/warranty](http://www.panduit.com/warranty)

For more information

Visit us at [www.panduit.com](http://www.panduit.com)

Contact Customer Service by email: [cs@panduit.com](mailto:cs@panduit.com)  
or by phone: 800.777.3300 and reference

**PANDUIT®**

©2014 Panduit Corp.  
ALL RIGHTS RESERVED.  
Product Bulletin Number **SSCB01--WW-ENG**  
Replaces WW-SSCB19  
3/2014