

# SDT Series Micro Mini Pendulum Surface Mount Detect Switches

## Features/Benefits

- Low profile package sits just 3,30 mm off PCB
- Design allows top or side actuation
- Low actuation force, 30 grams max.
- Pick and place compatible, available in tape & reel packaging
- RoHS compliant and compatible

## Typical Applications

- Consumer electronics
- Computers
- Medical devices
- ATCA or MicroTCA devices



## Specifications

CONTACT RATING: 1 mA 5 VDC  
 MECHANICAL AND ELECTRICAL LIFE: 100,000 cycles min.  
 CONTACT RESISTANCE: 1 Ω max. initial.  
 INSULATION RESISTANCE: 10 M Ω min. between adjacent contacts.  
 OPERATING TEMPERATURE: -20°C to +70°C  
 STORAGE TEMPERATURE: -30°C to +80°C  
 PACKAGING: Tape & reel, 2,200 per reel.

## Materials

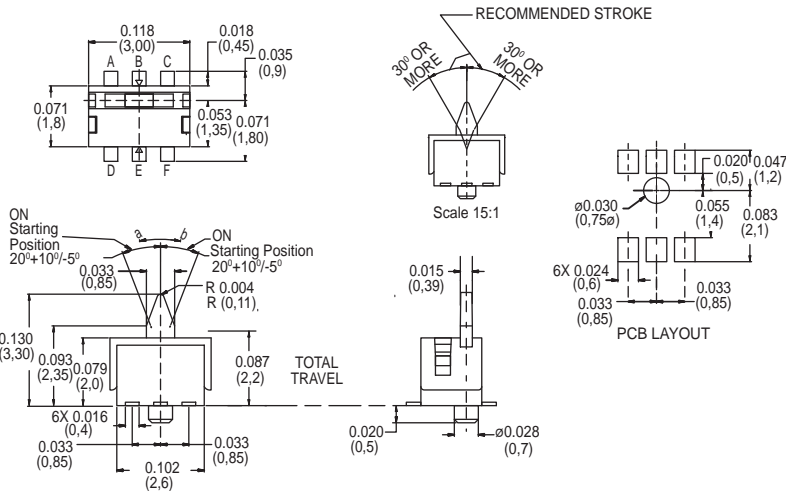
BASE: LCP  
 COVER: PA 46  
 ACTUATOR: LCP  
 MOVABLE BLADE: Stainless steel, gold over nickel plate.  
 TERMINALS: Phosphor bronze, gold over nickel plate.

NOTE: Specifications and materials listed above are for switches with standard options. For information on specific and custom switches, consult Customer Service Center.

## Build-A-Switch

Complete part numbers for SDT Series are shown below.

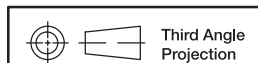
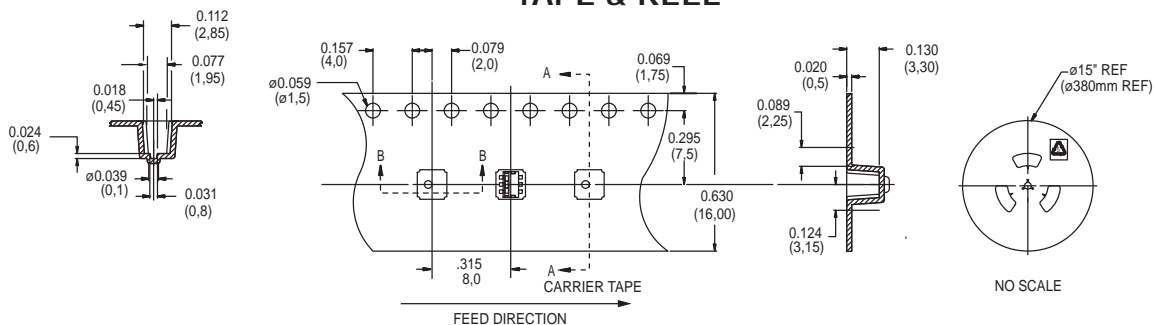
PART NUMBER	PACKAGING	SCHEMATIC
<b>SDT001</b>	TAPE & REEL	 CIRCUIT DIAGRAM



SDT001



## TAPE & REEL



Dimensions are shown: Inches (mm)  
 Specifications and dimensions subject to change



Detect