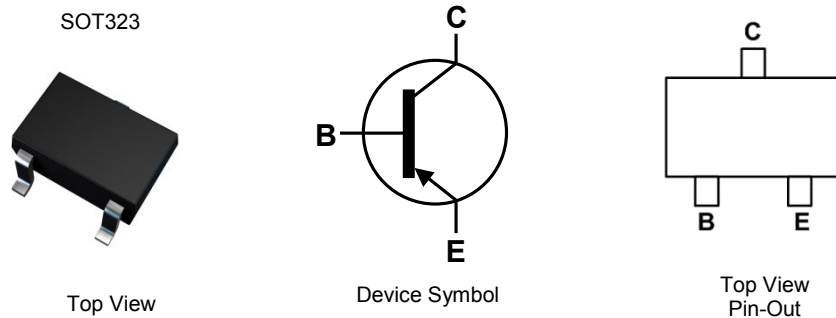


Features

- Ideally Suited for Automatic Insertion
- Complementary NPN Types Available (BC846AW - BC848CW)
- For Switching and AF Amplifier Applications
- **Totally Lead-Free & Fully RoHS Compliant (Notes 1 & 2)**
- **Halogen and Antimony Free. "Green" Device (Note 3)**
- **For automotive applications requiring specific change control (i.e.: parts qualified to AEC-Q100/101/200, PPAP capable, and manufactured in IATF 16949 certified facilities), please refer to the related automotive grade (Q-suffix) part. A listing can be found at <https://www.diodes.com/products/automotive/automotive-products/>.**
- **This part is qualified to JEDEC standards (as references in AEC-Q) for High Reliability. <https://www.diodes.com/quality/product-definitions/>**

Mechanical Data

- Case: SOT323
- Case Material: Molded Plastic, "Green" Molding Compound
UL Flammability Classification Rating 94V-0
- Moisture Sensitivity: Level 1 per J-STD-020
- Terminals: Finish—Matte Tin Plated Leads, Solderable per MIL-STD-202, Method 208 ③
- Weight: 0.006 grams (Approximate)



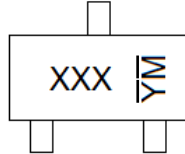
Ordering Information (Note 4)

Product	Compliance	Marking	Reel Size (Inches)	Quantity per Reel
BC856AW-7-F	Standard	K3A	7	3000
BC856BW-7-F	Standard	K3B	7	3000
BC856BW-13-F	Standard	K3B	13	10,000
BC857AW-7-F	Standard	K3A	7	3000
BC857BW-7-F	Standard	K3B	7	3000
BC857BWQ-13-F	Automotive	K3B	13	10,000
BC857CW-7-F	Standard	K3G	7	3000
BC858AW-7-F	Standard	K3A	7	3000
BC858BW-7-F	Standard	K3B	7	3000
BC858CW-7-F	Standard	K3G	7	3000

- Notes:
1. No purposely added lead. Fully EU Directive 2002/95/EC (RoHS), 2011/65/EU (RoHS 2) & 2015/863/EU (RoHS 3) compliant.
 2. See <https://www.diodes.com/quality/lead-free/> for more information about Diodes Incorporated's definitions of Halogen- and Antimony-free, "Green" and Lead-free.
 3. Halogen- and Antimony-free "Green" products are defined as those which contain <900ppm bromine, <900ppm chlorine (<1500ppm total Br + Cl) and <1000ppm antimony compounds.
 4. Tape width is 8mm. For packaging details, go to our website at <https://www.diodes.com/design/support/packaging/diodes-packaging/>.

Marking Information

SOT323



XXX = Product Type Marking Code (See Ordering Information)
 YM = Date Code Marking
 Y or \bar{Y} = Year (ex: H = 2020)
 M or \bar{M} = Month (ex: 9 = September)

Date Code Key

Year	2020	2021	2022	2023	2024	2025	2026	2027	2028	2029	2030	2031
Code	H	I	J	K	L	M	N	O	P	R	S	T
Month	Jan	Feb	Mar	Apr	May	Jun	Jul	Aug	Sep	Oct	Nov	Dec
Code	1	2	3	4	5	6	7	8	9	O	N	D

Absolute Maximum Ratings (@ $T_A = +25^\circ\text{C}$, unless otherwise specified.)

Characteristic	Symbol	Value	Unit
Collector-Base Voltage	V_{CBO}	BC856	-80
		BC857	-50
		BC858	-30
Collector-Emitter Voltage	V_{CEO}	BC856	-65
		BC857	-45
		BC858	-30
Emitter-Base Voltage	V_{EBO}	-5.0	V
Continuous Collector Current	I_C	-100	mA
Peak Pulse Collector Current (single pulse)	I_{CM}	-200	mA
Peak Pulse Emitter Current (single pulse)	I_{EM}	-200	mA

Thermal Characteristics (@ $T_A = +25^\circ\text{C}$, unless otherwise specified.)

Characteristic	Symbol	Value	Unit
Power Dissipation (Note 5)	P_D	200	mW
Thermal Resistance, Junction to Ambient (Note 5)	$R_{\theta JA}$	625	$^\circ\text{C}/\text{W}$
Operating and Storage Temperature Range	T_J, T_{STG}	-55 to +150	$^\circ\text{C}$

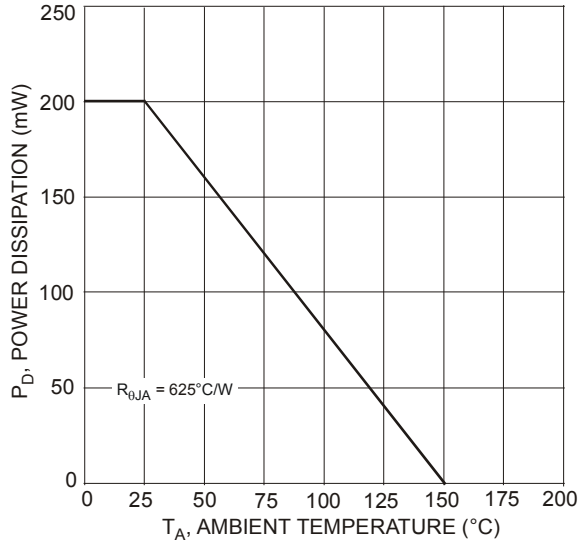
Note: 5. For a device mounted on minimum recommended pad layout 1oz copper that is on a single-sided FR4 PCB; device is measured under still air conditions whilst operating in a steady-state.

Electrical Characteristics (@ $T_A = +25^\circ\text{C}$, unless otherwise specified.)

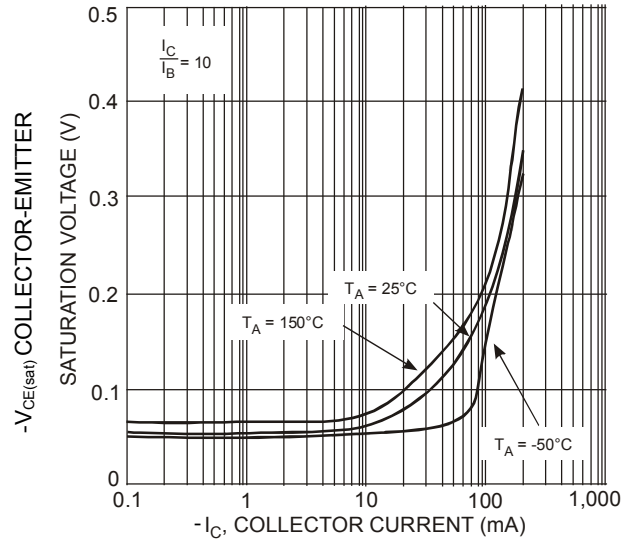
Characteristic		Symbol	Min	Typ	Max	Unit	Test Condition	
Collector-Base Breakdown Voltage	BC856	BV_{CBO}	-80	—	—	V	$I_C = -100\mu\text{A}$	
	BC857		-50					
	BC858		-30					
Collector-Emitter Breakdown Voltage (Note 6)	BC856	BV_{CEO}	-65	—	—	V	$I_C = -10\text{mA}$	
	BC857		-45					
	BC858		-30					
Emitter-Base Breakdown Voltage		BV_{EBO}	-5	—	—	V	$I_E = -100\mu\text{A}$	
DC Current Gain (Note 6)	Current Gain Group	h_{FE}	A	125	180	250	—	$V_{CE} = -5.0\text{V}, I_C = -2.0\text{mA}$
			B	220	290	475		
			C	420	520	800		
Collector Cutoff Current		I_{CBO}	—	—	-15	nA	$V_{CB} = -30\text{V}$	
					-4	μA	$V_{CB} = -30\text{V}, T_A = +150^\circ\text{C}$	
Collector-Emitter Saturation Voltage (Note 6)		$V_{CE(sat)}$	—	-75	-300	mV	$I_C = -10\text{mA}, I_B = -0.5\text{mA}$	
				-250	-650		$I_C = -100\text{mA}, I_B = -5.0\text{mA}$	
Base-Emitter Turn-On Voltage (Note 6)		$V_{BE(on)}$	-600	-650	-750	mV	$I_C = -2\text{mA}, V_{CE} = -5\text{V}$	
			—	—	-820		$I_C = -10\text{mA}, V_{CE} = -5\text{V}$	
Base-Emitter Saturation Voltage (Note 6)		$V_{BE(sat)}$	—	-700	—	mV	$I_C = -10\text{mA}, I_B = -0.5\text{mA}$	
				-850	-950		$I_C = -100\text{mA}, I_B = -5\text{mA}$	
Output Capacitance		C_{obo}	—	3	4.5	pF	$V_{CB} = -10\text{V}, f = 1.0\text{MHz}$	
Transition Frequency		f_T	100	200	—	MHz	$V_{CE} = -5\text{V}, I_C = -10\text{mA}, f = 100\text{MHz}$	
Noise Figure		NF	—	—	10	dB	$V_{CE} = -5\text{V}, I_C = -200\mu\text{A}$ $R_S = 2\text{k}\Omega, f = 1\text{kHz}$ $\Delta f = 200\text{Hz}$	

Note: 6. Measured under pulsed conditions. Pulse width $\leq 300\mu\text{s}$. Duty cycle $\leq 2\%$

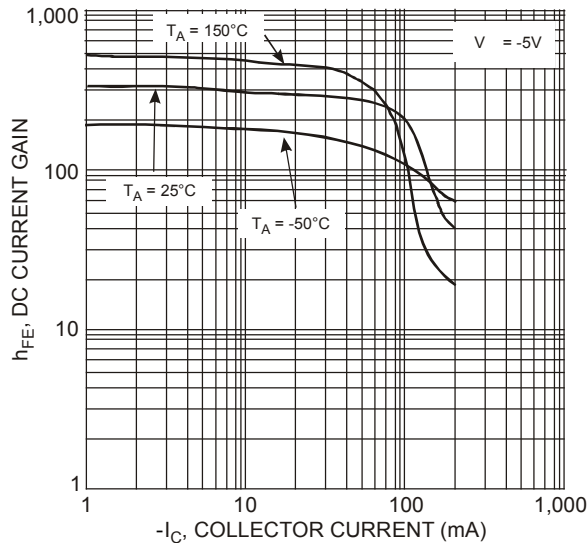
Typical Electrical Characteristics (@ $T_A = +25^\circ\text{C}$, unless otherwise specified.)



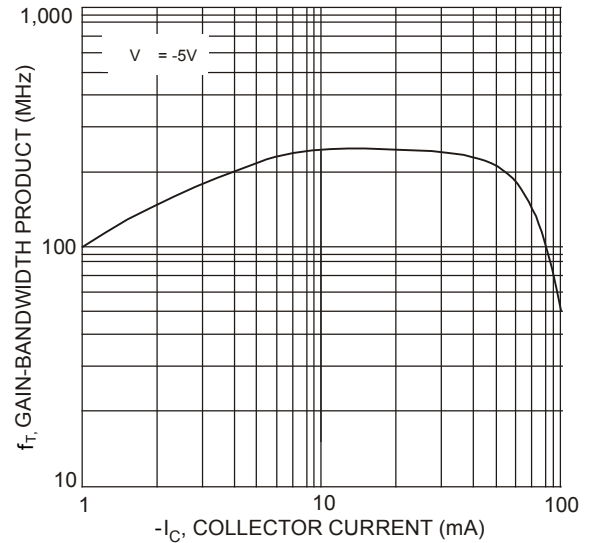
Power Dissipation vs. $P_D \ v \ T_A$



Typical Collector-Emitter Saturation Voltage $V_{CE(sat)} \ v \ I_C$



$h_{FE} \ v \ I_C$

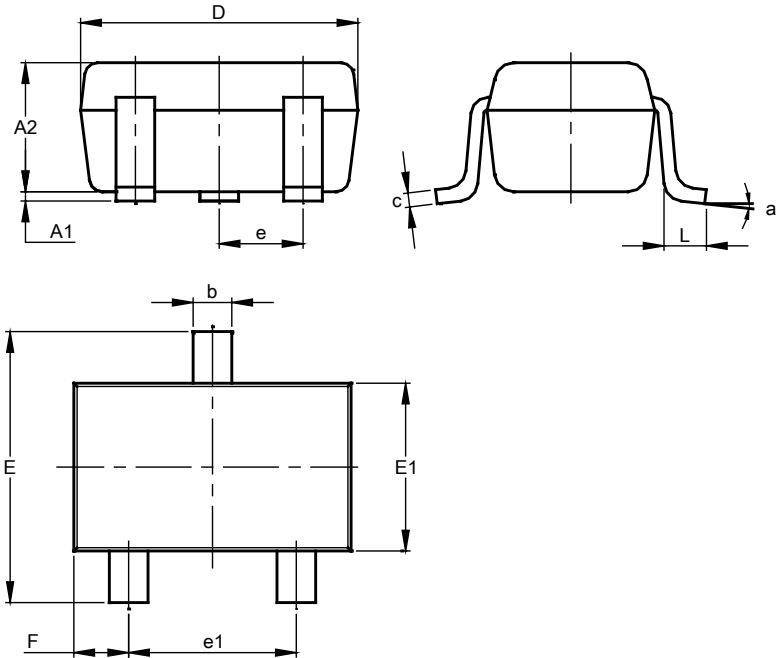


$f_T \ v \ I_C$

Package Outline Dimensions

Please see <http://www.diodes.com/package-outlines.html> for the latest version.

SOT323

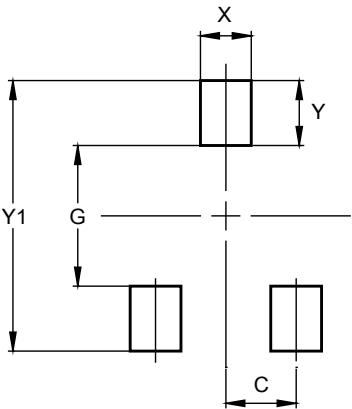


SOT323			
Dim	Min	Max	Typ
A1	0.00	0.10	0.05
A2	0.90	1.00	0.95
b	0.25	0.40	0.30
c	0.10	0.18	0.11
D	1.80	2.20	2.15
E	2.00	2.20	2.10
E1	1.15	1.35	1.30
e	0.650 BSC		
e1	1.20	1.40	1.30
F	0.375	0.475	0.425
L	0.25	0.40	0.30
a	0°	8°	--
All Dimensions in mm			

Suggested Pad Layout

Please see <http://www.diodes.com/package-outlines.html> for the latest version.

SOT323



Dimensions	Value (in mm)
C	0.650
G	1.300
X	0.470
Y	0.600
Y1	2.500

IMPORTANT NOTICE

1. DIODES INCORPORATED AND ITS SUBSIDIARIES (“DIODES”) MAKE NO WARRANTY OF ANY KIND, EXPRESS OR IMPLIED, WITH REGARDS TO ANY INFORMATION CONTAINED IN THIS DOCUMENT, INCLUDING, BUT NOT LIMITED TO, THE IMPLIED WARRANTIES OF MERCHANTABILITY, FITNESS FOR A PARTICULAR PURPOSE OR NON-INFRINGEMENT OF THIRD PARTY INTELLECTUAL PROPERTY RIGHTS (AND THEIR EQUIVALENTS UNDER THE LAWS OF ANY JURISDICTION).
2. The Information contained herein is for informational purpose only and is provided only to illustrate the operation of Diodes products described herein and application examples. Diodes does not assume any liability arising out of the application or use of this document or any product described herein. This document is intended for skilled and technically trained engineering customers and users who design with Diodes products. Diodes products may be used to facilitate safety-related applications; however, in all instances customers and users are responsible for (a) selecting the appropriate Diodes products for their applications, (b) evaluating the suitability of the Diodes products for their intended applications, (c) ensuring their applications, which incorporate Diodes products, comply the applicable legal and regulatory requirements as well as safety and functional-safety related standards, and (d) ensuring they design with appropriate safeguards (including testing, validation, quality control techniques, redundancy, malfunction prevention, and appropriate treatment for aging degradation) to minimize the risks associated with their applications.
3. Diodes assumes no liability for any application-related information, support, assistance or feedback that may be provided by Diodes from time to time. Any customer or user of this document or products described herein will assume all risks and liabilities associated with such use, and will hold Diodes and all companies whose products are represented herein or on Diodes’ websites, harmless against all damages and liabilities.
4. Products described herein may be covered by one or more United States, international or foreign patents and pending patent applications. Product names and markings noted herein may also be covered by one or more United States, international or foreign trademarks and trademark applications. Diodes does not convey any license under any of its intellectual property rights or the rights of any third parties (including third parties whose products and services may be described in this document or on Diodes’ website) under this document.
5. Diodes products are provided subject to Diodes’ Standard Terms and Conditions of Sale (<https://www.diodes.com/about/company/terms-and-conditions/terms-and-conditions-of-sales/>) or other applicable terms. This document does not alter or expand the applicable warranties provided by Diodes. Diodes does not warrant or accept any liability whatsoever in respect of any products purchased through unauthorized sales channel.
6. Diodes products and technology may not be used for or incorporated into any products or systems whose manufacture, use or sale is prohibited under any applicable laws and regulations. Should customers or users use Diodes products in contravention of any applicable laws or regulations, or for any unintended or unauthorized application, customers and users will (a) be solely responsible for any damages, losses or penalties arising in connection therewith or as a result thereof, and (b) indemnify and hold Diodes and its representatives and agents harmless against any and all claims, damages, expenses, and attorney fees arising out of, directly or indirectly, any claim relating to any noncompliance with the applicable laws and regulations, as well as any unintended or unauthorized application.
7. While efforts have been made to ensure the information contained in this document is accurate, complete and current, it may contain technical inaccuracies, omissions and typographical errors. Diodes does not warrant that information contained in this document is error-free and Diodes is under no obligation to update or otherwise correct this information. Notwithstanding the foregoing, Diodes reserves the right to make modifications, enhancements, improvements, corrections or other changes without further notice to this document and any product described herein. This document is written in English but may be translated into multiple languages for reference. Only the English version of this document is the final and determinative format released by Diodes.
8. Any unauthorized copying, modification, distribution, transmission, display or other use of this document (or any portion hereof) is prohibited. Diodes assumes no responsibility for any losses incurred by the customers or users or any third parties arising from any such unauthorized use.

Copyright © 2020 Diodes Incorporated

www.diodes.com