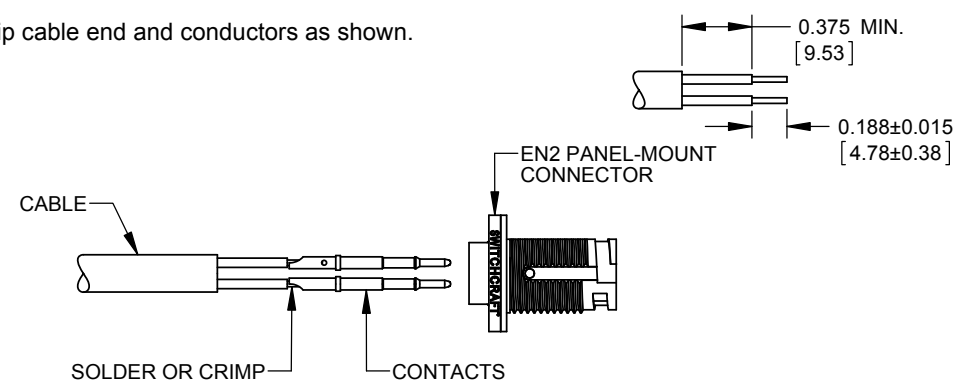


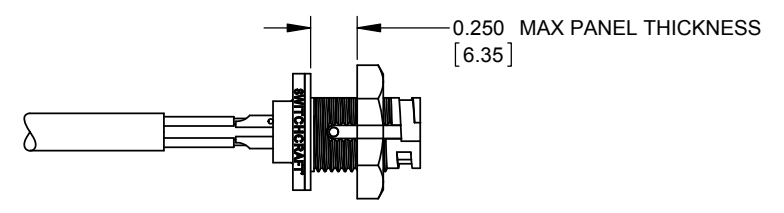
CONTACT ARRANGEMENTS
PANEL CONNECTOR REAR (WIRING SIDE) VIEW

EN2 PANEL CONNECTOR FIELD ASSEMBLY INSTRUCTIONS:

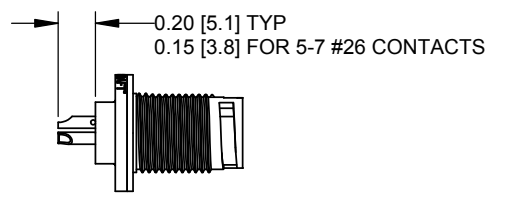
Strip cable end and conductors as shown.



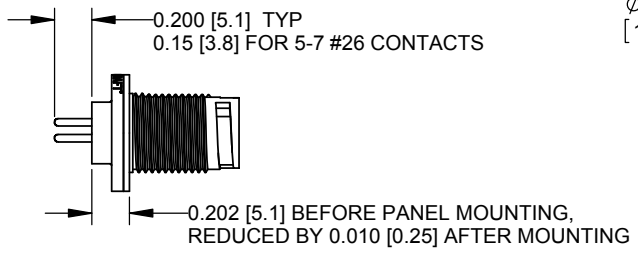
D Soldering or crimping conductors to contacts is recommended before insertion into connector. If crimping, use hand or pneumatic crimp tool with crimp positioner per contact size. If soldering after contacts are inserted in the connector, limit exposure of contacts to soldering iron temperature to 4 sec. maximum. Soldering iron temperature should not exceed 650°F (343°C).



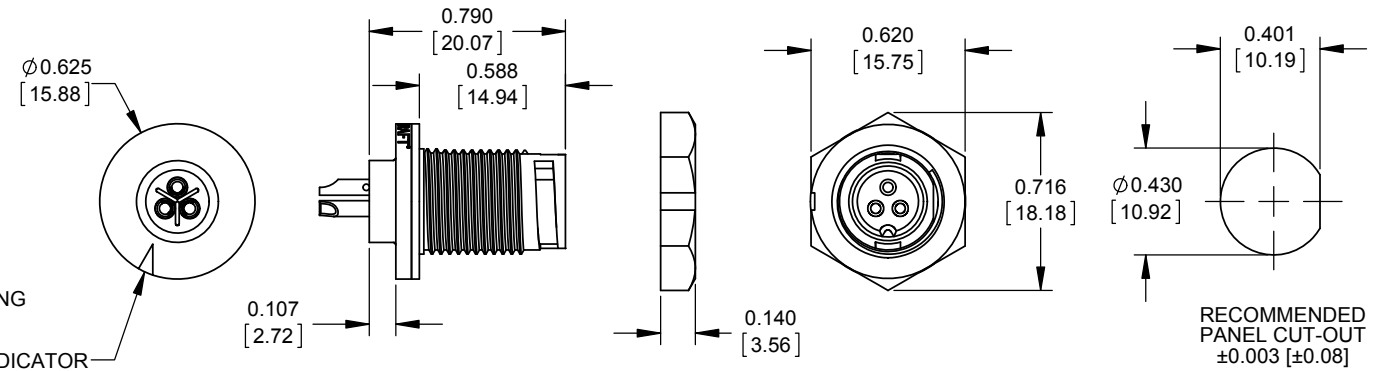
Insert wired contacts into connector housing using an insertion tool and per contacts arrangements. Align and install connector into panel cut-out. Tighten hex nut 5-6 in-lb.



SOLDER OR CRIMP TYPE CONTACTS



PC TAIL TYPE CONTACTS



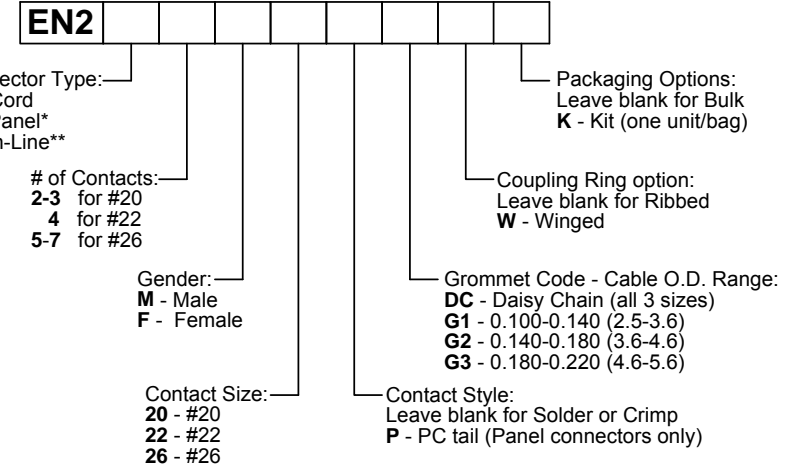
PIN 1 INDICATOR

PIN CONTACTS (MALE)

SOCKET CONTACTS (FEMALE)

* for mating Cord connectors refer to EN2C SERIES drawing.
** Mating In-Line connectors not currently available.

PART NUMBER SCHEME:



SPECIFICATIONS:

MECHANICAL
Life: 600 cycles minimum
Vibration: Mil-Std 202G Method 201A
Hex Nut Tongue: 5-6 in-lb

ELECTRICAL
Voltage Rating: 250 V AC/DC for 2 contact arrangement
125 V AC/DC for 3-7 contact arrangements
Insulation Resistance: 1000 mΩ minimum
Contact Resistance: 10 mΩ maximum
Current Rating: Refer to Current Rating Table

ENVIRONMENTAL
Operating Temperature Limits: -40°C to +85°C (-40°F to +185°F), see Current Rating Table.
Moisture Resistance: Mil-Std 202G Method 106G
Insulation Resistance: Mil-Std 202G Method 302
Thermal Shock: Mil-Std 202G Method 107G
Salt Atmosphere (Corrosion): Mil-Std 202G Method 101E
Wear/tight Ratings: IP16, IP18, IP66, IP67, IP68 per IEC60529
NEMA 250 (6P), CFR 46 Part 110.20

MATERIAL
Connector Housing ----- Thermoplastic, black
Hex Nut: ----- Thermoplastic, black
Coupling Ring ----- Thermoplastic, black
Cable Clamp ----- Thermoplastic, black
Handle (back-shell) ----- Thermoplastic, black
Insulator ----- Elastomer, black
Seal Grommet ----- Elastomer, black
Contacts ----- Copper Alloy, plated

Contacts	Wire (awg)	Current Rating (A) at Operating Temperature (°C)				
		45°C max.	55°C max.	65°C max.	75°C max.	85°C max.
2 #20	20	7	6	5	4	3.5
	22	5.5	5	4	3	2.5
	24	5.5	5	4	3	2.5
	26	4	3.5	2.5	2	1
3 #20	20	6.5	5.5	4.5	3.5	2
	22	5	4.5	3.5	3	1.5
	24	5	4.5	3.5	3	1.5
	26	3	2.5	2	1.5	0.5
4 #22	20	5	4.5	3.5	3	1.5
	22	4.5	4	3	2	1
	24	4.5	4	3	2	1
	26	3	2.5	2	1.5	0.5
5-7 #26	26	3	2.5	2	1.5	1
	28	2.5	2	1.5	1	0.5
	30	2	1.5	1	0.5	0.5

TOOL	TOOL TYPE	POSITIONER	CONTACT SIZE	WIRE SIZES
EN3CR	HAND CRIMP TOOL	EN2POS20	20 and 22	20 and 22 AWG
		EN3POS26	26	26, 28, and 30 AWG
EN3CRAUTO	PNEUMATIC CRIMP TOOL	EN2POS20	20 and 22	20 and 22 AWG
		EN3POS26	26	26, 28, and 30 AWG
EN2CRL	HAND CRIMP TOOL LARGE FRAME	EN2POS20L	20 and 22	20, 22, 24, and 26 AWG
EN2CRAUTOL	PNEUMATIC CRIMP TOOL LARGE FRAME			
EN3INS20	CONTACT	--	20 and 22	--
EN3INS26	INSERTION/EXTRACTION	--	26	--

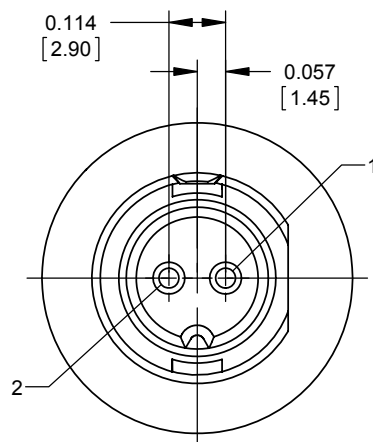
ALL DIMENSIONS FOR REFERENCE ONLY

REV	ECO NUMBER	DATE	BY	APVD
0D	SPECS UPDATED	10/03/13	PNK	SRC
0C	SPECS UPDATED	09/20/12	PNK	SRC
0B	TOOLS REVISED	05/14/12	PNK	*
0A	PRELIMINARY	02/09/12	PNK	*
REVISIONS				

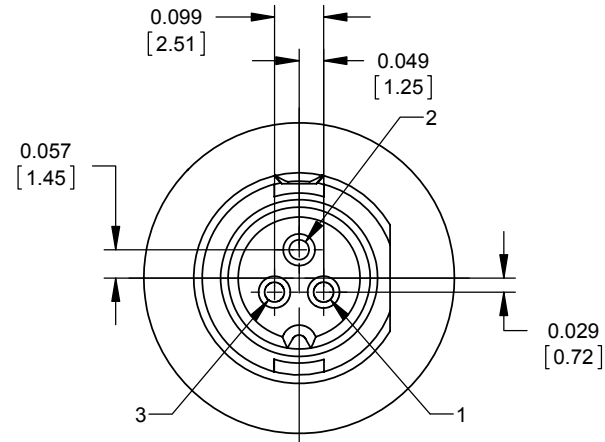
SIZE	WIDTH	MULT	LBS/M	TEMPER
UNLESS OTHERWISE SPECIFIED				
1. ALL DIMENSIONS IN INCHES				
- TWO PLACE DECIMALS ±0.02				
- THREE PLACE DECIMALS ±0.005				
FINISH SPEC No.	FIRST USED ON		SCALE 1.5:1	
DATE DRAWN	BY	CHKD	APVD	MATERIAL SPEC No.
02/09/12	PNK	PNK	SRC	
NAME				PART No.
EN2P SERIES CONNECTORS, RoHS				EN2P SERIES
DO NOT SCALE DRAWING				REV 0D

CUSTOMER DRAWING

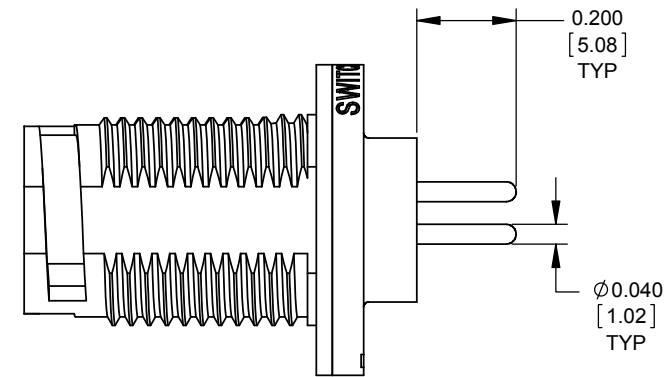




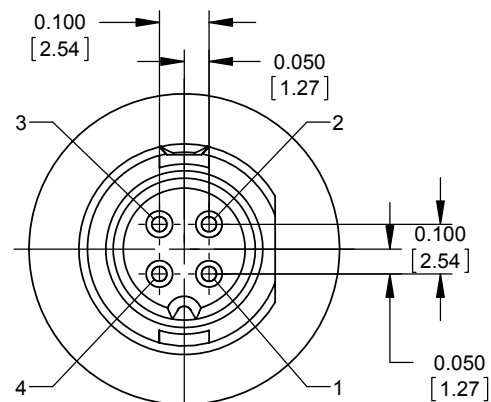
2-#20



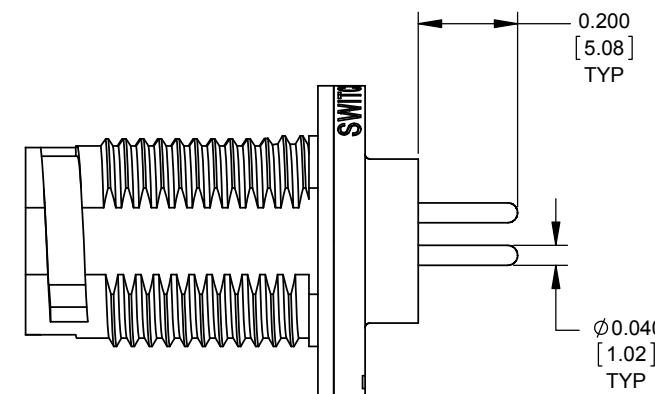
3-#20



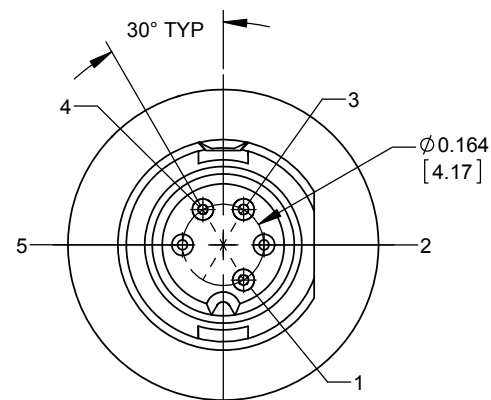
**2 and 3-#20
PIN ARRANGEMENTS
(0.046 [1.17] RECOMMENDED PCB HOLE SIZE)**



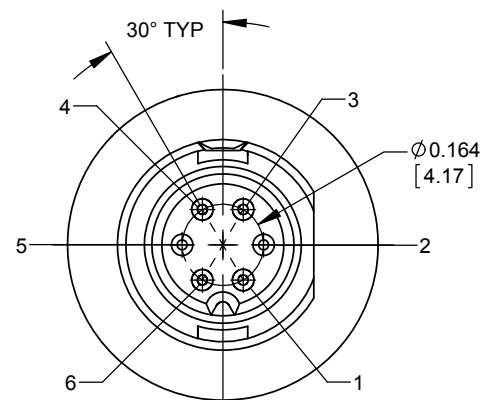
4-#22



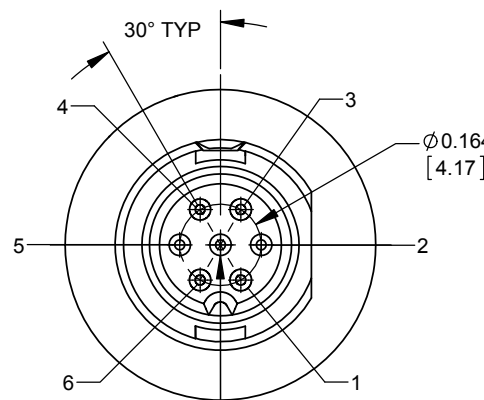
**4-#22
PIN ARRANGEMENT
(0.046 [1.17] RECOMMENDED PCB HOLE SIZE)**



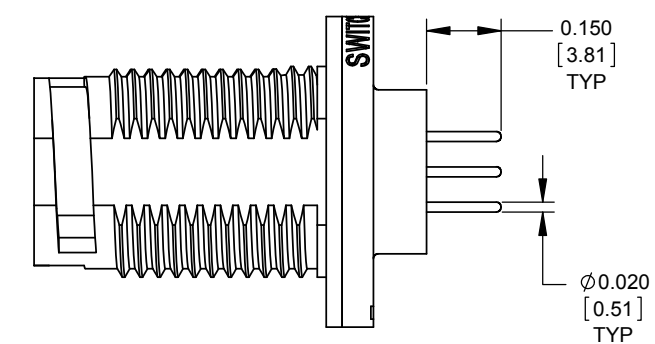
5-#26



6-#26



7-#26



**5, 6, and 7-#26
PIN ARRANGEMENTS
(0.026 [0.66] RECOMMENDED PCB HOLE SIZE)**

**CONTACT ARRANGEMENTS
PANEL CONNECTOR FRONT VIEW (PCB COMPONENT SIDE)
(RECOMMENDED PCB HOLE LAYOUT WITHIN ±0.001 [0.025])**

CUSTOMER DRAWING

UNLESS OTHERWISE SPECIFIED					THIS DRAWING DESCRIBES A DESIGN CONSIDERED PROPRIETARY IN NATURE, DEVELOPED AND MANUFACTURED BY SWITCHCRAFT INC. AND IS RELEASED ON A CONFIDENTIAL BASIS FOR IDENTIFICATION PURPOSES ONLY.				
1. ALL DIMENSIONS IN INCHES - TWO PLACE DECIMALS ±0.02 - THREE PLACE DECIMALS ±0.005					SIZE	WIDTH	MULT	LBS/M	TEMPER
					FINISH			MATERIAL	
					SPEC No.			SPEC No.	
					FIRST USED ON			SCALE	
					1.5:1			Switchcraft®	
OD	SPECS UPDATED	10/03/13	PNK	SRC	DATE DRAWN	BY	CHKD	APVD	
REV	ECO NUMBER	DATE	BY	APVD	02/09/12	PNK	PNK	SRC	
REVISIONS					PART No. EN2P SERIES CONNECTORS, RoHS				
DO NOT SCALE DRAWING					SHEET 2 OF 2				
					REV 0D				