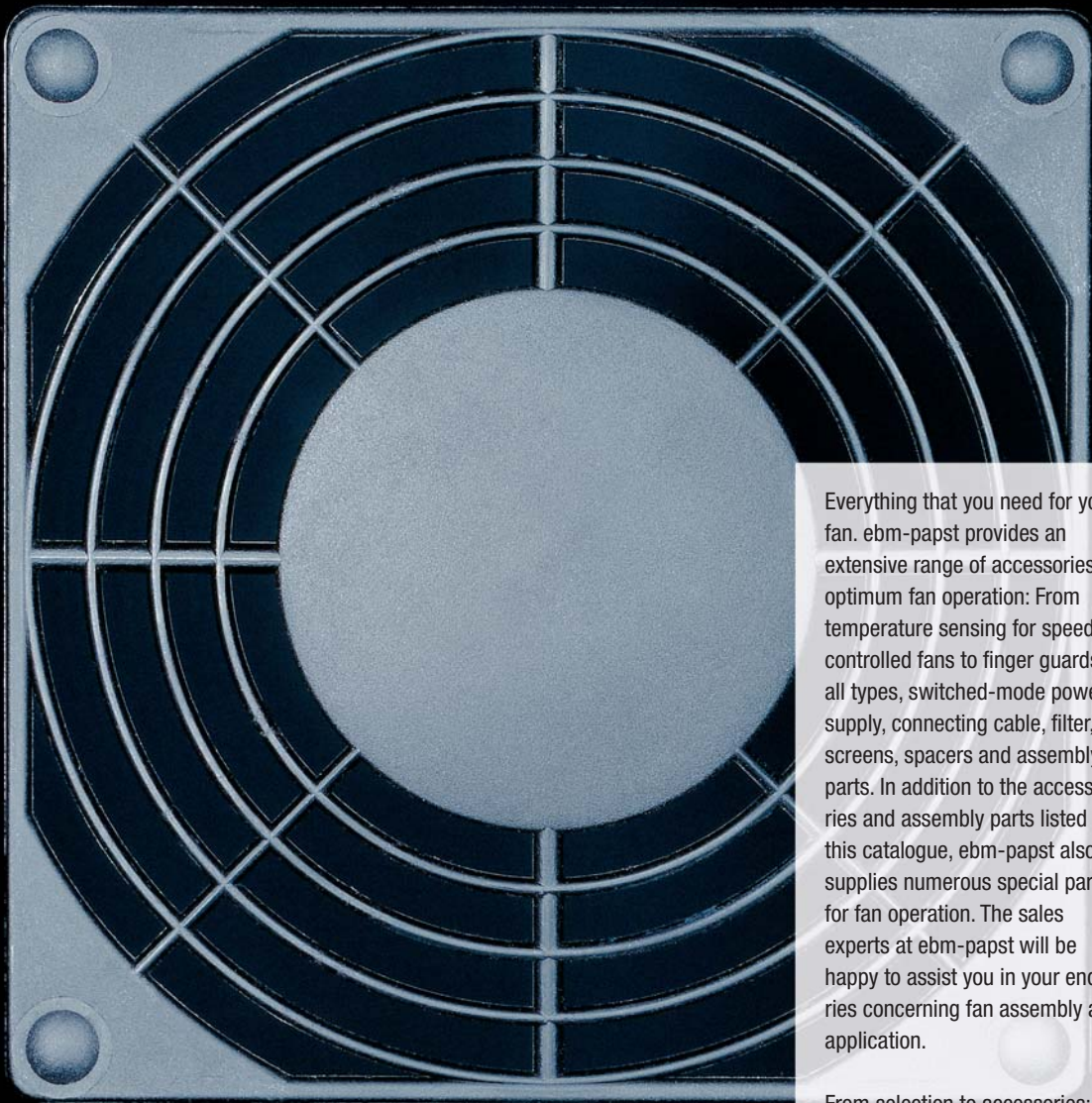


Finger Guards	134
Filter Guards grille	139
Accessories	140



Everything that you need for your fan. ebm-papst provides an extensive range of accessories for optimum fan operation: From temperature sensing for speed-controlled fans to finger guards of all types, switched-mode power supply, connecting cable, filter, screens, spacers and assembly parts. In addition to the accessories and assembly parts listed in this catalogue, ebm-papst also supplies numerous special parts for fan operation. The sales experts at ebm-papst will be happy to assist you in your enquiries concerning fan assembly and application.

From selection to accessories: Insist on the efficient and reliable service provided by ebm-papst.

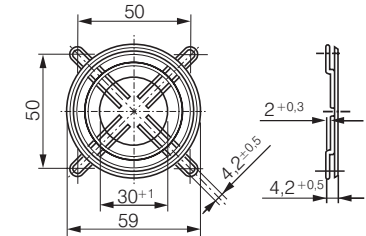
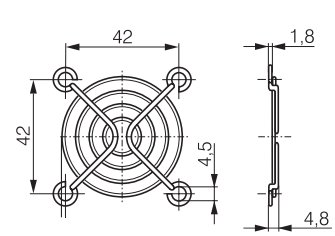
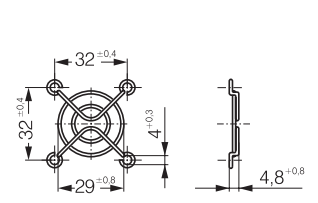
Finger Guards



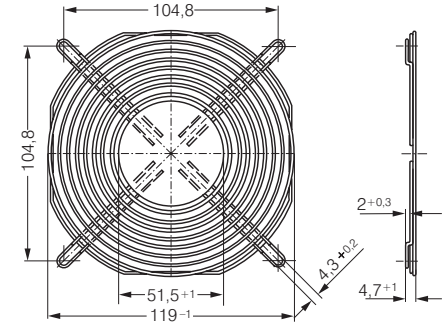
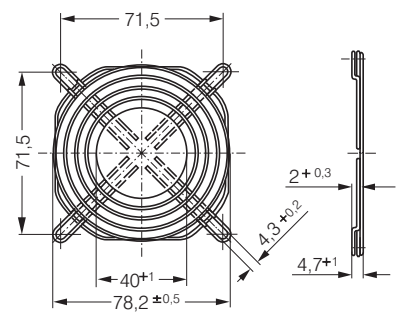
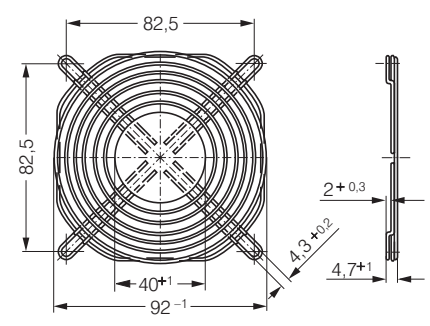
- Finger guards as per EN 294, of rust-proof steel wire for equipment fans.
- Further finger guards that do not conform to EN 294 can be supplied on request.

Fan series	Finger Guards
400	LZ29-1
500	LZ31
600	LZ28-1
3000	LZ23-1
8000	LZ32-4
9000	LZ30-4
4000	LZ30-4

LZ29-1 Fan size 40 x 40 **LZ31** Fan size 50 x 50 **LZ28-1** Fan size 60 x 60

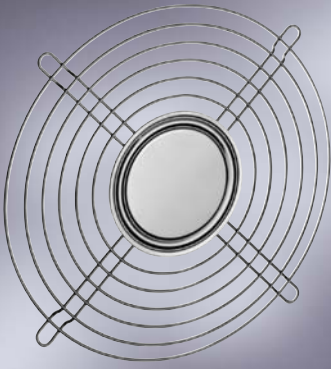


LZ23-1 Fan size 92 x 92 **LZ32-4** Fan size 80 x 80 **LZ30-4** Fan size 119 x 119



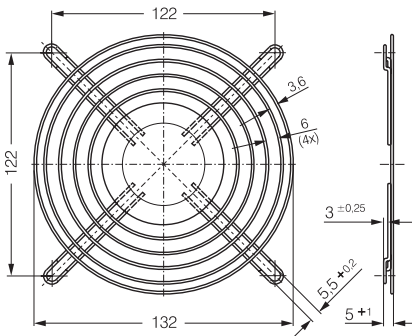
Finger Guards

- Finger guards as per EN 294, of rust-proof steel wire for equipment fans.
- Further finger guards that do not conform to EN 294 can be supplied on request.

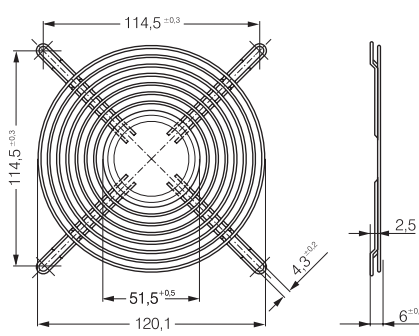


Fan series	Finger Guards	Fan series	Finger Guards	
5100	LZ25	DV 6200	LZ37	suction face
5600	LZ25	DV 6200	LZ39	blade face
5200	LZ35	DV 6400	LZ38	suction face
5900	LZ35	DV 6400	LZ39	blade face
7000	LZ36			
6200	LZ37			
6400	LZ38			

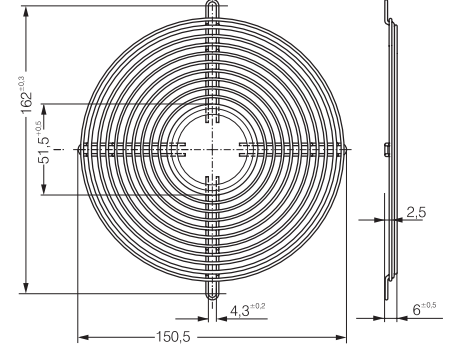
LZ25 Fan size 135 x 135



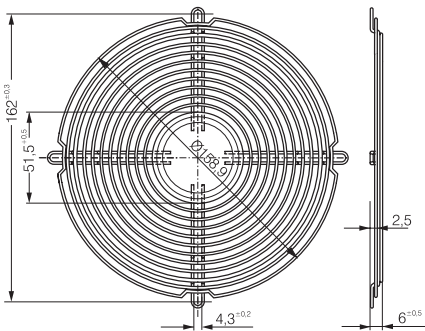
LZ35 Fan size 127 x 127



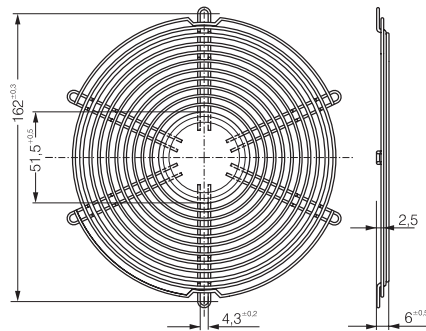
LZ36 Fan size 150 x 172



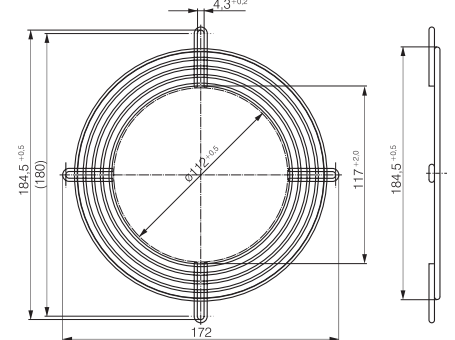
LZ37 Fan size 172 Ø x 51



LZ38 Fan size 172 Ø x 51

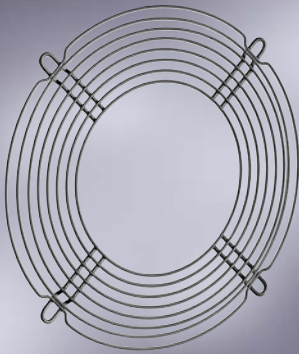


LZ39 Fan size 172 Ø x 51



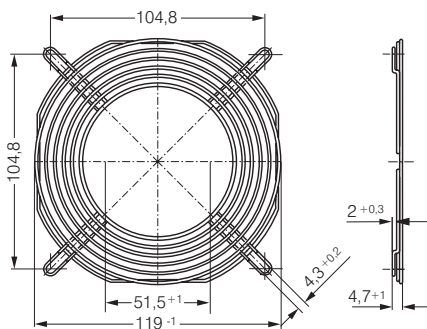
ACmaxx Axial Fans Finger Guards

– Finger guards as per EN 294, of rust-proof steel wire for equipment fans.

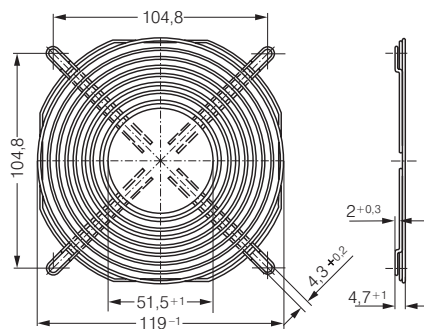


Fan series	Finger Guards	
AC 4300 H	LZ30-4	suction face
AC 4300 H	LZ30-9	blade face
AC 6200 NM	LZ37	suction face
AC 6200 NM	LZ37-2	blade face

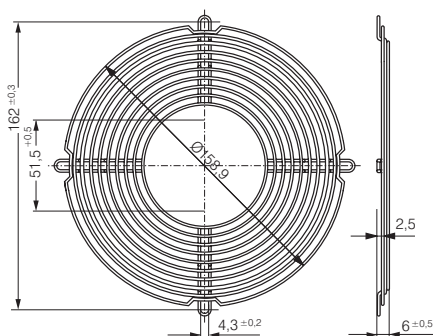
LZ30-9 Fan size 119 x 119



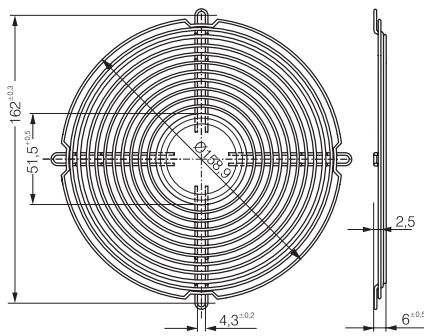
LZ30-4 Fan size 119 x 119



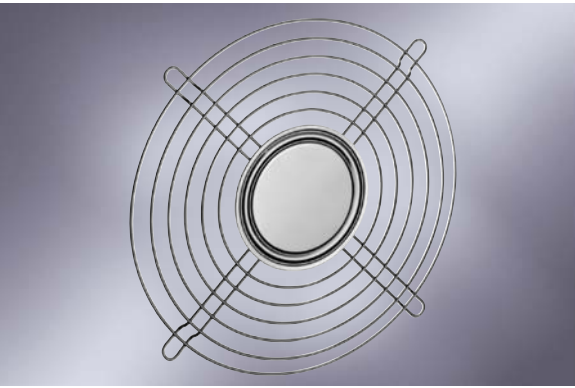
LZ37-2 Fan size 172 Ø X 52



LZ37 Fan size 172 Ø x 51



Finger Guards

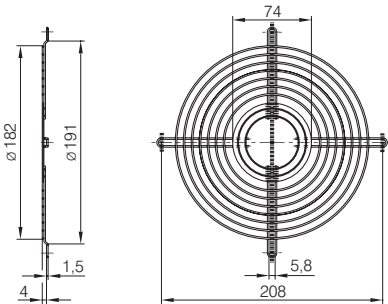


- Size 180: galvanised steel wire, chromatised in blue.
- Size 200 / 208 / 250: steel wire, plastic coated, silver metallic gloss.

Fan series	Finger Guards	Fan series	Finger Guards
W1G 180	26388-2-4039	W4S 200	78128-2-4039
W1G 200	78128-2-4039	W2E 208	35139-2-4039
W1G 208	35139-2-4039		35138-2-4039
	35138-2-4039	W2D 208	35139-2-4039
W1G 250	09418-2-4039		35138-2-4039
W2E 200	78128-2-4039	W2E 250	09418-2-4039

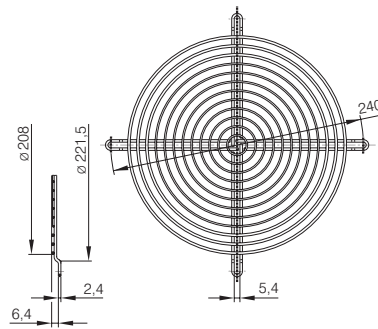
26388-2-4039

Size 180



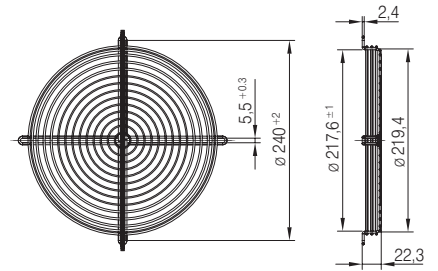
78128-2-4039

Size 200



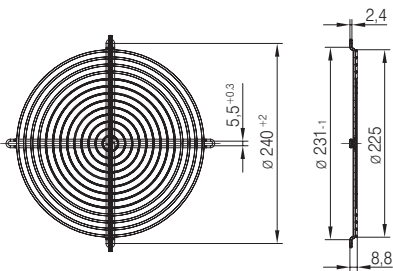
35139-2-4039

Size 208



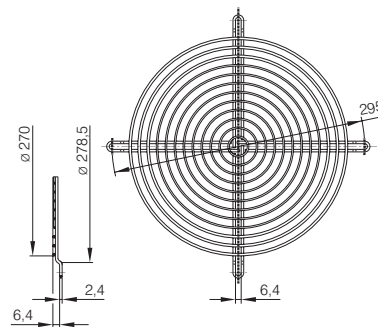
35138-2-4039

Size 208

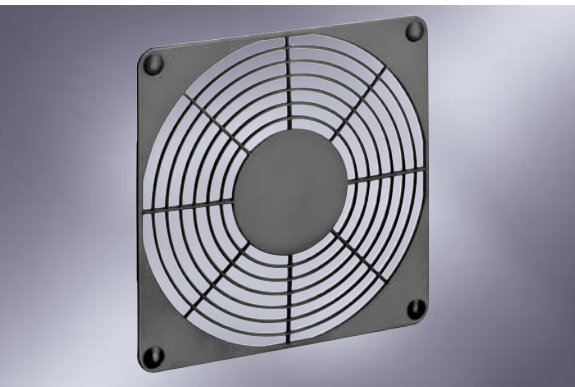


09418-2-4039

Size 250

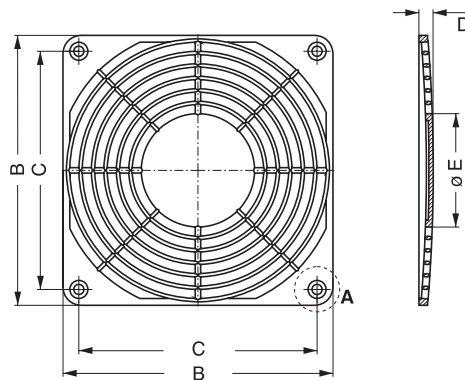


Finger Guards

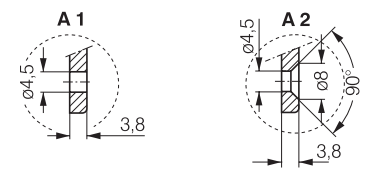


– Finger guards of black, fibreglass reinforced plastik (conform to EN 294).

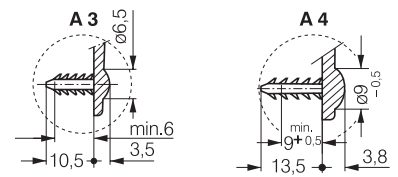
Fan series	Finger Guards	Fan series	Finger Guards	Finger Guards	Mounting	B	C	D	E
8000	LZ32-2	4000	LZ30-5	LZ32-2	A1	80 ^{-0,5}	71,5 ^{±0,2}	7.0	34
8000	LZ32-3	4000	LZ30-6	LZ32-3	A3	80 ^{-0,5}	71,5 ^{±0,2}	7.0	34
3000	LZ23-2	5200	LZ33-1	LZ23-2	A1	92,5 ^{-0,5}	82,5 ^{±0,2}	6.5	46
3000	LZ23-3	5200	LZ33-2	LZ23-3	A3	92,5 ^{-0,5}	82,5 ^{±0,2}	6.5	46
9000	LZ30-5	5900	LZ33-1	LZ30-5	A2	119 ^{-0,5}	105 ^{±0,2}	6.5	50
9000	LZ30-6	5900	LZ33-2	LZ30-6	A4	119 ^{-0,5}	105 ^{±0,2}	6.5	50
				LZ33-1	A2	127 ^{-0,5}	113,5 ^{±0,2}	6.5	50
				LZ33-2	A4	127 ^{-0,5}	113,5 ^{±0,2}	6.5	50



Screw connection

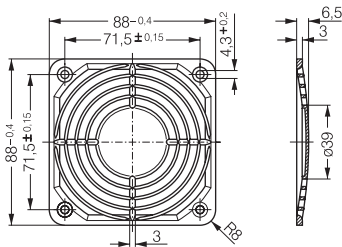


Barbed inserts



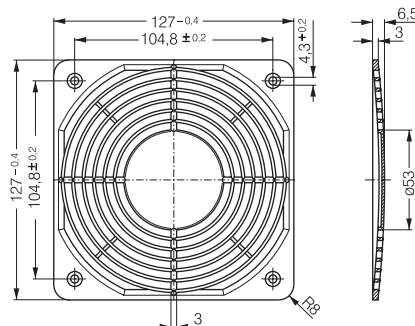
LZ32P

Fan size 80 x 80



LZ30P

Fan size 119 x 119



Fan Filter Guards



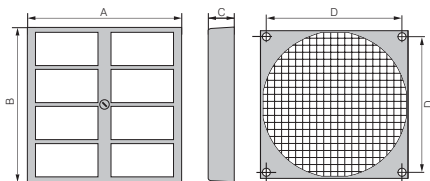
- Fan filter guards for installation on axial fan series for sizes 60 mm, 80 mm, 92 mm, 119 mm, 172 mm. All filter units fit directly onto the existing installation holes on the fans.
- Fan filter guards consist of 3 parts: the outer grille, the inner fastening plate and the replaceable filter mat.
- Grille is molded of polycarbonate (PC) with a matt surface.
- A quick-release on the grille allows for quick and easy filter mat replacement.
- Wire-mesh fastening plate, black powder coating.
- Filter mat replacement can be performed on running fans, welded wire-mesh protection.
- Filter mat made of white, synthetically bonded fibers.

Protection Filter	Fan size	A	B	C	D
FF60	60 x 60 mm	65	65	13.5	50.0
FF80	80 x 80 mm	85	85	14.0	71.5
FF92	92 x 92 mm	125	105	17.5	82.5
FF119	119 x 119 mm	162	136	18.5	104.8
FF172	∅ 172 mm	226	190	19.5	162.0

Replacement filter mats on request.

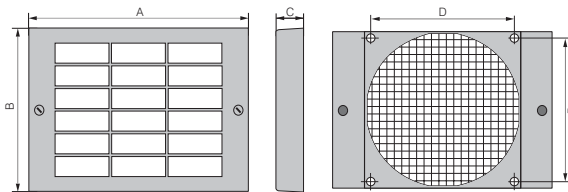
FF60 / FF80

Fan size: 60 x 60 mm
80 x 80 mm



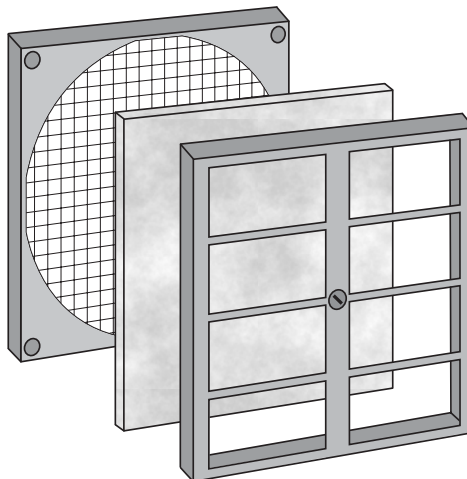
FF92 / FF 119 / FF 172

Fan size: 92 x 92 mm
119 x 119 mm
∅ 172 mm

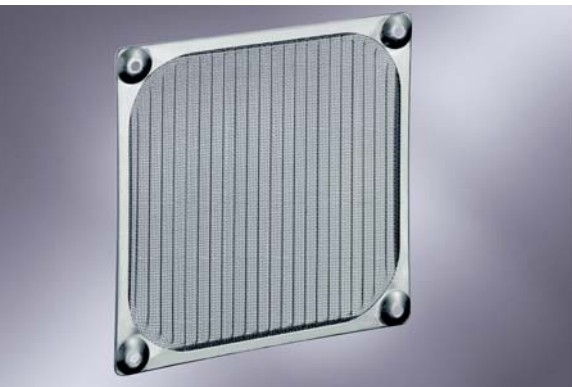


Filter capacity

A fan filter guard filters out up to 75% of dust particles up to a size of 5-10 microns and withstands temperatures of up to 100°C. Flame retardant in accordance with BS2963. For installed, clean filters, an air flow reduction of 20 – 30% can be assumed.

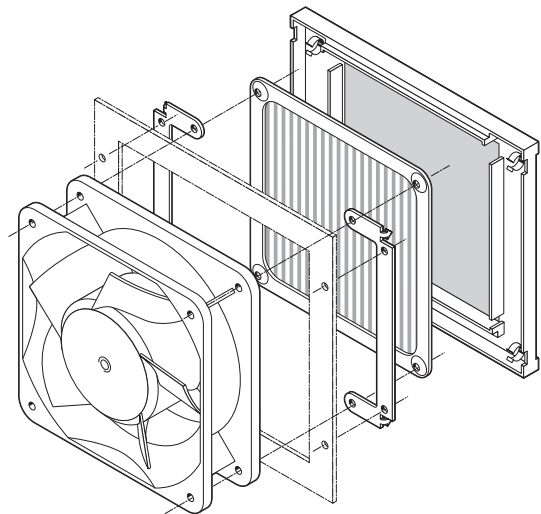


Accessories

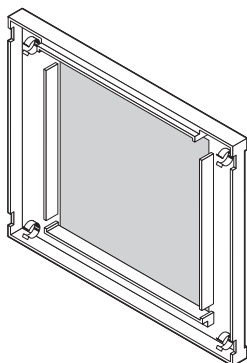


In addition to the accessories and assembly parts listed in this catalogue, ebm-papst also supplies numerous special parts for fan operation. The sales experts at ebm-papst will be happy to assist you in your enquiries concerning fan assembly and application.

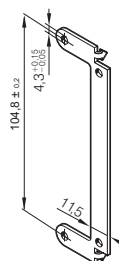
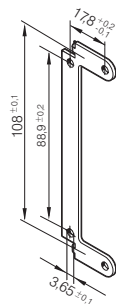
Fan series DC	Fan series AC
4400 F	AC 4300
4400 FN	9900
4300	4000 N
4300 N	4000 Z
4400	
4200	
4100 N	



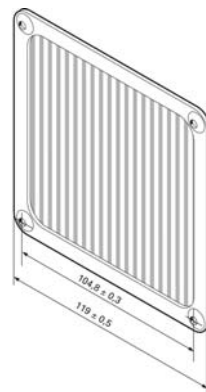
LZ40N Screen



LZ40-1 Bracket

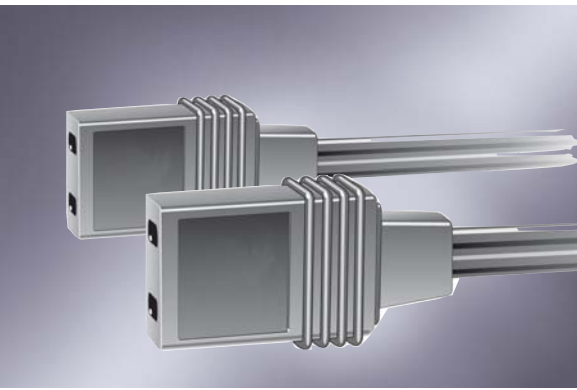


LZ60 Filter



Accessories

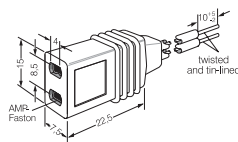
In addition to the accessories and assembly parts listed in this catalogue, ebm-papst also supplies numerous special parts for fans. The sales experts at ebm-papst will be happy to assist you in your enquiries concerning fan assembly and application.



Fan series	Accessories
8300	LZ212
8300	LZ260
8400 N	LZ261
3300	LZ212
3300	LZ260
3400 N	LZ261
9000	LZ210
4000	LZ210

Fan series	Accessories
4300 / 8300	LZ212
4300	LZ260
5100	LZ210
5600	LZ210
5200	LZ210
5900	LZ210
7000	LZ210
VARIOFAN	LZ370

LZ120

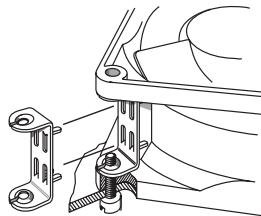


Type	Cable length	Pins
LZ120	610 mm	0.5 mm
LZ126	1000 mm	0.5 mm
LZ130-1	610 mm, UL approved	0.5 mm

Additional versions are available on special order

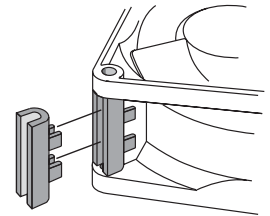
Cable connection with injection molded plug (PVC, black). Strands with core-end sleeves in accordance with DIN 46228. For all fan types with flat plugs of 2.8 / 3.0 x 0.5 mm.

LZ212



Screw clip of stainless steel. For mounting fans with threaded pin 3.5 DIN 7970.

LZ260 / LZ261



Spacer of fibreglass reinforced plastic. For screw mounting over both fan mounting flanges.

LZ210



Screw clip of hardened steel. For mounting fans with threaded pin 6-32 UNC and/or 3.5 DIN 7970.

LZ370

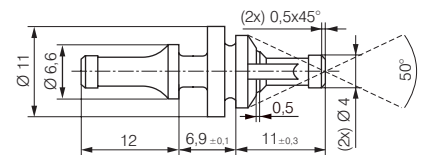


Required performance data:

R_{25}	= 100 $K\Omega \pm 5\%$ @25°C
B-value	= 4190 $\pm 2\%$
P_{max}	= 0,25 W

Temperature sensor for speed-controlled fan operation. Temperature range 30...50 °C.

LZ550



Rubber anti vibration mounts for fans with a hole \varnothing of 4.3 ± 0.2 mm and flange thickness of 3 - 5.5 mm. For a carrier plate with a hole \varnothing of 6.5 ± 0.15 mm and plate thickness of 1 - 2 mm.