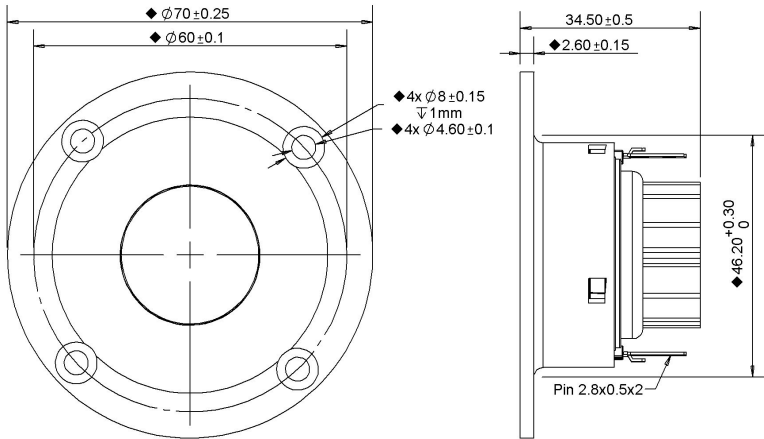


- Neodymium Motor
- Ferrofluid Filled Motor
- Fabric Diaphragm
- High Sensitivity
- Enhanced Voice Coil Cooling

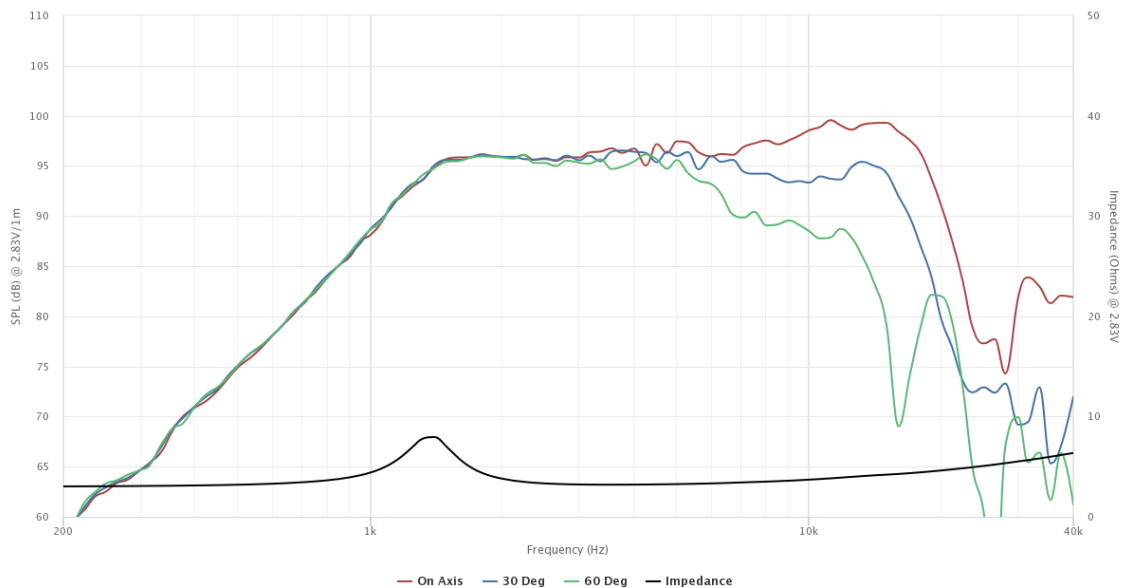


SPECIFICATIONS

Transducer Size	1	in	
Impedance	4	Ω	
Frequency Range ¹	2000 - 20000	Hz	
Sensitivity ² (2.83V 1W @ 1m)	96.5 93.5	dB	
Power Rating (IEC 268-5)	50	W	
Voice Coil Size	24.5	mm	
Air Gap Winding Height	$H_{ag} H_{vc}$	2 2	mm
Net Weight	0.069	kg	

PARAMETERS ³

Eff. Piston Area	S_d	4.91	cm ²
DC Resistance	R_e	2.9	Ω
Minimum Impedance	Z_{min}	3.2	Ω
Inductance	L_e	0.025	mH
Resonance Frequency ⁴	F_s	1400	Hz
Mechanical Q Factor	Q_{ms}	3.98	-
Electrical Q Factor	Q_{es}	2.07	-
Total Q Factor	Q_{ts}	1.4	-
Moving Mass	M_{ms}	0.312	g
Compliance	C_{ms}	43	$\mu m/N$
Equivalent Volume	V_{as}	0.002	L
Motor Force Factor	Bl	1.94	Tm
Motor Efficiency	β	1.3	(Bl) ² / R_e
Linear Excursion ⁵	X_{max}	0.667	mm



Details on this spec sheet are for reference only and should not be used for setting production limits. Specifications and product cosmetics are subject to change without notice. Peerless is a registered trademark of Tympany Enterprises. All measurements conducted in test lab at 25°C ±10°C, 50%RH ±10%. ¹ Specified by Engineering as linear working range of transducer. ² Measured at 2.83V at 1m and normalized to 1W with respect to nominal impedance. ³ Measured in Free Air without preconditioning, therefore subject to some deviation. ⁴ Impedance and F_s value measured under different conditions. ⁵ Equal/Overhung: $(H_{vc} - H_{ag})/2 + H_{ag}/3$. Underhung: $(H_{ag} - H_{vc})/2 + H_{vc}/3$. ⁶ Mechanically limited excursion (e.g. bottoming, spider crash).