

**NOTES:**

1. MATERIALS: HOUSING - LIQUID CRYSTAL POLYMER (LCP), GLASS-FILLED, 94V-0, COLOR: BLACK  
TERMINALS - COPPER ALLOY
2. FINISH: GOLD (Au) .76 MICROMETER MINIMUM THICKNESS IN CONTACT AREA; SELECTIVE TIN (Sn) 2.50 MINIMUM THICKNESS ON SOLDER TAILS, .88 MINIMUM THICKNESS ON PRESS-FIT TAILS, NICKEL (Ni) OVERALL.
3. THIS PART CONFORMS TO MOLEX PRODUCT SPECIFICATION PS-73780-999.
4. 144-CKT DAUGHTERCARD STACKING MODULE SHOWN FOR ILLUSTRATION PURPOSES ONLY. SEE CHART FOR TABULATED DIMENSIONS.
5. 74300-\*\*\*7 PARTS TO BE PACKAGED IN TUBES PER PK-70873-0872. ALL OTHER PARTS TO BE PACKAGED IN TUBES PER PK-70873-0900.
6. DEPENDING ON APPLICATION, THIS HOLE MAY BE NEEDED FOR CLEARANCE OF BACKPLANE GUIDE PIN. LOCATION OF HOLE WILL DEPEND ON LOCATION OF GUIDE PIN.
7. TRUE POSITION OF PC TAILS IS INSPECTED USING GAUGE NUMBER 73727-0014.

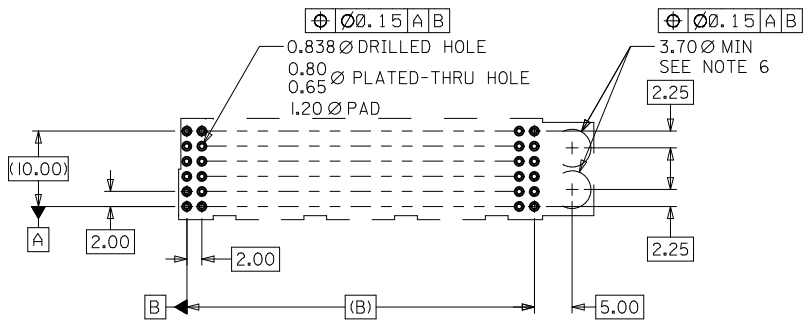
**MATERIAL NUMBER ASSIGNMENT**

74300 - \* | \* \*

- 0 = 72-CKT SOLDER TAIL  
 1 = 144-CKT SOLDER TAIL  
 7 = 72-CKT PRESS-FIT  
 8 = 144-CKT PRESS-FIT
- DIM "H"  
 3 = 13.0  
 4 = 14.0  
 5 = 15.0  
 6 = 16.0  
 7 = 17.0

- DIM "P"  
 2 = 2.00  
 3 = 2.50  
 \*4 = 3.00  
 \*5 = 3.50  
 \*6 = 4.00

\*PRESS-FIT AVAILABLE IN THESE TAIL LENGTHS ONLY



PCB LAYOUT: COMPONENT SIDE

74300-11**/-81**	144	48.17	46.00	54.95
74300-01**/-71**	72	24.17	22.00	30.95
MATERIAL NUMBER	CIRCUIT SIZE	DIM A	DIM B	DIM C

UPDATE TO L.F. ONLY  
 EC NO: UCP2010-1860  
 DRWN: JELTON 2010/01/25  
 CHKD: SDANNELLEY 05/07/07  
 APPR: SMILLER 2010/02/08

QUALITY SYMBOLS ▽=0 ▽=0 ▽=0	GENERAL TOLERANCES (UNLESS SPECIFIED)		DIMENSION STYLE <b>MM ONLY</b>		SCALE	DESIGN UNITS <b>METRIC</b>	THIRD ANGLE PROJECTION
	mm	INCH	DRAWN BY	DATE	TITLE	SALES ASSY, HDM PB FREE DAUGHTERCARD STACKING MODULE, GUIDE OPTION	
	4 PLACES ± ---	± ---	MIBARRA	05/07/07			
	3 PLACES ± ---	± ---	CHECKED BY	DATE			
2 PLACES ± 0.05	± ---	BSMART	05/07/07		MOLEX INCORPORATED		
1 PLACE ± 0.10	± ---	APPROVED BY	DATE				
ANGULAR ±1/2°		MATERIAL NO.	DOCUMENT NO.		SHEET NO.		
DRAFT WHERE APPLICABLE MUST REMAIN WITHIN DIMENSIONS		SEE TABLE		SD-74300-004		1 OF 1	
THIS DRAWING CONTAINS INFORMATION THAT IS PROPRIETARY TO MOLEX INCORPORATED AND SHOULD NOT BE USED WITHOUT WRITTEN PERMISSION							