



5 Watt Interchangeable Plug Series PSAC05R Adapter



Interchangeable clips sold separately

Features

- Double Insulated
- Field Changeable AC Plugs
- Efficiency Level VI Compliance
- Low Leakage Current
- Low Cost
- Class B EMI

Applications

- MPEG Players
- PDA
- Personal Electronics
- Digital Camera

Safety Approvals

- UL/cUL 60950-1
- UL/cUL 62368-1
- AS/NZ 60950-1
- IEC60950-1
- IEC62368-1
- CE

Mechanical Characteristics

- Length: 71.7mm (2.82in)
- Width: 45mm (1.77in)
- Height: 29.79mm (1.17in)
- Weight: 120g (4.2oz)

Output Specifications

| Model | DC Output Voltage | Load | | Ripple ¹ P-P(max) | Output Cable |
|------------------|-------------------|------|------|------------------------------|--------------|
| | | Min. | Max. | | |
| PSAC05R-050L6-R | 5V | 0A | 1.0A | 200mV | Barrel |
| PSAC05R-050L6M-R | 5V | 0A | 1.0A | 200mV | Micro-b |
| PSAC05R-050L6B-R | 5V | 0A | 1.0A | 200mV | Mini-b |

Notes:

1. Measured by using a 12in. twisted pair terminated with a 10uF EC capacitor and a 0.1uF ceramic in parallel

INPUT:**AC Input Voltage Rating**

100 to 240V AC

AC Input Voltage Range

90 to 264V AC

AC Input Frequency

47 to 63Hz

Input Current0.3A (RMS) max at 115V AC/max load
0.15A (RMS) max at 230V AC/max load**Leakage Current**

5uA max at 240V AC, 50Hz

Inrush Current<30A for 240V AC at max load
(Cold start at ambient 25°C)**Input Power Saving**

0.075W

OUTPUT:**Output Power**

5W

Efficiency²DOE Level VI
ErP 2009/125/EC (EU 2019/1782).**Ripple**

200mV max

ENVIRONMENTAL:**Temperature**

Operation 0 to +40°C

Non-operation -40 to +85°C

Humidity 90%RH Max

Emissions

Complies with FCC Class B

Complies with EN55032 Class B

AS/NZS 3548

ImmunityEN50082-1: EN 61000-4-2, Level 4
Air Discharge +/-15KV ; Contact +/- 8KV
EN 61000-4-5, Level 3,1KV**Dielectric Withstand (Hi-pot) Test**Primary to Secondary: 3000V AC 10mA, 1
minute**FEATURES:****Short-Circuit Protection**The output can be shorted permanently without
damage whenever it operates within input
voltage range and temperature range specified in
this specification .Output current not exceed
0.95A (RMS).**Over-Voltage Protection**

No to exceed 7.2V DC

Over-Current Protection

Not to exceed 1.2A (RMS)

DC Output Connector2.1 x 5.5 center positive standard (P model)
Micro-B USB (L6M model)
Mini-B USB (L6B model)**AC Input Clips (sold separately)**

RPA – US

RPB – Brazil

RPC – China

RPE – Europe

RPH – Korea

RPI – India

RPK – UK

RPN – Argentina

RPS – Australia

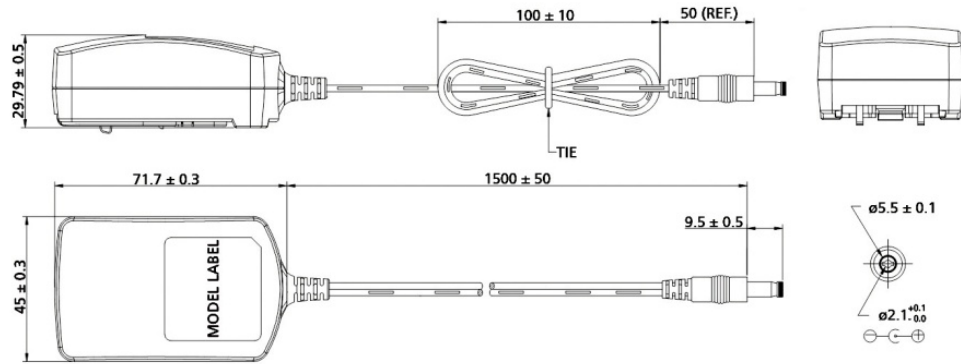
RPX – IEC320 C8

Notes:

1. The characteristics defined are at ambient temperature of 25°C unless otherwise specified
2. Efficiency is measured after 30 minutes burn-in

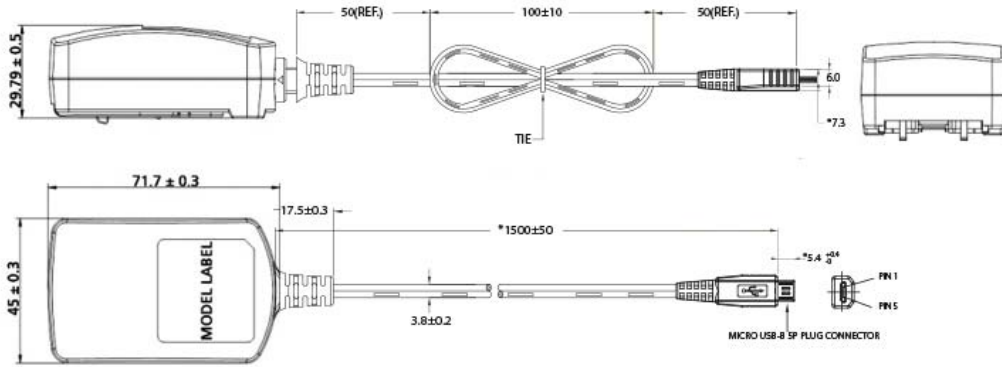
PSAC05R-050L6 -R

Dimension Diagram Unit: mm



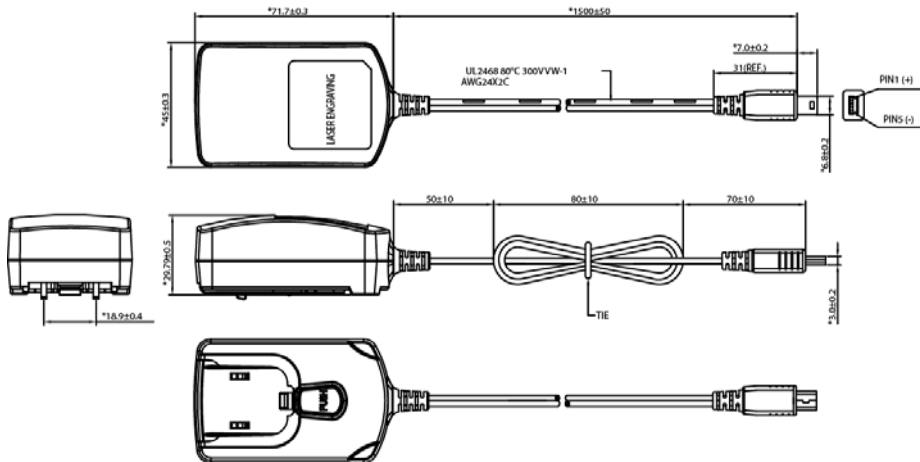
PSAC05R-050L6M-R

Dimension Diagram Unit: mm



PSAC05R-050L6B-R

Dimension Diagram Unit: mm



Supplier's Declaration of Conformity
47 CFR § 2.1077 Compliance Information

Phihong USA Corporation
47800 Fremont Boulevard
Fremont, CA 94538
Telephone: (510) 445-0100
www.phihong.com

NOTE: This model has/The models in this products series have been tested and found to comply with the limits for a Class B digital device, pursuant to part 15 of the FCC Rules. These limits are designed to provide reasonable protection against harmful interference in a residential installation. This equipment generates, uses and can radiate radio frequency energy and, if not installed and used in accordance with the instructions, may cause harmful interference to radio communications. However, there is no guarantee that interference will not occur in a particular installation. If this equipment does cause harmful interference to radio or television reception, which can be determined by turning the equipment off and on, the user is encouraged to try to correct the interference by one or more of the following measures:

- Reorient or relocate the receiving antenna.
- Increase the separation between the equipment and receiver.
- Connect the equipment into an outlet on a circuit different from that to which the receiver is connected.
- Consult the dealer or an experienced radio/TV technician for help.

Changes or modifications to equipment not expressly approved by PHIHONG could void the user's authority to operate the equipment.