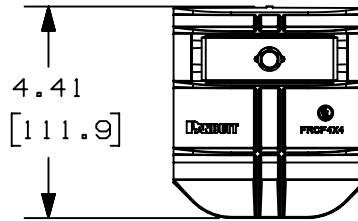
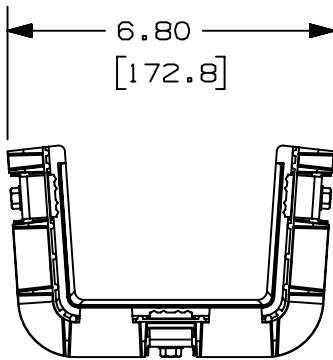
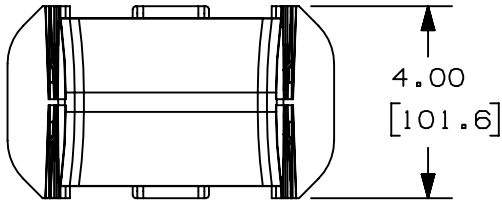


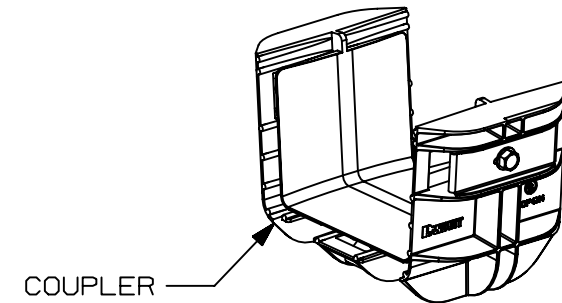
THIS COPY IS PROVIDED ON A RESTRICTED BASIS AND IS NOT TO BE USED IN ANY WAY DETRIMENTAL TO THE INTERESTS OF PANDUIT CORP.

NOTES:

1. SEE CURRENT CATALOG FOR ADDITIONAL PART SUFFIXES TO INDICATE COLOR AND/OR PACKAGE QUANTITY.
2. DIMENSIONS IN PARENTHESES ARE IN METRIC.
3. PARTS SUPPLIED:  
(1) - COUPLER



PANDUIT PART NUMBER	WEIGHT	MATERIAL
FRBC4X4**	0.71 LB/EACH (322g/EACH)	ABS
FRBC4X4L**	0.71 LB/EACH (322g/EACH)	PC/ABS



REV	DATE	BY	CHK	APR	DESCRIPTION	ECN
04B	8/31/20	MEX-JAGC	DWR	DWR	ADDED PART NUMBER	V09002DZ/11
4	02-20-13	JBN	RTFI	RN	J. UPDATED DRAWING BORDER & TITLE BLOCK	37847-50

TITLE		<b>FIBERRUNNER 4X4 QUIKLOCK COUPLER (FRBC4X4**, FRBC4X4L**)</b>	
ITEM REVISION NAME		CUSTOMER DRAWING	
DATASET FILE NAME		<b>PANDUIT</b>	
DRAWING NUMBER:		SEE PART NUMBER TABLE ABOVE	
DRAWN BY		DRAWING NUMBER: <b>37847-50</b>	
DATE		THIRD ANGLE PROJECTION	
CHK		SCALE	
NONE		SHT 1 OF 1	
SIZE		A	