

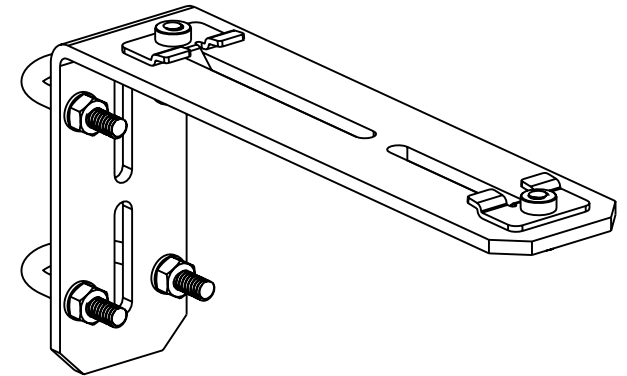
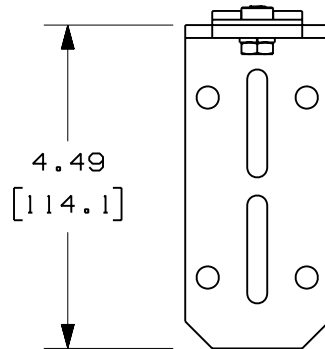
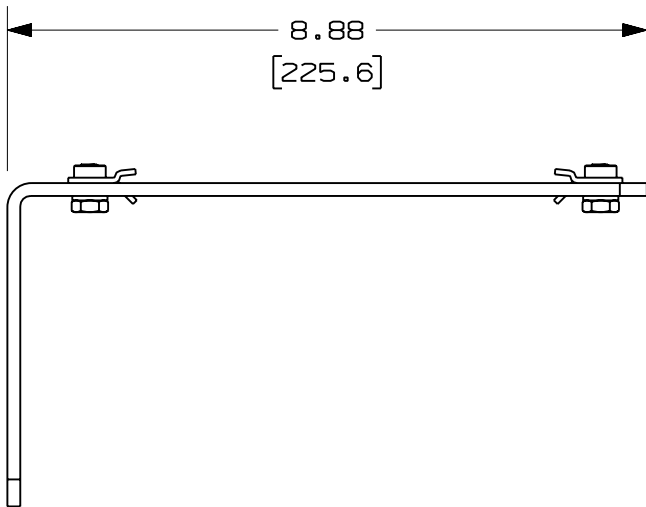
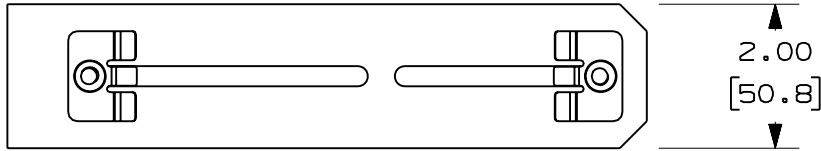


PANDUIT PART NUMBER	WEIGHT
FR6USB	1.41 LB/EACH (639g/EACH)



NOTES:

- SEE CURRENT CATALOG FOR ADDITIONAL PART SUFFIXES TO INDICATE PACKAGE QUANTITY.
- THE FIBERRUNNER 4x4 AND 6x4 QUIKLOCK UNDER-FLOOR SUPPORT BRACKET IS USED TO SUPPORT THE FIBERRUNNER 4x4 AND/OR 6x4 CABLE ROUTING SYSTEMS FROM 1" (25.4) DIAMETER OR 7/8" (22.2) SQUARE TUBE FLOOR PEDESTALS.
- THE FIBERRUNNER 4x4 AND 6x4 QUIKLOCK UNDER-FLOOR SUPPORT BRACKET INCLUDES:
ONE (1) BRACKET ASSEMBLY,
TWO (2) 1/4-20x2x1 1/8x1 ROUND BEND U-BOLTS,
FOUR (4) 1/4-20 HEX NUTS,
FOUR (4) 1/4 HELICAL SPRING LOCKWASHERS.
- FINISH COLOR: BLACK (EXCEPT FOR HARDWARE)
- DIMENSIONS IN PARENTHESES ARE IN METRIC.



ENG. REF.: D37585BE_DC_FR6USB_02.prt

CAD FILENAME/LAYERS: FR6USB.pdf

PANDUIT CORP TINLEY PARK, ILLINOIS
FIBERRUNNER 4x4 AND 6x4 QUIKLOCK UNDER-FLOOR SUPPORT BRACKET (FR6USB)
 CUSTOMER DRAWING

UNLESS OTHERWISE SPECIFIED, DIMENSIONAL TOLERANCES ARE:
 (.X) ± (.XXX) ±
 (.XX) ± .03 (.8) ANGLES ±

UNLESS OTHERWISE SPECIFIED, ALL DIMENSIONS ARE GIVEN IN INCHES, THIRD ANGLE PROJECTION.

REV	DATE	BY	CHK	DESCRIPTION	ECN	R	CUST	SUP	GMBH
-	-----	---	--	K. REVISED PART WEIGHT. J. REVISED GENERAL NOTES.	-----	--	--		
2	7-18-07	MSO	RN	I. REVISED DRAWING TITLE. H. REVISED AND REDRAWN.	37585-23	RN	RN		

DRAWN BY: MSO	MAT'L: STEEL	SCALE: NONE
DATE: 5-11-00		DRAWING NO.: 37585-23
CHK'D: CVV		DWG SIZE: A