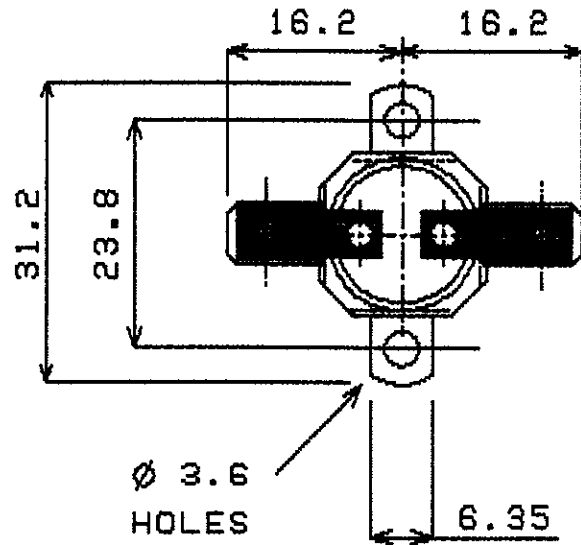


DO NOT SCALE ALL DIMENSIONS ARE FOR REFERENCE ONLY

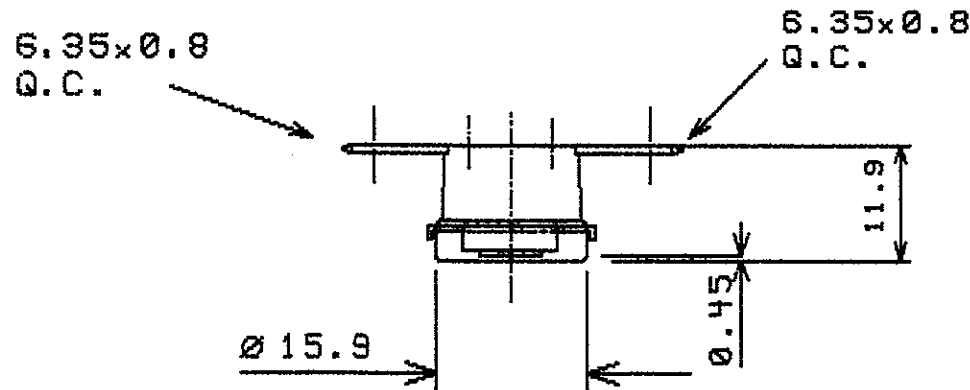
OPERATING CRITERIA



VOLTS: 240 AMPS: 10 HZ:

OPERATING TEMPS. DEG. C

OPEN: 125 ± 4
CLOSE: 110 ± 5



NOTE: ORIENTATION OF BRACKET IS NOT FIXED

ISSUE	A	B							
MOD No	2052	2050							
MTH/YR	3/97	7/98							

<p>ELMWOOD SENSORS LTD</p>	<p>ELMWOOD DEVICE & UNIQUE PART No. 2455RP-9100-440</p>	<p>ELMWOOD DRG No. 965208</p>	<p>ISSUE B</p>
	<p>DATE OF ISSUE STAMP 7 JUL 1998</p>		

<p><u>CODING REQUIREMENTS</u> COLOUR: LASER CODE L125C RP 9100 440 XXX (XXX = DATE CODING)</p>	<p>CAP: B200 MAT'L: ALUMINIUM BRK/T: B2026 MAT'L: STEEL PLATING: NICKEL</p>
<p>TERMINAL: T146 : T146 MATERIAL: BRASS : BRASS PLATING: NICKEL : NICKEL</p>	