



**25W Triac Dimmable Constant Current LED Driver
PDA025H Residential LED Driver**



Features

- OVP, OTP, Short/Open Circuit Protection
- Brownout Protection
- Class 2 Output per UL1310
- IP66 Rated
- ≥ 0.9 Power Factor Correction & THD $< 20\%$
- 108-132VAC Input Voltage Range

Applications

- Down Lights
- Area Lights
- Architectural lighting

Safety Approvals

- cUL/UL8750
- Class 2 Output per UL1310

Mechanical Characteristics

- Length: 80mm (in)
- Width: 78mm (3.07in)
- Height: 25.4mm (1in)
- Weight: 170g (6oz)

Output Specifications

Model	DC Output Voltage			Output Current	Output Power
	Min.	Typ.	Max.		
PDA025H-350A-H ⁽¹⁾	45V	-	72V	350mA	25W
PDA025H-520A-H	30V	-	48V	520mA	25W
PDA025H-700A-H	24V	-	36V	700mA	25W
PDA025H-1A0A-H	16V	-	24V	1050mA	25W

Notes (1): Non Class 2 Output per UL1310.

Phihong is not responsible for any error, and reserves the right to make changes without notice. Please visit our website at www.phihong.com for the most up-to-date specifications and contact information.

INPUT:

AC Input Voltage Range
108~132VAC

AC Input Voltage Rating
120VAC

AC Input Frequency
47~63 Hz

Maximum Input Current
≤ 0.5A

Leakage Current
0.5mA maximum

Power Factor
≥ 0.9

THD
<20%

OUTPUT:
Output Current Ripple
≤30%

Efficiency

Model	Typical Efficiency
PDA025H-350A	84%
PDA025H-520A	83%
PDA025H-700A	83%
PDA025H-1A0A	82%

Environmental:

Temperature

Operation Tc -20 to 90°C
Non-operation -40 to +85°C
Operating Humidity 10 to 95%

EMC

FCC 55047 Part 15

Immunity

IEC61000-4-2
IEC61000-4-5

Dielectric Withstand (Hi-pot)

Primary to secondary: 3000VAC for 1 minute, 10mA

Over Temperature Protection

Auto-recovery

Short-Circuit Protection

Auto Restart

Output Over-voltage Protection

Auto Recovery

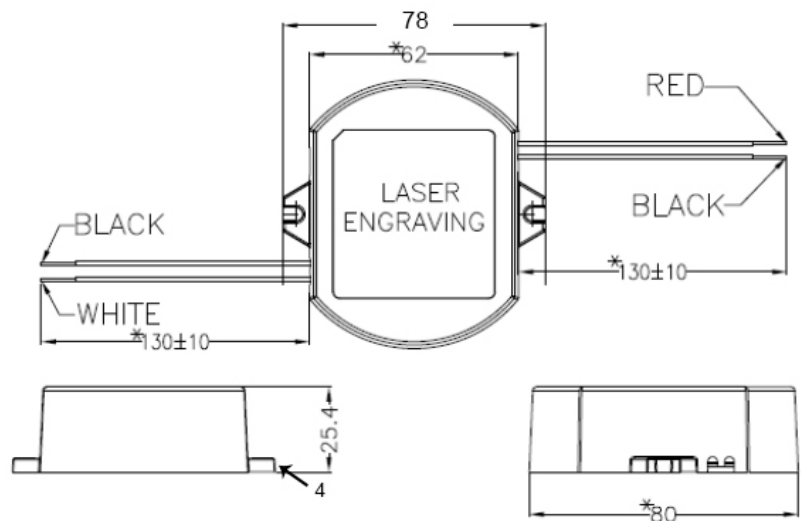
Input / Output Connections

Position	Terminal Color	Specification	Length
Input	Black	AWG18 Stranded Wire	170mm
	White	AWG18 Stranded Wire	170mm
Output	Red	AWG18 Stranded Wire	170mm
	Black	AWG18 Stranded Wire	170mm

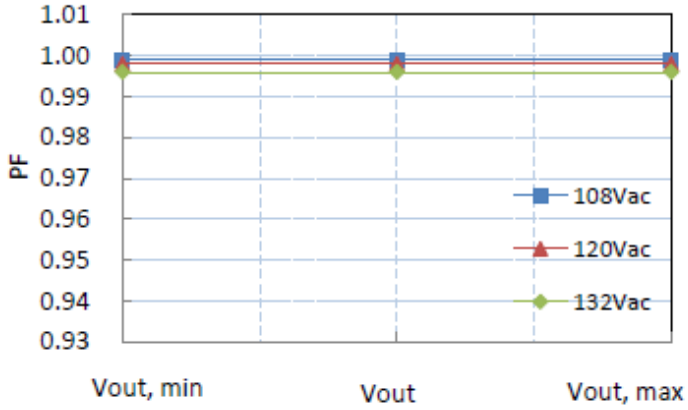
Warranty

3 years

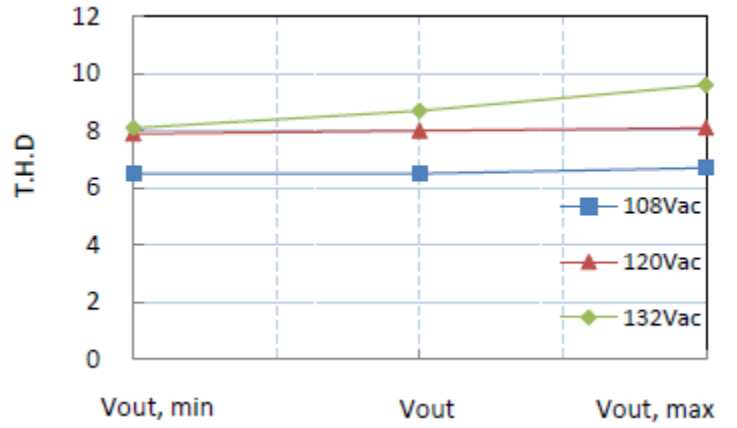
Dimension Diagram unit: mm



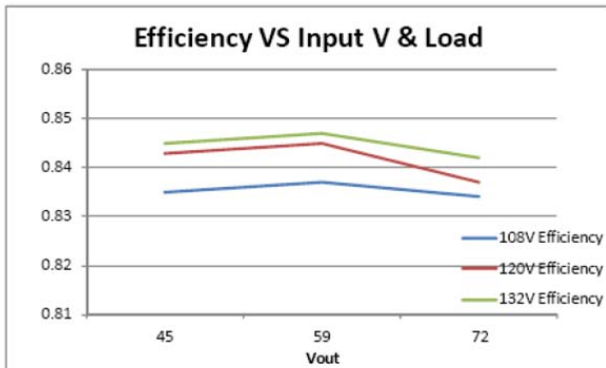
Power Factor vs. Load



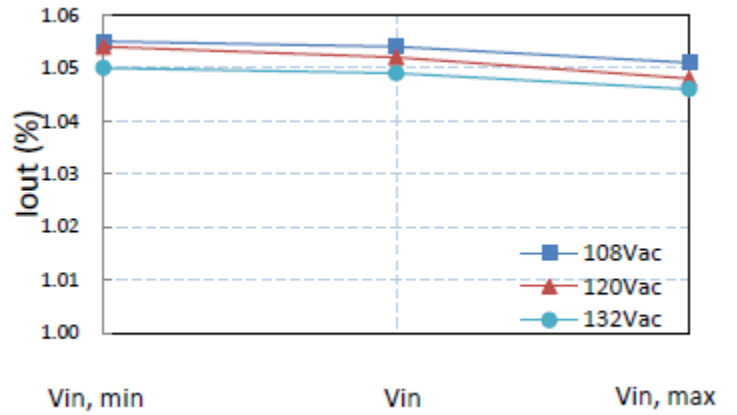
Total Harmonic Distortion vs. Load

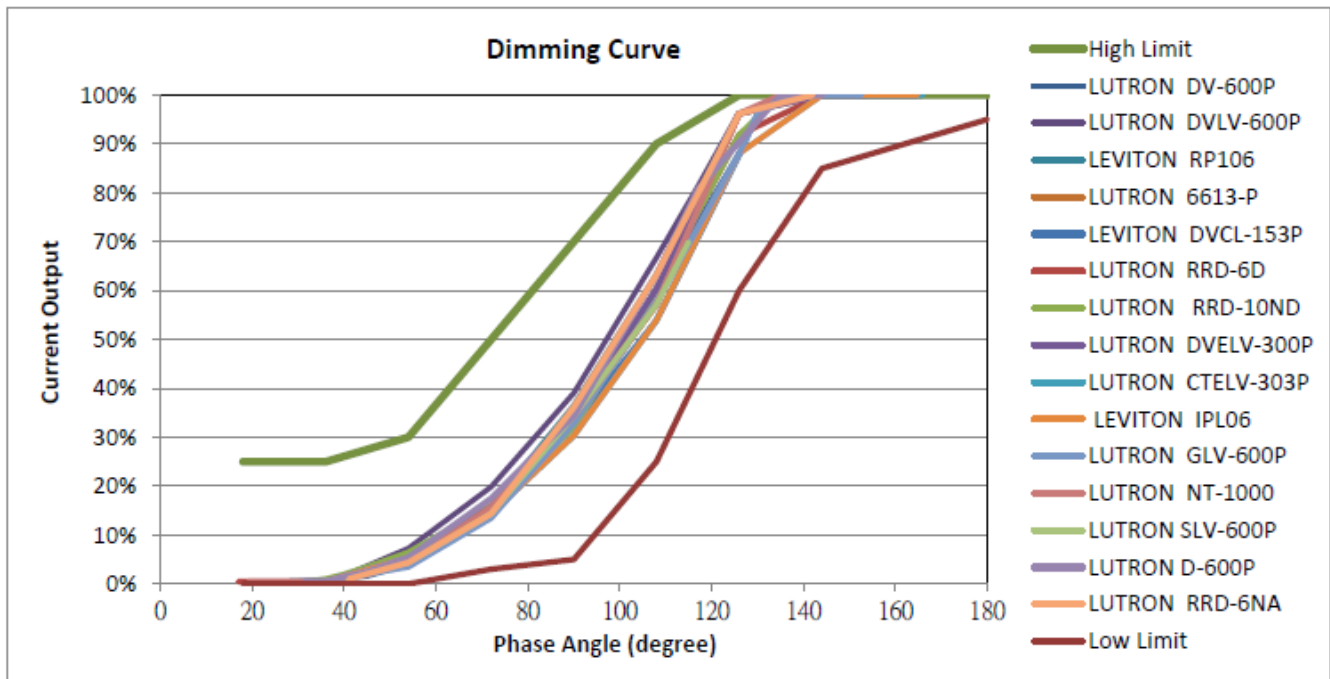


Efficiency vs. Load



Load (Vout) & Line (Vin) regulation





Dimmer Compatibility List

Make	Dimmer Name	Series
LEVITON	RP106	ROTARY
LEVITON	IPL06	SLIDE
LUTRON	DVCL-153P	DIVA
LUTRON	CTELV-303P	SKYLARK CONTOUR
LUTRON	DVLV-600P	DIVA
LUTRON	NT-1000	NOVA T
LUTRON	D-600P	DIVA
LUTRON	RRD-6D	RADIO RA2
LUTRON	RRD-6NA	RADIO RA2
LUTRON	6613-P	SURESLIDE
LUTRON	GLV-600P	GLIDER
LUTRON	RRD-10ND	RADIO RA2
LUTRON	DVELV-300P	DIVA
LUTRON	DV-600P	DIVA
LUTRON	SLV600P	SKYLARK

The driver has been tested and is compatible with the above list of dimmers.