

## DESCRIPTION

The MP5032 integrates a USB current-limit switch and charging port identification circuit. The MP5032 achieves 3A of continuous output current over a wide input supply range.

The output of the USB switch is current-limit programmable. The MP5032 supports DCP schemes for battery charging specification (BC1.2), divider mode, 1.2V/1.2V mode, and quick charge specification (QC 3.0) without the need for external user interaction.

The MP5032 provides linear line drop compensation.

Full protection features include hiccup current limiting, input over-voltage protection (OVP), and thermal shutdown.

The MP5032 requires a minimal number of readily available, standard, external components to complete the USB switch and charging mode auto-detection solution. The MP5032 is available in an 8-pin TSOT23 package.

## FEATURES

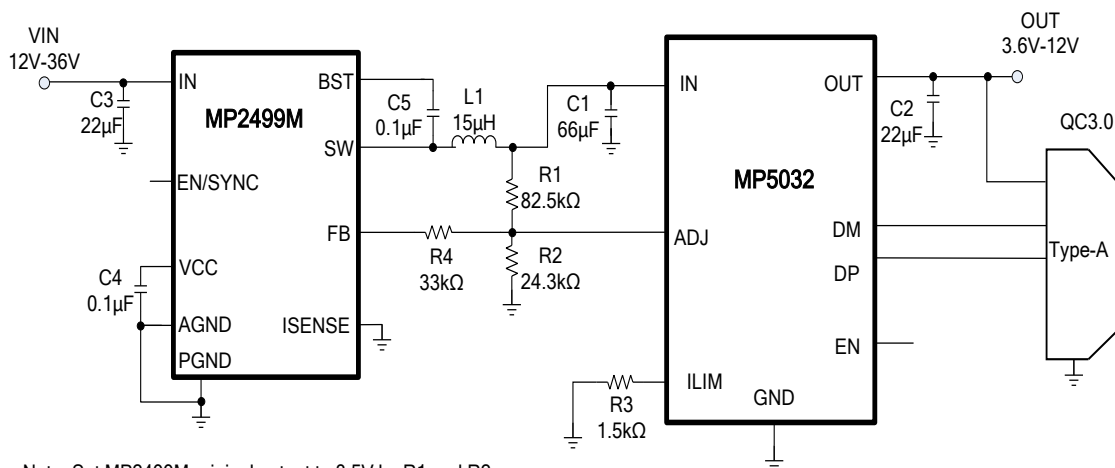
- Wide 3.6V to 14V Operating Input Voltage Range
- Supports QC 3.0 (3.6V - 12V<sub>OUT</sub>) and DCP Schemes for BC1.2, Divider Mode, and 1.2V/1.2V Mode
- Line Drop Compensation for 5V Output
- Fairly Constant Power Limit
- 32mΩ Low R<sub>DS(ON)</sub> Power MOSFET
- Input Discharge during High Voltage to Low Voltage Change
- Intelligent Input Over-Voltage Shutdown Protection
- Compatible with Buck and Boost Converters
- Available in a TSOT23-8 Package

## APPLICATIONS

- USB Power Supplies
- Automotive Cigarette Lighter Adapters
- Power Banks

All MPS parts are lead-free, halogen-free, and adhere to the RoHS directive. For MPS green status, please visit MPS website under Quality Assurance. "MPS" and "The Future of Analog IC Technology" are registered trademarks of Monolithic Power Systems, Inc.

## TYPICAL APPLICATION



Note: Set MP2499M original output to 3.5V by R1 and R2.

### ORDERING INFORMATION

| Part Number* | Package  | Top Marking |
|--------------|----------|-------------|
| MP5032GJ     | TSOT23-8 | See Below   |

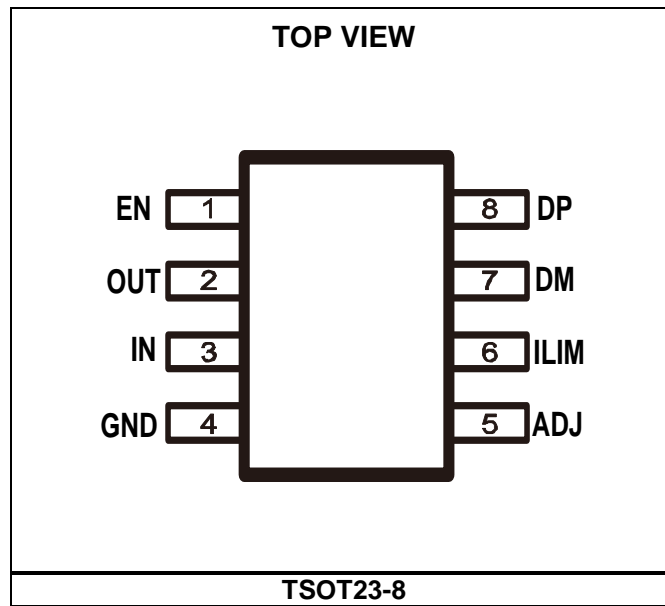
\* For Tape & Reel, add suffix -Z (e.g.MP5032GJ-Z)

### TOP MARKING

|AYBY

AYB: Product code of MP5032GJ  
 Y: Year code

### PACKAGE REFERENCE



**ABSOLUTE MAXIMUM RATINGS <sup>(1)</sup>**

|  |               |
|--|---------------|
| Supply voltage ( $V_{IN}$ ) .....  | -0.3V to +16V |
| Output voltage ( $V_{OUT}$ ) .....   | -0.3V to +16V |
| All other pins .....   | -0.3V to +6V  |
| Junction temperature .....   | 150°C         |
| Lead temperature .....   | 260°C         |
| Continuous power dissipation ( $T_A = +25^\circ\text{C}$ ) <sup>(2)</sup> <sup>(5)</sup> | 1.89W         |

**Recommended Operating Conditions <sup>(3)</sup>**

|                                       |                            |
|---------------------------------------|----------------------------|
| Supply voltage ( $V_{IN}$ ) .....     | 3.6V to 14V <sup>(4)</sup> |
| Output voltage ( $V_{OUT}$ ) .....    | Follow with $V_{IN}$       |
| Output current ( $I_{OUT}$ ) .....    | Up to 3A                   |
| Operating junction temp. ( $T_J$ ) .. | -40°C to +125°C            |

| <b>Thermal Resistance</b>         | $\theta_{JA}$ | $\theta_{JC}$ |
|-----------------------------------|---------------|---------------|
| TSOT23-8                          |               |               |
| EV5032-J-00A <sup>(5)</sup> ..... | 66.....       | 23 ... °C/W   |
| JESD51-7 <sup>(6)</sup> .....     | 100.....      | 55 ... °C/W   |

**NOTES:**

- 1) Exceeding these ratings may damage the device.
- 2) The maximum allowable power dissipation is a function of the maximum junction temperature  $T_J$  (MAX), the junction-to-ambient thermal resistance  $\theta_{JA}$ , and the ambient temperature  $T_A$ . The maximum allowable continuous power dissipation at any ambient temperature is calculated by  $P_D$  (MAX) =  $(T_J$  (MAX) -  $T_A$ ) /  $\theta_{JA}$ . Exceeding the maximum allowable power dissipation produces an excessive die temperature, causing the regulator to go into thermal shutdown. Internal thermal shutdown circuitry protects the device from permanent damage.
- 3) The device is not guaranteed to function outside of its operating conditions.
- 4) For lower  $V_{IN}$  applications, refer to the Operation section on page 12.
- 5) Measured on EV5032-J-00A, 2-layer PCB, 58mmx32mm, 2oz copper
- 6) Measured on JESD51-7, 4-layer PCB.

## ELECTRICAL CHARACTERISTICS

$V_{IN} = 5V$ ,  $R_{ILIM} = 1.5k\Omega$ ,  $T_J = -40^{\circ}C$  to  $125^{\circ}C$  <sup>(7)</sup>, typical value is tested at  $T_J = +25^{\circ}C$ , unless otherwise noted.

| Parameter  | Symbol             | Condition  | Min   | Typ  | Max   | Units      |
|--|--------------------|--|-------|------|-------|------------|
| $V_{IN}$ under-voltage lockout rising threshold        | $V_{IN\_UVLO1}$    | ADJ starts to work   | 2.7   | 3.0  | 3.3   | V          |
| UVLO hysteresis  | $V_{UVLOHYS1}$     |  |       | 880  |       | mV         |
| Second $V_{IN}$ under-voltage lockout rising threshold | $V_{IN\_UVLO2}$    | Power MOSFET turn-on   | 3.7   | 3.9  | 4.1   | V          |
| Second UVLO hysteresis                                 | $V_{UVLOHYS2}$     |  |       | 500  |       | mV         |
| EN rising threshold                                    | $V_{EN\_R}$        |  | 1.17  | 1.21 | 1.25  | V          |
| EN hysteresis  | $V_{EN\_HYS}$      |  |       | 200  |       | mV         |
| EN auto pull-up current                                | $I_{EN\_UP}$       |  | 7     | 11.5 | 16    | $\mu A$    |
| Shutdown current                                       | $I_{Q\_STD}$       | EN = 0, $V_{IN} = 5V$  |       | 280  |       | $\mu A$    |
| Supply current   | $I_Q$              | $V_{IN} = 5V$ , no load  |       | 250  | 320   | $\mu A$    |
| <b>USB Power MOSFET</b>                                |                    |  |       |      |       |            |
| On resistance  | $R_{DSON}$         | $V_{IN} = 5V$ , $I_{OUT} = 0.5A$ , $T_J = 25^{\circ}C$   |       | 32   | 40    | m $\Omega$ |
|  |                    | $V_{IN} = 5V$ , $I_{OUT} = 0.5A$ , $T_J = -40^{\circ}C$ to $125^{\circ}C$                          |       | 32   | 55    |            |
| Input discharge resistance                             | $R_{DIS}$          | $V_{IN\_OVP} = 6V$   |       | 72   | 105   | $\Omega$   |
| Soft-start time  | $T_{SS}$           | $V_{IN} = 5V$ , no load, $V_{OUT}$ from 10% to 90%   |       | 330  |       | $\mu s$    |
| <b>Current Limit Set</b>                               |                    |  |       |      |       |            |
| USB current limit                                      | $I_{LIMIT}$        | $V_{IN} = 5V$ , $V_{OUT}$ starts to drop   | 3.05  | 3.2  | 3.4   | A          |
|  |                    | $V_{IN} = 9V$ (QC 2.0, 9V mode or QC 3.0, $3.6V \leq V_{OUT} < 6.6V$ ), $V_{OUT}$ starts to drop   | 2.51  | 2.70 | 2.89  |            |
|  |                    | $V_{IN} = 12V$ (QC 2.0, 12V mode or QC 3.0, $6.6V \leq V_{OUT} < 9.8V$ ), $V_{OUT}$ starts to drop | 1.87  | 2.08 | 2.29  |            |
| <b>Output Voltage Control</b>                          |                    |  |       |      |       |            |
| Default $V_{IN}$                                       | $V_{IN\_Def1}$     | $I_{OUT} = 0A$ , $T_J = 25^{\circ}C$   | 5.05  | 5.10 | 5.15  | V          |
|  | $V_{IN\_Def2}$     | $I_{OUT} = 0A$ , $T_J = -40^{\circ}C$ to $125^{\circ}C$  | 5     | 5.10 | 5.2   | V          |
| 9 $V_{IN}$ voltage                                     | $V_{IN\_9}$        |  | 8.82  | 9    | 9.18  | V          |
| 12 $V_{IN}$ voltage                                    | $V_{IN\_12}$       |  | 11.76 | 12   | 12.24 | V          |
| $V_{ADJ}$ sink current capability                      |                    | $V_{ADJ} = 0.8V$   | 500   |      |       | $\mu A$    |
| Line drop compensation                                 | $V_{IN\_5\_C}$     | $I_{OUT} = 2.4A$ , only 5 $V_{IN}$ active  |       | 330  | 440   | mV         |
| <b>Protection</b>                                      |                    |  |       |      |       |            |
| $V_{IN}$ OVP threshold                                 | $V_{OV\_TH}$       | $V_{IN}$ rising edge, $V_{IN} = 5V$  | 110   | 115  | 120   | %          |
|  |                    | $V_{IN}$ rising edge, $V_{IN} = 9V$  | 110   | 115  | 120   |            |
|  |                    | $V_{IN}$ rising edge, $V_{IN} = 12V$   | 110   | 115  | 120   |            |
| $V_{IN}$ OVP Recovery Threshold                        | $V_{OV\_Recovery}$ | Reset mode to 5V default   | 5.35  | 5.5  | 5.65  | V          |

**ELECTRICAL CHARACTERISTICS (continued)**

$V_{IN} = 5V$ ,  $R_{ILIM} = 1.5k\Omega$ ,  $T_J = -40^{\circ}C$  to  $125^{\circ}C$  <sup>(7)</sup>, typical value is tested at  $T_J = +25^{\circ}C$ , unless otherwise noted.

| Parameter   | Symbol                  | Condition                        | Min  | Typ | Max  | Units       |
|---|-------------------------|----------------------------------|------|-----|------|-------------|
| OCP on time of hiccup   | $T_{HIC\_ON}$           | $V_{OUT} < 3.5V$                 |      | 2   |      | ms          |
| OCP off time of hiccup  | $T_{HIC\_OFF}$          |                                  |      | 2   |      | s           |
| Shutdown Temperature <sup>(8)</sup>                                   | $T_{STD}$               |                                  |      | 160 |      | $^{\circ}C$ |
| Hysteresis <sup>(8)</sup>   | $T_{HYS}$               |                                  |      | 35  |      | $^{\circ}C$ |
| <b>BC1.2 DCP Mode</b>   |                         |                                  |      |     |      |             |
| DP/DM short resistance  | $R_{DP/DM\_Short}$      | $V_{DP} = 0.8V$ , $I_{DM} = 1mA$ |      |     | 50   | $\Omega$    |
| <b>1.2V/1.2V Mode</b>   |                         |                                  |      |     |      |             |
| DP/DM output voltage  | $V_{DP/DM\_1.2V}$       |                                  | 1.1  | 1.2 | 1.3  | V           |
| DP/DM output impedance  | $R_{DP/DM\_1.2V}$       |                                  | 200  | 300 | 400  | k $\Omega$  |
| <b>Divider Mode</b>   |                         |                                  |      |     |      |             |
| DP/DM output voltage  | $V_{DP/DM}$             | $V_{IN} = V_{OUT} = 5V$          | 2.5  | 2.7 | 2.85 | V           |
| DP/DM output impedance  | $R_{DP/DM}$             |                                  | 18   | 22  | 28   | k $\Omega$  |
| <b>Quick Charge 3.0 Mode</b>  |                         |                                  |      |     |      |             |
| DP/DM low voltage   | $V_{QC\_LOW}$           |                                  | 0.25 | 0.3 | 0.4  | V           |
| DP/DM high voltage  | $V_{QC\_High}$          |                                  | 1.8  | 2   | 2.2  | V           |
| DP output impedance   | $R_{DP\_QC}$            |                                  | 250  | 350 | 450  | k $\Omega$  |
| DM output impedance   | $R_{DM\_QC}$            |                                  | 15   | 20  | 25   | k $\Omega$  |
| DM low glitch time <sup>(8)</sup>                                     | $T_{Glitch\_DM}$        |                                  |      | 10  |      | ms          |
| DP high glitch time   | $T_{Glitch\_DP}$        |                                  | 1000 |     | 1500 | ms          |
| Output voltage change glitch time                                     | $T_{Glitch\_V\_Change}$ |                                  | 20   | 40  | 60   | ms          |
| Bus voltage step  | $V_{BUS\_CONT\_STEP}$   |                                  | 150  | 200 | 250  | mV          |
| Time for $V_{BUS}$ to discharge to 5V when $DP < 0.6V$ <sup>(8)</sup> | $T_{V\_UNPLUG}$         |                                  |      |     | 500  | ms          |

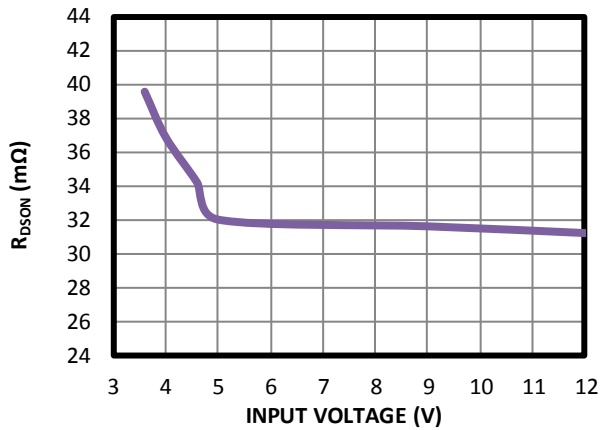
**NOTES:**

- 7) Guaranteed by over-temperature correlation, not tested in production.  
 8) Guaranteed by engineering sample characterization.

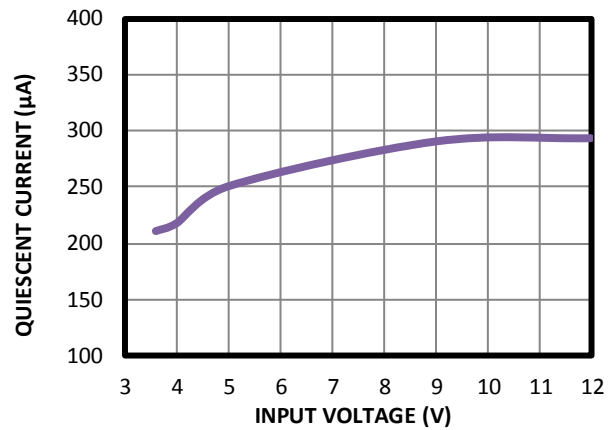
## TYPICAL CHARACTERISTICS

$V_{IN} = 5V$ ,  $V_{OUT} = 5V$ ,  $R_{LIM} = 1.5k\Omega$ ,  $T_A = 25^\circ C$ , unless otherwise noted.

**$R_{DS(ON)}$  vs. Input Voltage**

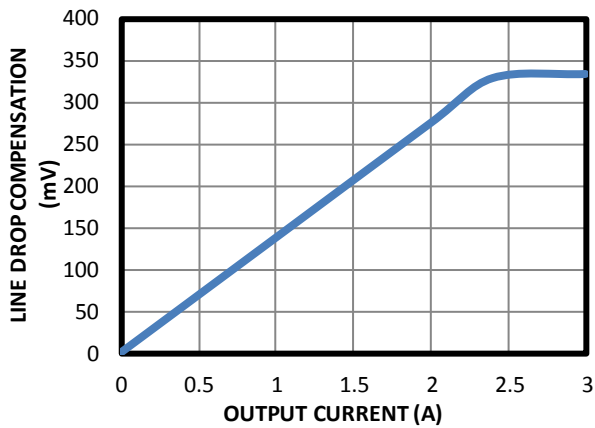


**Quiescent Current vs. Input Voltage**  
EN Float



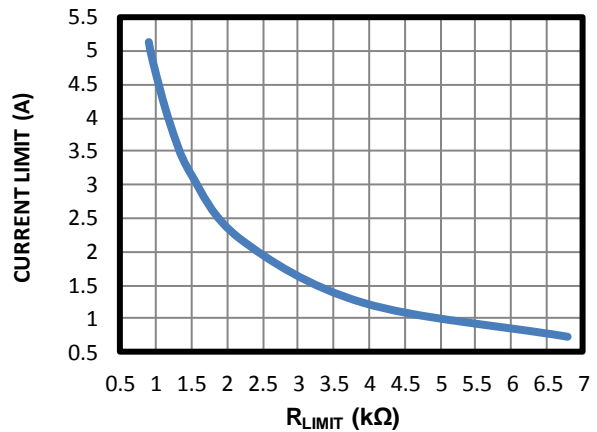
**Line Drop Compensation**

$V_{IN} = 5V$  Only

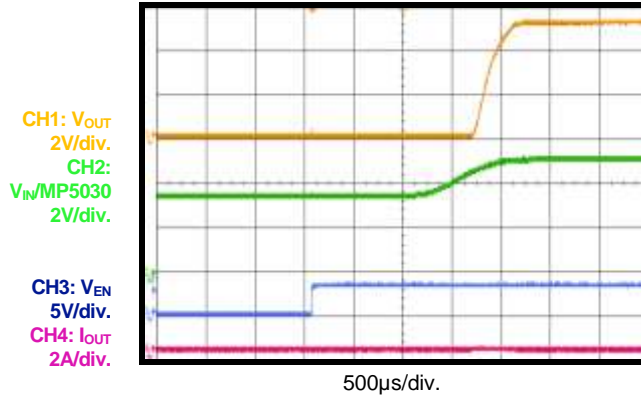
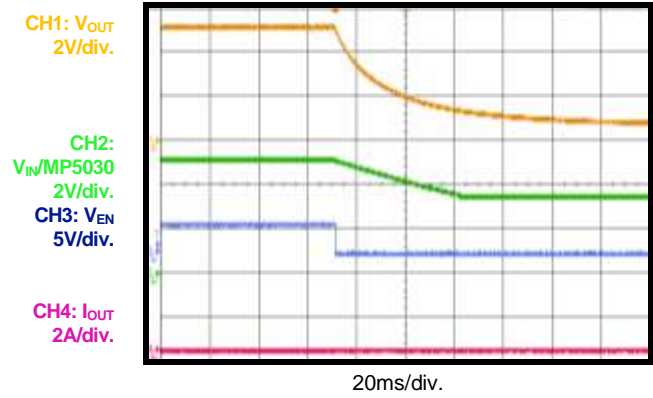
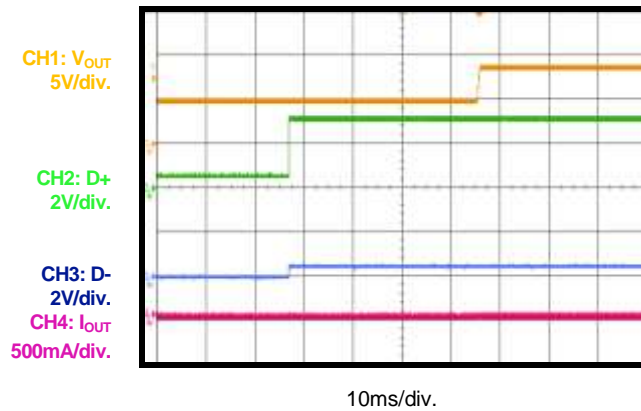


**Current Limit vs.  $R_{LIM}$**

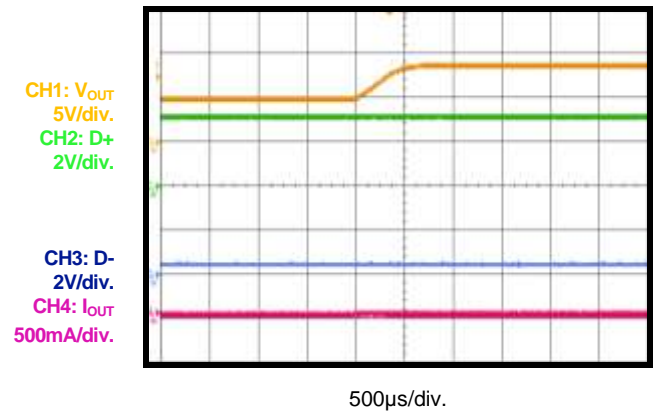
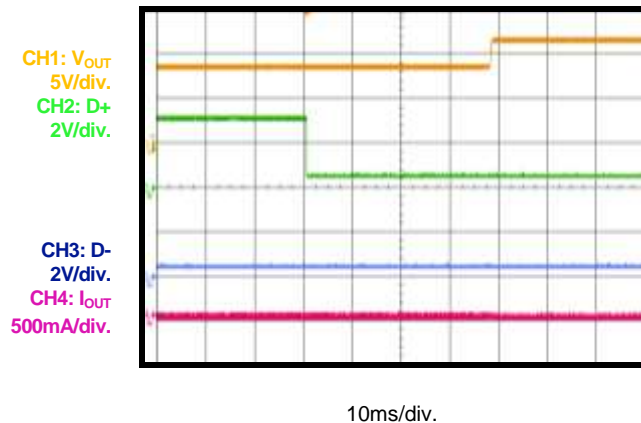
$V_{IN} = 5V$  Only



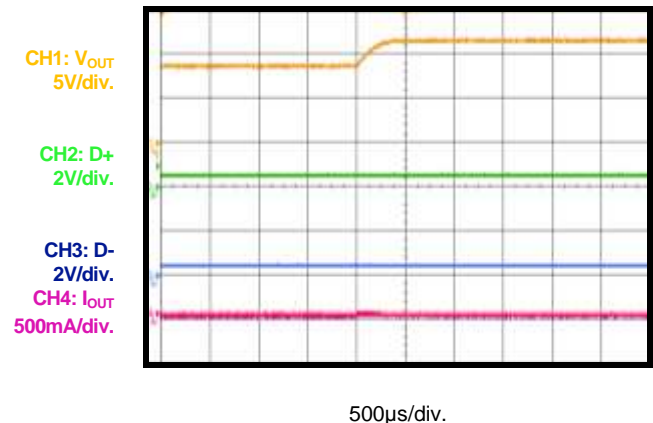
**TYPICAL CHARACTERISTICS (continued)**
 $V_{IN} = 5V$ ,  $V_{OUT} = 5V$ ,  $R_{ILIM} = 1.5k\Omega$ ,  $T_A = 25^\circ C$ , unless otherwise noted.

**Start-Up through Enable**
 $I_{OUT} = 0A$ 

**Shutdown through Enable**
 $I_{OUT} = 0A$ 

**Mode Transition from 5V to 9V**
 $I_{OUT} = 0A$ , from QC 2.0\_5V to 9V

**Mode Transition from 5V to 9V**

Zoom in 5V to 9V Slew Rate


**Mode Transition from 9V to 12V**
 $I_{OUT} = 0A$ , from QC 2.0\_9V to 12V

**Mode Transition from 9V to 12V**

Zoom in 9V to 12V Slew Rate

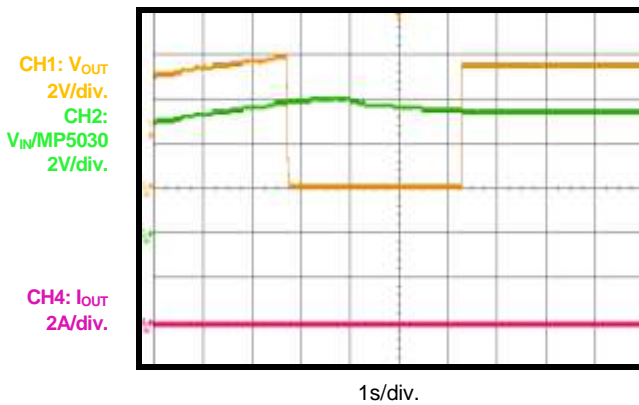


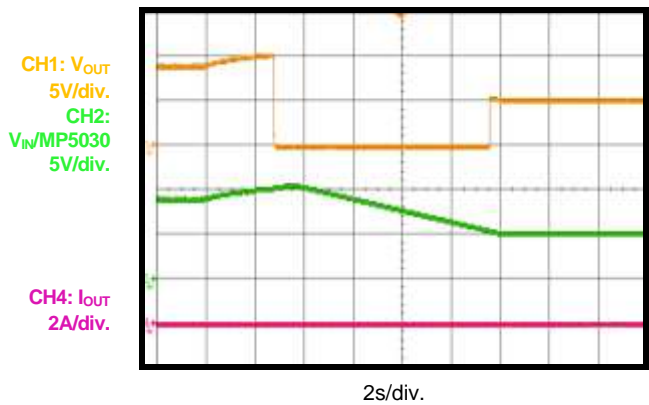
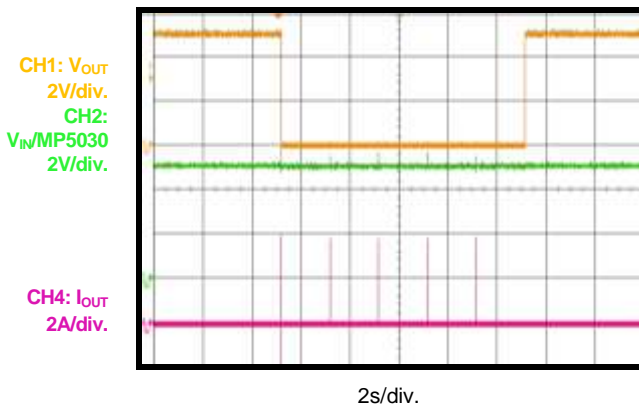
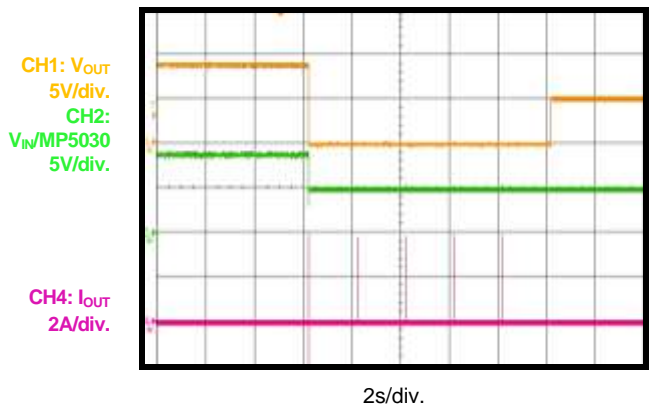
**TYPICAL CHARACTERISTICS (continued)**
 $V_{IN} = 5V$ ,  $V_{OUT} = 5V$ ,  $R_{ILIM} = 1.5k\Omega$ ,  $T_A = 25^\circ C$ , unless otherwise noted.

**Mode Transition from 12V to 9V**
 $I_{OUT} = 0A$ , from QC 2.0\_12V to 9V

**Mode Transition from 9V to 5V**
 $I_{OUT} = 0A$ , from QC 2.0\_9V to 5V

**Input Over-Voltage Protection**

 QC 5V Mode,  $I_{OUT} = 0A$ 

**Input Over-Voltage Protection**

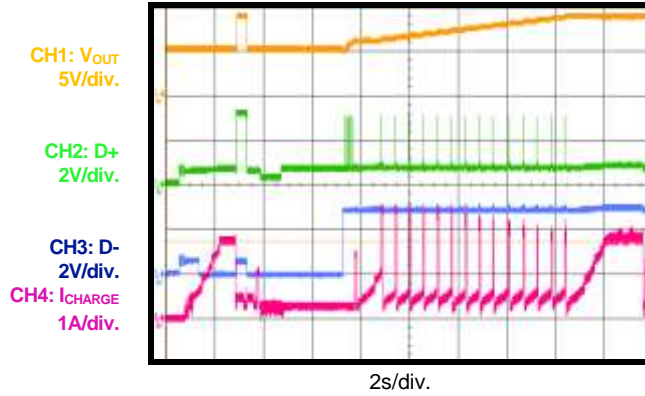
 QC 9V Mode,  $I_{OUT} = 0A$ 

**Short-Circuit Protection Entry and Recovery**
 $V_{IN} = 5V$ ,  $I_{OUT} = 0A$ 

**Short-Circuit Protection Entry and Recovery**
 $V_{IN} = 9V$ ,  $I_{OUT} = 0A$ 




### TYPICAL CHARACTERISTICS *(continued)*

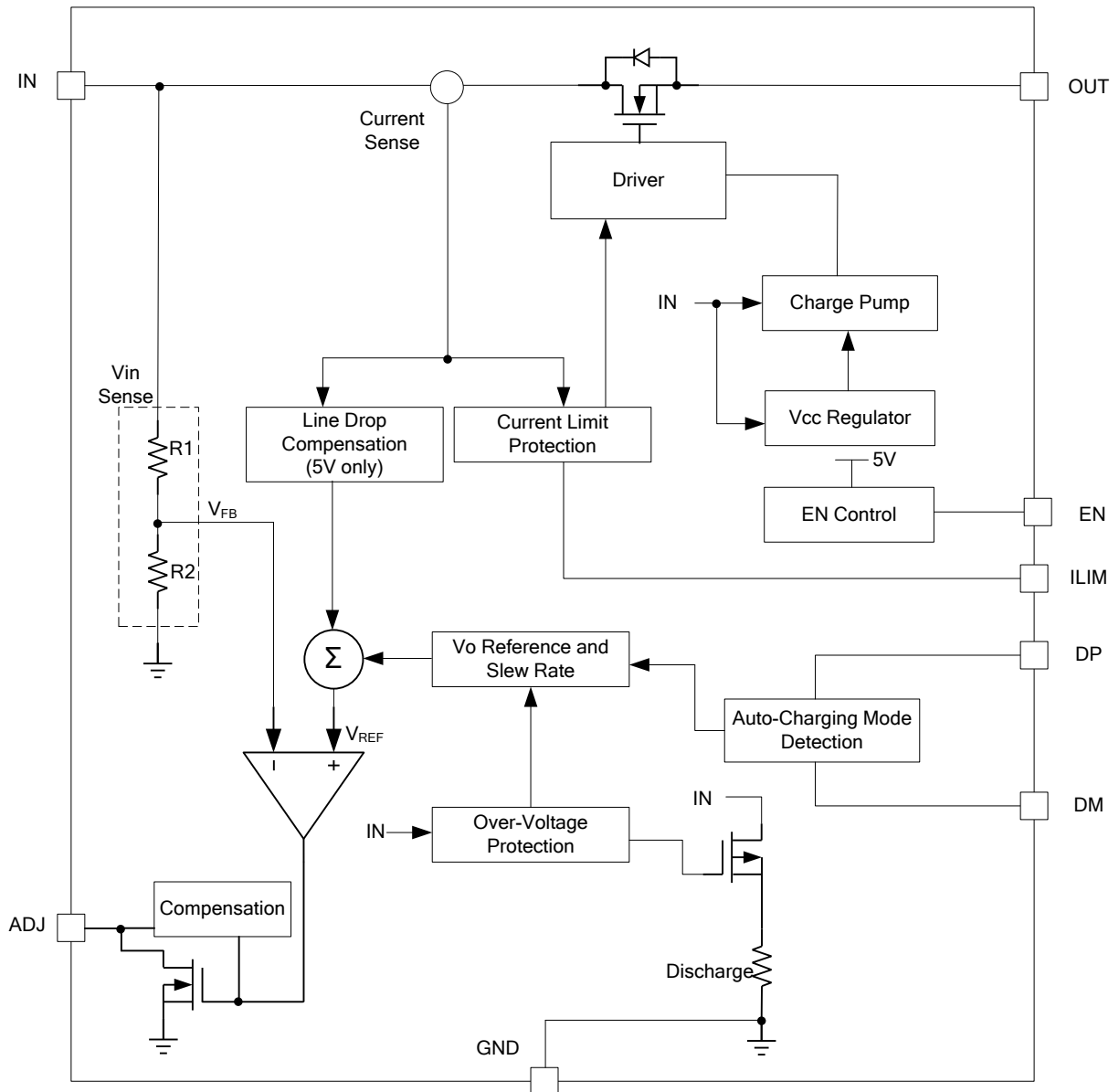
$V_{IN} = 5V$ ,  $V_{OUT} = 5V$ ,  $R_{ILIM} = 1.5k\Omega$ ,  $T_A = 25^\circ C$ , unless otherwise noted.

#### QC 3.0 Device Charging Test



**PIN FUNCTIONS**

| Package Pin # | Name | Description  |
|---------------|------|--|
| 1             | EN   | <b>Enable control.</b> EN has an internal auto pull-up current to 5V. Float EN or apply a logic high voltage to enable the IC. Pull EN to logic low to disable the IC.   |
| 2             | OUT  | <b>Output of USB current limit switch.</b>   |
| 3             | IN   | <b>Supply voltage.</b>   |
| 4             | GND  | <b>Ground.</b>   |
| 5             | ADJ  | <b>Output voltage adjustment.</b> ADJ sinks a current from the upstream DC/DC converter's FB pin to ground to regulate the DC/DC converter's output voltage. ADJ also supports line drop compensation.                             |
| 6             | ILIM | <b>Set the current limit level.</b> Place a resistor between ILIM and GND to achieve a high-accuracy current limit. The current limit threshold varies versus the output voltage to maintain a fairly constant output power limit. |
| 7             | DM   | <b>D- data line to USB connector.</b> DM is the input/output used for handshaking with portable devices.   |
| 8             | DP   | <b>D+ data line to USB connector.</b> DP is the input/output used for handshaking with portable devices.   |

**BLOCK DIAGRAM**

**Figure 1: Functional Block Diagram**

## OPERATION

The MP5032 integrates a USB current-limit switch and charging port identification circuit. The MP5032 achieves 3A of continuous output current over a wide input supply range.

The output of the USB switch is current-limited with an adjustable current-limit threshold. The MP5032 supports the latest quick-charge specification (QC 3.0) and is backwards-compatible with QC 2.0. The MP5032 also supports DCP schemes for battery charging specification (BC1.2), divider mode, and 1.2V/1.2V mode without the need for external user interaction.

The MP5032 provides line drop compensation for a 5V output. Fault condition protection includes hiccup current limiting, input over-voltage protection (OVP), and thermal shutdown.

### Operation Supply Voltage

The MP5032 has a two-stage input voltage threshold. The first threshold is around 3V, and the second threshold is the under-voltage lockout (UVLO) of the power MOSFET. When  $V_{IN}$  is higher than the first threshold, the MP5032's ADJ block starts working and sinks a current to adjust the upstream regulator's output to an accurate 5.1V. Afterward, the MP5032 can enable the power MOSFET to fully enter the working state.

### Under-Voltage Lockout (UVLO)

UVLO protects the chip from operating at an insufficient supply voltage. The MP5032's second UVLO comparator monitors the input voltage. Once the input voltage is higher than 3.9V, the power MOSFET starts to turn on with a controlled slew rate.

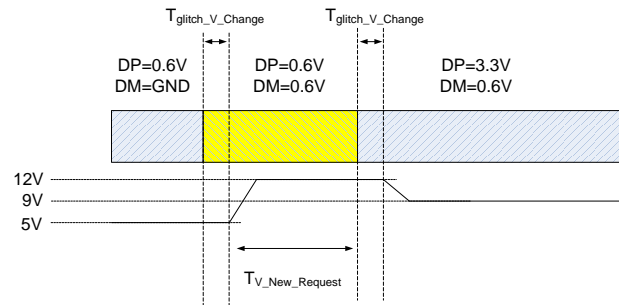
### Internal Soft Start (SS)

An internal soft start prevents the output voltage from inrush current and overshooting during start-up.

### QC Mode Voltage Transition - Class A

If the downstream device of the MP5032 supports the QC specification, the MP5032 can require a output voltage higher than 5V by DM and DP communication. If a higher USB bus voltage is required, ADJ must be used. ADJ is usually connected to the feedback pin of the

upstream voltage converter. After the handshake, the MP5032 sinks a controlled current by ADJ gradually to adjust the  $V_{OUT}$  to 9V/12V or another voltage 200mV step-by-step. Because of smart controller mode, only one ADJ pin can be set to a different high voltage that meets QC specification. The output voltage transition is smooth and has no undershoot or overshoot (see Figure 2 and Table 1).



**Figure 2: QC Mode Transition**

**Table 1: QC Mode Definition**

| Portable Device |      | USB Bus Voltage                           |
|-----------------|------|---|
| DP              | DM   |   |
| 0.6V            | 0.6V | 12V                                       |
| 3.3V            | 0.6V | 9V  |
| 0.6V            | 3.3V | 3.6V - 12V/200mV step according to QC 3.0 |
| 3.3V            | 3.3V | No action                                 |
| 0.6V            | GND  | 5V  |

When the downstream device is removed, the output voltage returns to the default 5V automatically. The input-to-ground discharge resistor helps expedite this procedure.

### Line Drop Compensation

The MP5032 is capable of compensating for an output voltage drop, such as high impedance caused by a long trace, to maintain a fairly constant 5V load-side voltage. The line drop compensation is only active at 5V  $V_{IN}$  while it is disabled under QC 3.0 mode. Line drop compensation is achieved through ADJ. The MP5032 increases the input voltage by 330mV at a 2.4A output current. Refer to the Line Drop Compensation graph in the Typical Performance Characteristics section on page 6.

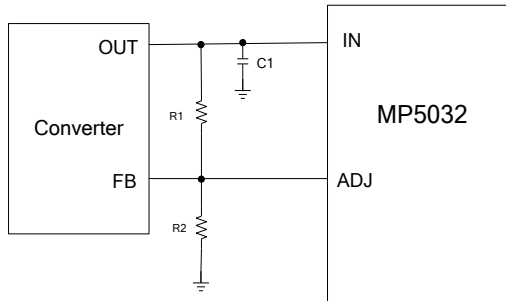
The ADJ voltage ( $V_{ADJ}$ ) slowly sinks a controlled current. The line drop compensation amplitude increases linearly as the load current increases.

In no-load condition, if the input voltage is lower than the typical 5.1V, ADJ sinks a current to regulate the upstream regulator's output voltage to 5.1V. If the input voltage is higher than 5.1V, the MP5032 no longer regulates the input voltage.

Figure 3 shows the typical ADJ usage. The ADJ sink current capability is 500µA. The feedback current through R1 must be less than 500µA. Calculate R1 with Equation (1):

$$R1(k\Omega) > \frac{V_{OUT}(V) - V_{FB}(V)}{0.5} \quad (1)$$

Where  $V_{OUT}$  is the maximum output voltage to be adjusted to.



**Figure 3: ADJ Configuration**

### Input Over-Voltage and Discharge

To protect the downstream device from an over-voltage condition, the MP5032 provides an input over-voltage protection (OVP) shutdown function. Since the MP5032 supports QC 3.0 protocol, it has a dynamic OVP threshold.

An accurate and fast comparator monitors the over-voltage condition of the input. If the input voltage rises above the threshold, the gate of the internal MOSFET is pulled low quickly, and the power MOSFET is shut down. At the same time, the input-to-ground discharge path is active. When input voltage falls below the typical 5.5V, the MP5032 exits OVP mode.

The OVP shutdown function is blanked during the high-to-low voltage mode change period.

The input-to-ground discharge resistance is always active during the high-to-low voltage mode change period. The discharge path is turned off when FB is lower than 108% \*  $V_{REF}$  with 20ms of additional delay (see Figure 4).



**Figure 4: Input Discharge during High Voltage to Low Voltage Transition**

QC mode is reset during the OVP rising edge.

### Over-Current Protection (OCP)

The MP5032 provides a constant current limit. The current-limit threshold is adjustable by an external resistor.

Once the device reaches its current-limit threshold, the internal circuit regulates the gate voltage to hold the current in the power MOSFET constant.

The MP5032 supports different voltage modes. Table 2 shows the over-current threshold for each case. Figure 5 shows an example of the current limit versus the bus voltage curve.

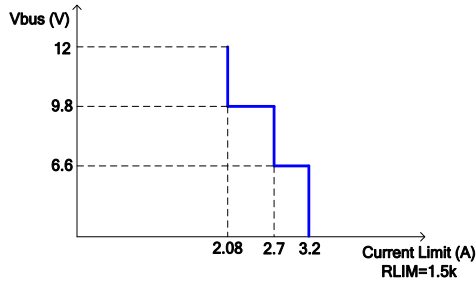
**Table 2: OCP Threshold vs. Bus Voltage**

| USB Bus Voltage    | Mode            | Over-Current Threshold ( $V_{LIMIT}$ ) |
|--------------------|-----------------|--|
| 5V (actually 5.1V) | BC1.2 or QC 2.0 | 4.8                                    |
| 9V                 | QC 2.0          | 4.08                                   |
| 12V                | QC 2.0          | 3.12                                   |
| 3.6V - 6.4V        | QC 3.0          | 4.8                                    |
| 6.6V - 9.6V        |                 | 4.08                                   |
| 9.8V - 12V         |                 | 3.12                                   |

The current-limit threshold can be calculated with Equation (2):

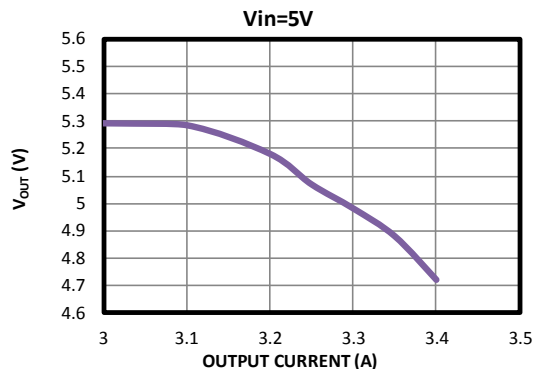
$$I_{LIMIT}(A) = \frac{V_{LIMIT}}{R_{LIMIT}(k\Omega)} \quad (2)$$

If the current limit is set below 1A, the  $V_{LIMIT}$  accuracy cannot be guaranteed.

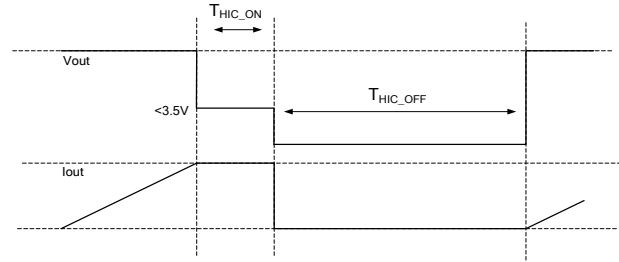

**Figure 5: Over-Current Threshold vs.  $V_{BUS}$** 

For Table 2, the external  $R_{LIMIT}$  can set the current-limit threshold. In QC 2.0 mode, the 9V/12V output's current-limit threshold varies accordingly to maintain a fairly constant power limit. In QC 3.0 mode, when  $3.6V < V_{OUT} < 6.6V$ , the MP5032 uses a 5V mode current limit. When  $6.6V \leq V_{OUT} < 9.8V$ , the MP5032 uses a 9V mode current limit. When  $V_{OUT} \geq 9.8V$ , the MP5032 uses a 12V mode current limit.

If the over-current (OC) is triggered, and  $V_{OUT} < 3.5V$  lasts for 2ms, the MP5032 enters hiccup mode. If OC occurs but  $V_{OUT} > 3.5V$ , the MP5032 works in constant current (CC) limit mode without hiccup. In this case,  $V_{OUT}$  drops while the output current increases slowly. Figure 6 shows the curve of  $V_{OUT}$  versus the output current after triggering the 5V current limit.


**Figure 6: I-V Curve after OC is Triggered**

In hiccup mode, the MP5032 turns off the power MOSFET. The hiccup signal resets QC mode to 5V. ADJ starts to change  $V_{IN}$  to 5V, and the current-limit threshold changes to the 5V spec. Two seconds (hiccup off-timer) later, the MP5032 restarts to check the OC state. If the OC still remains in 5V mode, the MP5032 follows the previous operation. If the OC does not exist in 5V mode, the MP5032 recovers to operate normally in 5V mode (see Figure 7).


**Figure 7: Over-Current Protection**

### Short-Circuit Protection (SCP)

If the load current increases rapidly due to a short circuit, the current may exceed the current limit threshold greatly before the control loop can respond. If the current reaches an internal secondary current-limit level (about 6A), a fast turn-off circuit activates to turn off the power MOSFET. This limits the peak current through the switch to limit the input voltage drop. The fast-off response time typical value is 700ns. If the fast-off works, the power MOSFET remains off for 300 $\mu$ s. Afterward, the power MOSFET turns on again. If the part is still in a short-circuit condition, the MP5032 treats this as an over-current condition to enter hiccup mode. After the short-circuit condition is removed, the MP5032 recovers automatically.

### Auto Detection

The MP5032 integrates the USB dedicated charging port auto-detect function, which recognizes most mainstream portable devices. It supports the following charging schemes:

- USB Battery Charging Specification BC1.2/ Chinese Telecommunications Industry Standard YD/T 1591-2009
- Divider mode
- 1.2V/1.2V mode
- Qualcomm quick charge mode 3.0 and 2.0

### Thermal Shutdown

Thermal shutdown prevents the chip from operating at exceedingly high temperatures. When the silicon die temperature exceeds 160 $^{\circ}$ C, the entire chip shuts down. When the temperature falls below its lower threshold (typically 125 $^{\circ}$ C), the chip is enabled again.

## APPLICATION INFORMATION

### Selecting the Input Capacitor

Use low ESR capacitors for the best performance. Ceramic capacitors with X5R or X7R dielectrics are highly recommended because of their low ESR and small temperature coefficients. A 22 $\mu$ F ceramic capacitor is recommended for most applications. The input capacitor must also consider pre-stage converter stability. The input capacitor of the MP5032 is the output capacitor of the converter. Ensure that the converter is stable with an additional output capacitor.

### Selecting the Output Capacitor

Use low ESR capacitors for the best performance. Ceramic capacitors with X5R or X7R dielectrics are highly recommended because of their low ESR and small temperature coefficients. A 22 $\mu$ F ceramic capacitor is recommended for most applications.

### Selecting the ILIM Resistor

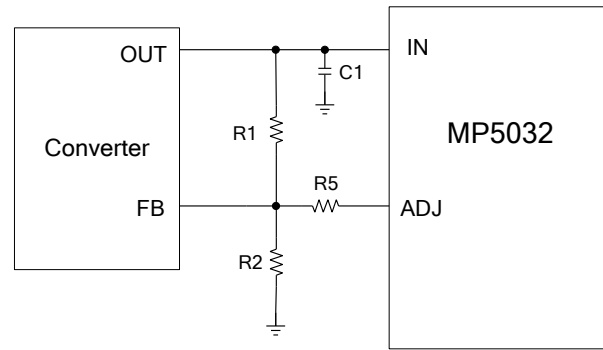
The current limit value can be set by the ILIM resistor. The programmable current limit can be calculated with Equation (2). The minimum current limit should be set higher than the system's full load current.

### Selecting the V<sub>ADJ</sub> Resistor

ADJ has a controlled current sink internally. Through ADJ, the line drop compensation and QC mode transition is achieved. The ADJ sink current capability is 500 $\mu$ A. It is recommended that the pre-side converter use a k $\Omega$  level feedback resistor. The current through the high-side feedback resistor must be less than 500 $\mu$ A. There is another V<sub>ADJ</sub> configuration to limit the maximum output voltage (i.e.: to insert R5 between FB and ADJ). With R5, the maximum output voltage is limited by Equation (3):

$$V_{OUT\_MAX} (V) = \frac{R_1 + R_2 // R_5}{R_2 // R_5} \times V_{FB} (V) \quad (3)$$

The required feedback resistor of R1 must be greater than 30k $\Omega$  (see Figure 8).



**Figure 8: V<sub>ADJ</sub>-Set Maximum V<sub>OUT</sub>**

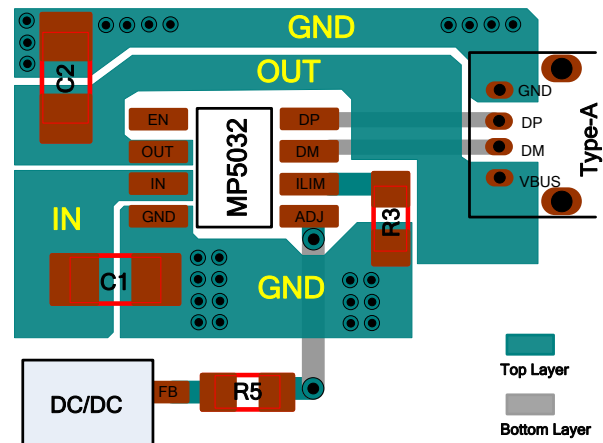
### Other Considerations

The upstream DC/DC converter must have a current-limit threshold higher than the MP5032's current limit.

### PCB Layout Guidelines

Efficient PCB layout is critical for stable operation and thermal dissipation. For best results, refer to Figure 9 and follow the guidelines below.

1. Use short, direct, and wide traces to connect the IC's in/out.
2. Keep the ADJ trace to the upstream converter's FB pin as short as possible.
3. Route the ADJ trace as far from the switching node as possible to avoid noise injection.



**Figure 9: Recommended Layout**

### Design Example

Table 3 is a design example following the application guidelines for the given specifications.

**Table 3: Design Example**

|                           |          |
|---------------------------|----------|
| <b>V<sub>IN</sub> (V)</b> | 3.6 - 12 |
| <b>Current Limit (A)</b>  | 3.2      |

The detailed application schematic is shown in Figure 10 and Figure 11. The typical performance and circuit waveforms are shown in the Typical Performance Characteristics section. For more detailed device applications, please refer to the related evaluation board datasheet.



TYPICAL APPLICATION CIRCUITS



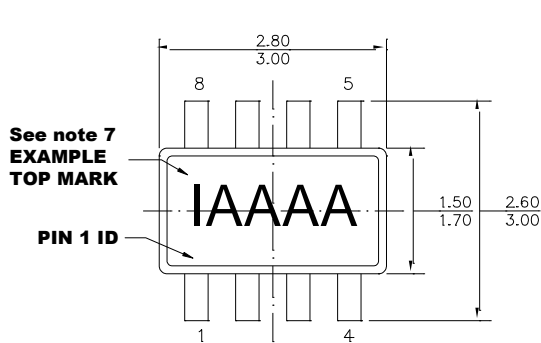
Figure 10: MP5032 + MP2499M for CLA Car Charger



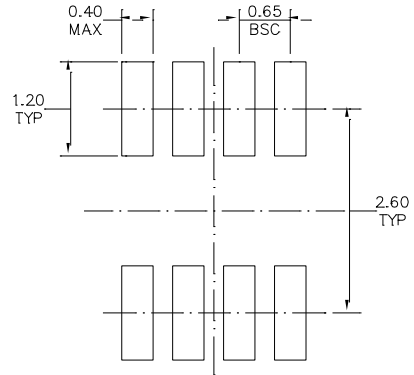
Figure 11: MP5032 + MP3431 for Power Bank

PACKAGE INFORMATION

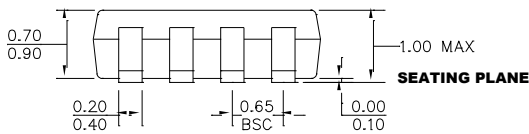
TSOT23-8



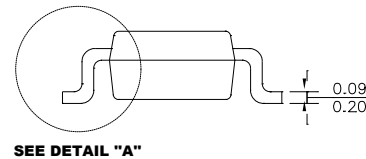
**TOP VIEW**



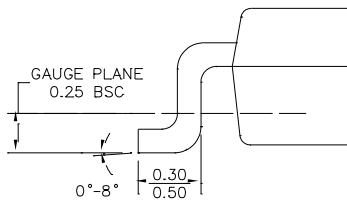
**RECOMMENDED LAND PATTERN**



**FRONT VIEW**



**SIDE VIEW**



**DETAIL "A"**

**NOTE:**

- 1) ALL DIMENSIONS ARE IN MILLIMETERS.
- 2) PACKAGE LENGTH DOES NOT INCLUDE MOLD FLASH, PROTRUSION OR GATE BURR.
- 3) PACKAGE WIDTH DOES NOT INCLUDE INTERLEAD FLASH OR PROTRUSION.
- 4) LEAD COPLANARITY (BOTTOM OF LEADS AFTER FORMING) SHALL BE 0.10 MILLIMETERS MAX.
- 5) JEDEC REFERENCE IS MO-193, VARIATION BA.
- 6) DRAWING IS NOT TO SCALE.
- 7) PIN 1 IS LOWER LEFT PIN WHEN READING TOP MARK FROM LEFT TO RIGHT, (SEE EXAMPLE TOP MARK)

**NOTICE:** The information in this document is subject to change without notice. Please contact MPS for current specifications. Users should warrant and guarantee that third party Intellectual Property rights are not infringed upon when integrating MPS products into any application. MPS will not assume any legal responsibility for any said applications.