

MAT'L: NYLON 6 (RMS-52) PART NO.	MAT'L: NYLON 6 UL94 V-0 (RMS-103) PART NO.	HOLE DIA. "G"	THICKNESS "F"	"A" ±.012 (±0.3)	"B" ±.008 (±0.2)	"C" ±.012 (±0.3)	"D"	"E" ±.012 (±0.3)	FIG. NO.
SRH-3035	SRHVO-3035	.122-.126 (3.1-3.2)	.039-.079 (1.0-2.0)	.252 (6.4)	.039 (1.0)	.14 (3.5)	.118 (3.0)	.26 (6.5)	1
SRH-3045	SRHVO-3045		.079-.118 (2.0-3.0)			.18 (4.5)			
SRH-3055	SRHVO-3055		.118-.157 (3.0-4.0)			.22 (5.5)			
SRH-3065	SRHVO-3065		.157-.197 (4.0-5.0)	.236 (6.0)		.26 (6.5)		.39 (10.0)	
SRH-3080	SRHVO-3080		.197-.256 (5.0-6.5)	.252 (6.4)		.31 (8.0)			
SRH-3090	SRHVO-3090		.256-.295 (6.5-7.5)	.252 (6.4)		.35 (9.0)			
SRH-3100	SRHVO-3100		.295-.335 (7.5-8.5)	.252 (6.4)		.39 (10.0)		.039 (1.0)	
SRH-3535	SRHVO-3535	.039-.079 (1.0-2.0)	.252 (6.4)	.14 (3.5)					
SRH-3545	SRHVO-3545	.079-.118 (2.0-3.0)	.252 (6.4)	.18 (4.5)					
SRH-3555	SRHVO-3555	.118-.157 (3.0-4.0)	.236 (6.0)	.22 (5.5)	.39 (10.0)				
SRH-3560	SRHVO-3560	.138-.177 (3.5-4.5)		.24 (6.0)					
SRH-3570	SRHVO-3570	.177-.217 (4.5-5.5)		.28 (7.0)					
SRH-3580	SRHVO-3580	.217-.256 (5.5-6.5)	.236 (6.0)	.31 (8.0)					

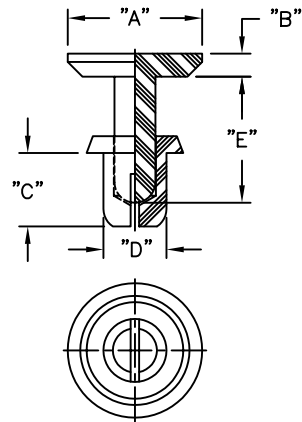


FIG. 1

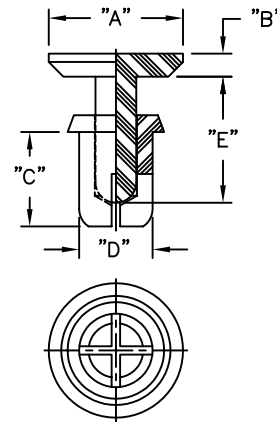
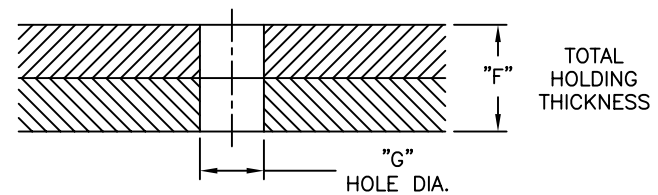


FIG. 2



E	ADDED SRH-3090, -3100, -3535, -3580, TOLERANCES, COLUMN SRHVO; CHANGED FILE NO. RMS COLUMN REMOVED AND RMS NO. CHANGED	SM 10.31.01	TITLE: SNAP RIVET, H-TYPE			⊕	⊞	DWG IN IN (MM)	QR
D	DIM "A" COLUMN CHANGED	J.L. 2.6.98	TOLERANCES UNLESS NOTED	FILE # SRH	DWN: P.B.	APP:		FINAL	
C	CHANGED "A" DIM COLUMN (ECN 131)	PB 05.09.95	.XX=±.010	MAT'L: SEE NOTES	DT: 08-08-94	DT:	PART #		PRINT TYPE
B	RMS NO. ADDED TO TABLE	PB 08.30.94	.XXX=±.005	RE: RICHCO, INC.	RICHCO INC.		SEE TABLE		
A	COMPLETE RE-DRAW, ADDED SRH-3545 3555, 3560, 3570	PB 08.08.94	FRAC=±1/64	PO BOX 804238, CHICAGO, 60680		(773) 539-4060		CA	
REV	DESCRIPTION	ENGR DATE	ANG=±1°						