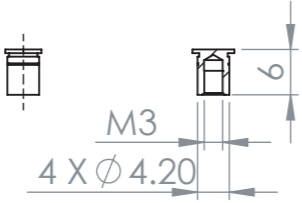
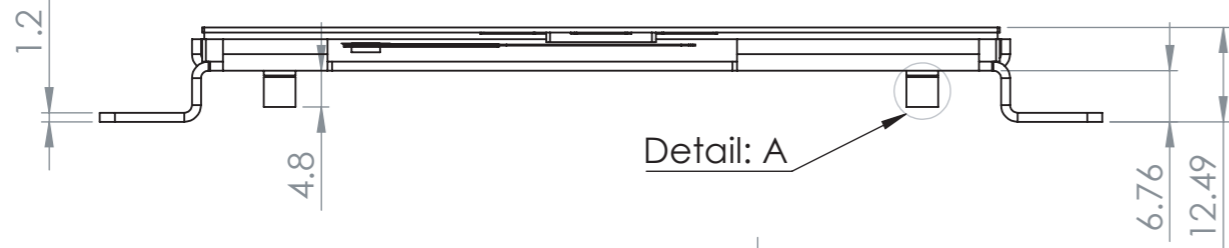
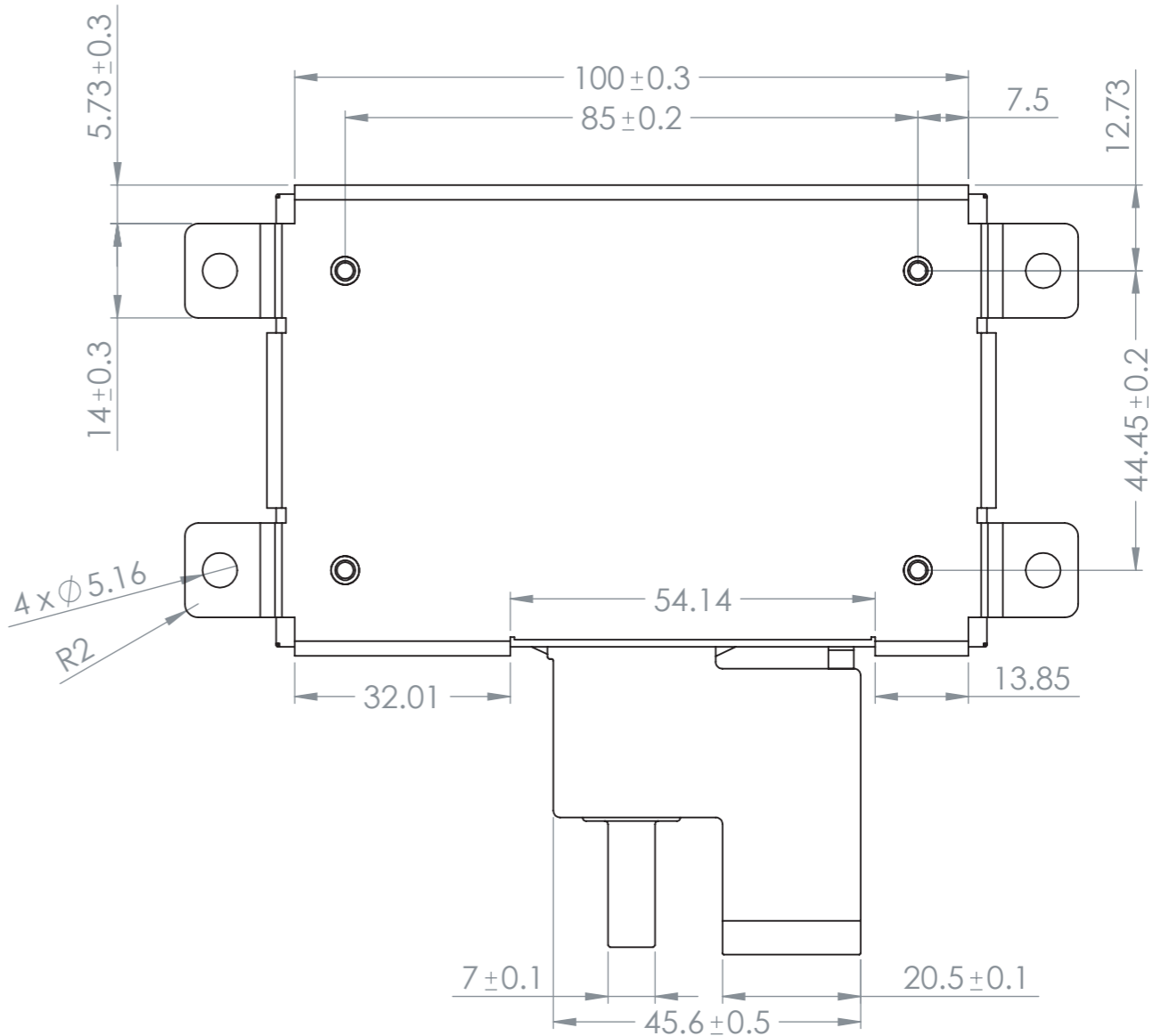
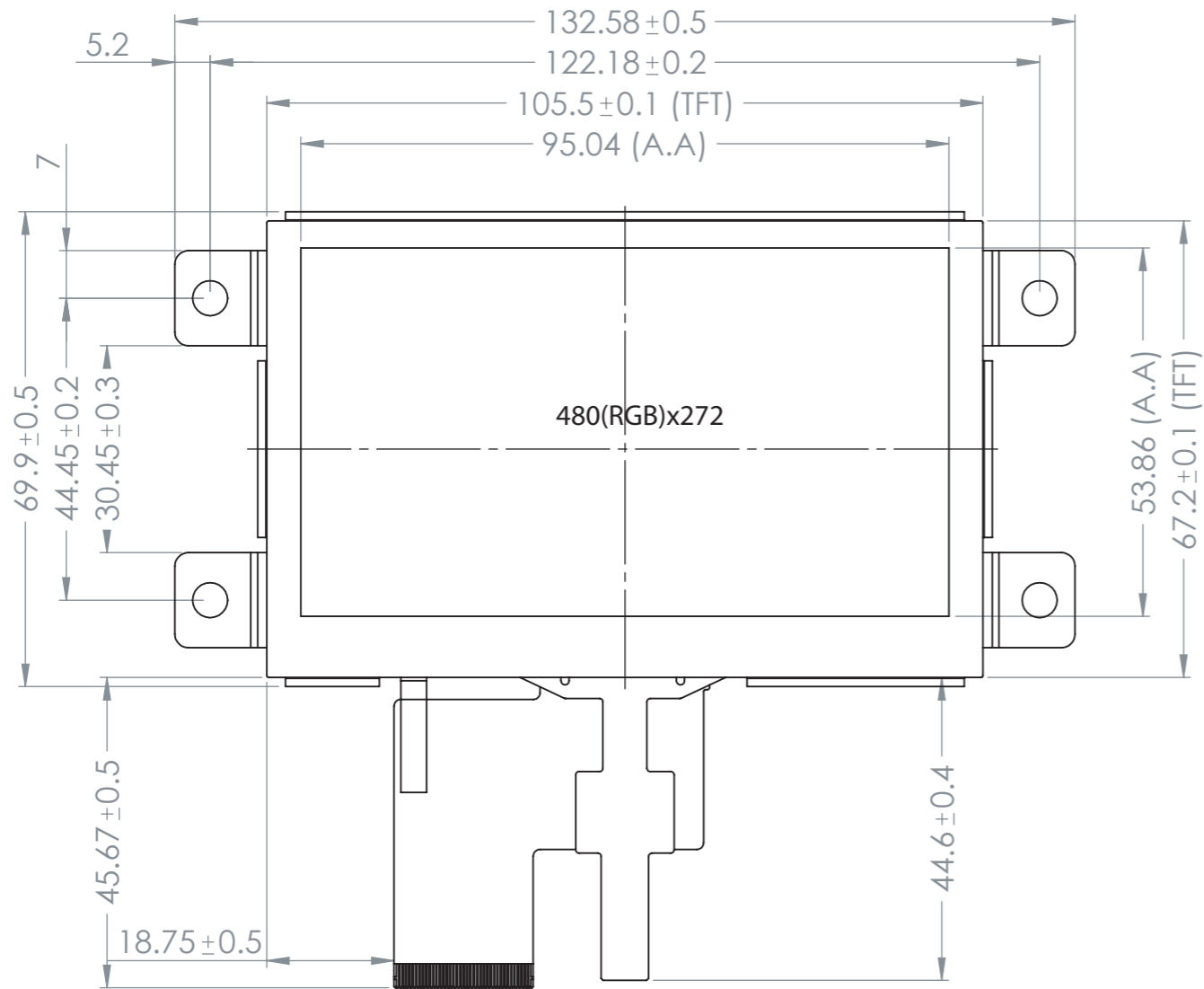


SYMBOL	REVISION	DATE



Detail: A  
 1:1  
 Part# BS04-M3-6 or Equivalent

- NOTES (Mounting Bracket):
- MATERIAL: SGLCC
  - THICKNESS: 1.2mm
  - 4x Mounting Holes, compatible with Rack Unit (RU) spacing
  - 4x Blind Threaded Standoffs (M3) on back side, suitable for Custom PCB assembly

This drawing is for mechanical mounting information only. Detailed display specifications can be viewed by downloading the full datasheet for the appropriate 4.3" TFT, accessible by the link below:

- <http://www.newhavendisplay.com/specs/NHD-4.3-480272EF-ATXL-CTP.pdf>
- <http://www.newhavendisplay.com/specs/NHD-4.3-480272EF-ASXV-CTP.pdf>
- <http://www.newhavendisplay.com/specs/NHD-4.3-480272EF-ASXN-CTP.pdf>

STANDARD TOLERANCES (UNLESS OTHERWISE SPECIFIED)	NEWHAVEN DISPLAY INTERNATIONAL		
	LINEAR: ±0.3 mm	DRAWING/PART NUMBER: NHD-4.3-480272MB-xxxx-CTP	REVISION: 1.0
UNLESS OTHERWISE SPECIFIED - DIMENSIONS ARE IN MILLIMETERS - THIRD ANGLE PROJECTION	DRAWN BY: N. Patel	CHECKED BY: M. LaVine	APPROVED BY: M. LaVine
	DRAWN DATE: 12/5/17	CHECKED DATE: 12/7/17	APPROVED DATE: 12/7/17
DO NOT SCALE DRAWING			SIZE: A3
			SCALE: 1:1
THIS DRAWING IS SOLELY THE PROPERTY OF NEWHAVEN DISPLAY INTERNATIONAL, INC. THE INFORMATION IT CONTAINS IS NOT TO BE DISCLOSED, REPRODUCED OR COPIED IN WHOLE OR PART WITHOUT WRITTEN APPROVAL FROM NEWHAVEN DISPLAY.			
			SHEET 1 OF 1